

ABL SHD 3000 LED Series Work Light



Description

The SHD 3000 heavy-duty LED work light series are designed to exceed everyday demands in all applications. Through stringent engineering and testing practices, these light fixtures are ensured to have the highest efficiency and durability in even the harshest operating conditions.

The SHD 3000 has the same current draw as a HID Ballast work lamp (40W) yet it outputs an impressive 3,000 effective lumens. 35% more effective lumens with no additional current draw! Class leading surge protection, protected lens and IP69K sealed electronics make this a superior low draw, high output rugged work lamp that is built to an OEM standard and not to a compromise.

Features and Benefits

- 12-24V DC multivolt
- Low 36W power consumption
- High 3000 effective lumen output
- 15 Grms @ 24-2000Hz vibration resistance
- IP68, IP69K IP protection
- Flood, Long Range, Wide Flood, and Asymmetric Flood light patterns

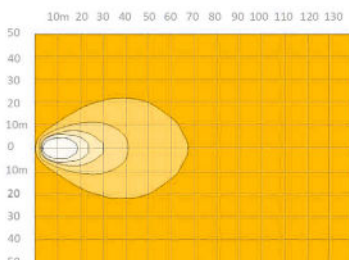
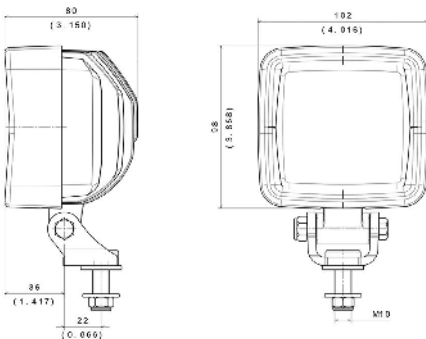
Applications

Heavy equipment, construction, mining, support vehicles, agriculture, forestry

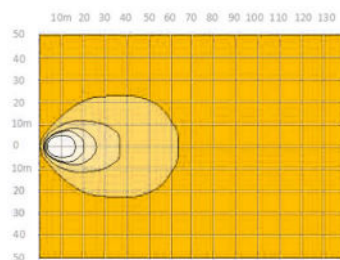
Tech Specs

Voltage	12-24V DC
Source	LED
Amperage	1.5A @ 24V DC
Wattage	36W
Lumens	3000 Lu
Connector	AMP 2 pin, DT 2 pin
Color Temperature	6000 K
Beam Pattern	Flood, Long Range, Wide Flood and Asymmetric Flood
Color	White
Mounting	Pedestal, suspended
IP Protection	IP68, IP69K
Polarity	Protected against reverse voltage
Electronic Thermal Management	Full output at +35°C ambient, 25 % dimmed at + 50°C ambient
Operating Temperature	-40°C to +85°C
Load Dump	36V Continuous / ISO 7637-2 Pulse 5a
Vibration Resistance	15 Grms from 24Hz to 2000Hz
Salt Spray Test	ISO 9227
Shock Resistance	60G
EMC	EMC ISO 13766 - ISO 14982 - ISO 12985 - CISPR25 Class 5
Warranty	5 Years

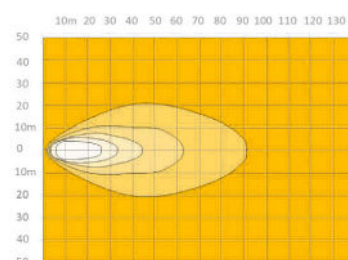
Part No.	Description
SHD3000LED-F	Flood, 3000Lu, 12-24V DC, 1.5A @ 24V DC, 36W
SHD3000LED-LR	Long Range, 3000Lu, 12-24V DC, 1.5A @ 24V DC, 36W
SHD3000LED-WF	Wide Flood, 3000Lu, 12-24V DC, 1.5A @ 24V DC, 36W
SHD3000LED-FA	Asymmetric Flood, 3000Lu, 12-24V DC, 1.5A @ 24V DC, 36W



SHD 3000 LED NEW FLOOD 3M -12"



SHD 3000 LED FLA NEW 3M -12"



SHD 3000 LED LR NEW 3M -8"



Authorised Importer and Master Distributor

