

ECCO EW2030

LED Forklift Warning & ARC Safety Light



Description

The EW2030R Arc Boundary Line is designed for material handling applications to provide a visual warning on mobile equipment. This LED device provides 180° of coverage by projecting a red boundary arced around the vehicle. This additional safety feature is especially useful when operating in confined spaces and near blind corners (e.g. warehouse racking). Featuring a 12-80 VDC operation, a stainless-steel mounting bracket and PMMA acrylic lens, the EW2030R is extremely resistant to impacts and vibration.

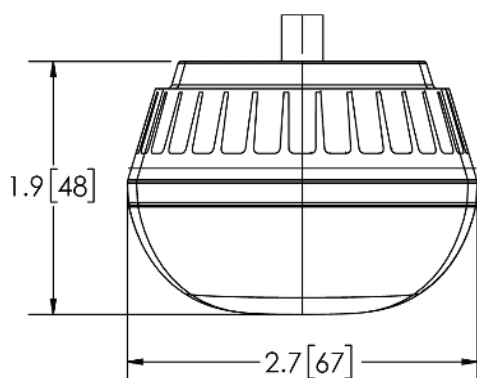
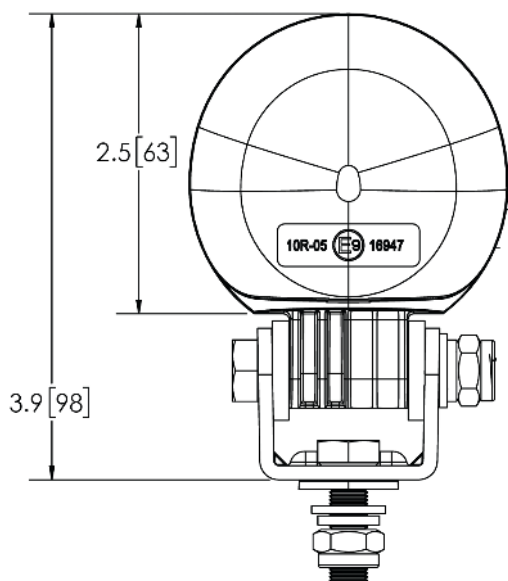
Features and Benefits

- Arc beam up to 180°
- Convex polycarbonate lens
- Highly efficient one 6-watt LED
- Crisp arc boundary line
- 12" cable length
- Stainless steel mounting bracket
- Works well with EW2110 Series, EW2010 Series Arrow, EW2015R Boundary,
- EW2025R Boundary, or EW2002 Spot

Tech Specs

Voltage	12-80V DC
Lens Color	Clear
LED Color	Red
Temperature Range	-40°F to +158°F (-40°C to +70°C)
Lumens	100
Amps	1.04
Watts	13.3
Standards Compliance	R10, IP67, UL, RoHS
Warranty	5 Years

Part No.	Description
EW2030R	12-80V DC, Red LED Color, 100 Lumens, 1.04A, 13.3W



Authorised Importer and Master Distributor

