

SHOVEL LIGHTING

Heavy Duty Industrial Mining Applications



LED | LIGHTING CATALOG



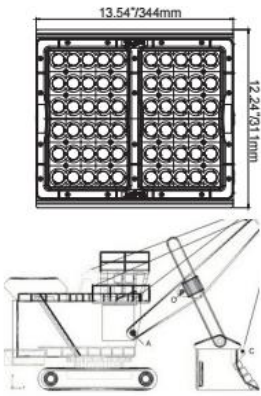
ENGINEERED LIGHTING SOLUTIONS

Vision X Lighting fixtures are not merely lighting systems, they are engineered lighting solutions. They provide increased efficiency, increased safety, decreased environmental impact, and decreased costs. Vision X LED lights offer a large increase in energy efficiency over older technologies while also increasing the safety and productivity of the working environment by outputting 80% more light than the fixtures used previously.





SOLUTION PROCESS



2D BLUEPRINT

Vision X Lighting begins each project with a customer provided list of machines to be retrofitted, then gathers the technical information for those machines.



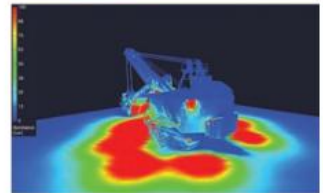
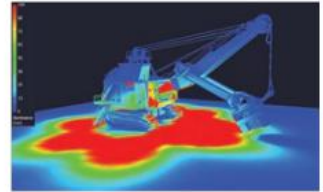
3D MODEL

A 3D model is built to the customer's specifications, then carried over into the rendering.



SIMULATION RENDER

A simulation rendering ensures the final product will meet the customer's lighting requirements.



SOLUTION

Vision X Lighting creates a complete breakdown of the customer's specific needs to meet their safety requirements.



SHOVEL LIGHTING FITOUT GUIDE SAMPLE



1 AC FLOOD



WORK AREA LIGHTING AC FLOOD SERIES WORK LIGHT

Number of Fixtures : 10-12
Location : **House, Boom**
Beam Pattern : **90° Wide Flood**
Part # : LSG066090PH

2 AC J-BOX



HOUSE & TRACK LIGHTING J-BOX SERIES WORK LIGHT

Number of Fixtures : 4-6
Location : **Interior House, Track**
Beam Pattern : **180° Ultra Wide Flood**
Part # : LSG0225180PH

3 JBOX 10W



EQUIPMENT & OVER-DOOR LIGHTING AC-SERIES WORK LIGHT

Number of Fixtures : 2-4
Location : **Over-Door**
Beam Pattern : **180° Ultra Wide Flood**
Part # : LSGSM40180PH



4 UMX-40



SAFETY | KILLZONE LIGHTING
XIL-SERIES WORK LIGHT

Number of Fixtures : **Equipment Specific**
Location : **L, R, Rear Sides**
Beam Pattern : **30/65° Elliptical**
Part # : **XIL-UM40E3065R**

POWER SUPPLY



P-JBOXPSE



XPC-PS185-48A



SHOVEL & DRAGLINE LIGHTING

Product Information

Designed to directly bolt in, these OEM replacements will out perform the factory lighting by over 80% on the effective work area. Simple quick connect wiring allows for one time wiring and no further electrical wiring to change the fixture. 3D analysis allows for site specific aiming with our patented ProTrac aiming system. Industry leading LED light output, size, weight and reliability for reduced unscheduled maintenance. **High Voltage Available**

Features and Benefits:

- 1000 Watt Metal Halide Replacement
- ProTrac Aiming System
- IP-68/IP69K Rated



SPECIFICATIONS

MECHANICAL

Fixture Weight:	54.6 lbs (24.77kg)
Shipping Weight:	62.60 lbs (28.39kg)
Mounting/Entries:	(1) 3/4" NPT - TOP (2) 3/4" NPT 90° - SIDES (2) 3/4" NPT 45° - SIDES

TECHNICAL

LED:	XP-LHD(CREE)
Raw Lumens:	36,000 lm
Effective Lumens:	23,400 lm
Wattage:	280W
Amp Draw:	2.43A @ 115V AC 1.22A @ 230V AC 1.01A @ 277V AC
Color Temperature:	5,000 Kelvin
Operating Voltage:	90-305V AC High Voltage 127-431V AC
Operating Temperature:	-40°C - 60°C
Lifespan:	50,000 hrs
Frequency:	47-63Hz
THD:	<20% (@load≥50% / 115VAC,230VAC) (@load≥75% / 277VAC)
Power Factor:	≥ 0.98/115VAC ≥ 0.95/230VAC ≥ 0.92/277VAC
Short Circuit:	Constant Current Limiting, Recovers Automatically After Fault Condition is Removed

CONSTRUCTION

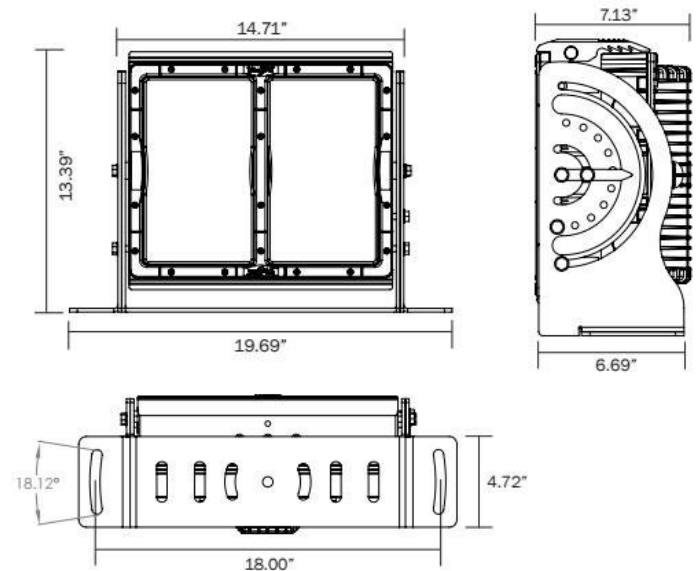
Housing:	Die-Cast 6061 Aluminum
Finish:	Gloss Grey & Gloss Yellow Marine Grade Powder Coat
Lens:	Polycarbonate

PART #:

BEAM PATTERN

LSG066010PH	10°
LSG066025PH	25°
LSG066040PH	40°
LSG066060PH	60°
1 LSG066090PH	90°
LSG06603065PH	30/65° (Elliptical)

2D DRAWING:



RATINGS:

EMC Emission:	Compliance to EN55015, EN55022 (CISPR22) Class B, EN61000-3-2 Class C (@Load ≥ 50%); EN61000-3-3
EMC Immunity:	Compliance to EN61000-4-2,3,4,5,6,8,11, EN61547, EN55024, Light Industry Level (surge immunity Line-Earth 4KV, Line-Line 2KV
Ingress Protection:	IP-68, IP69k
Vibration:	15.6 Grms
Warranty:	3 Years







HOUSE & TRACK LIGHTING

Product Information

Interior house and track lighting direct OEM replacement. Simple quick connect wiring allows for one time wiring and no further electrical wiring to change the fixture. Provides 200+ degree lighting other LED fixtures cannot produce. Industry leading LED light output, size, weight and reliability for reduced unscheduled maintenance.

SPECIFICATIONS

Mechanical Information:

Fixture Weight:	8 lbs (3.8kg)
Shipping Weight:	10 lbs (4.5kg)
Mounting/ Entries: (See Accessories)	(6) 3/4" NPT - SIDES

Electric Specifications:

Operating Voltage:	90 - 305VAC 127 - 431VDC
Lumens:	6000
Wattage:	50W
Operating Temp:	-40°C - 60°C
THD:	<20% (@load≥50% / 115VAC,230VAC) (@load≥75% / 277VAC)
Power Factor:	≥ 0.98/115VAC ≥ 0.95/230VAC ≥ 0.92/277VAC
Short Circuit:	Constant Current Limiting, Recovers Automatically After Fault Condition is Removed
Frequency:	47-63Hz
Vibration:	15.6Grms

Construction:

Housing:	Die-Cast 6061 Aluminum
Finish:	Gloss Grey
Lens:	Polycarbonate Lens

LED

LED:	MHB-B(CREE)
Amp Draw:	0.43A @ 115VAC 0.22A @ 230VAC 0.18A @ 277VAC
Lifespan:	50,000 hr



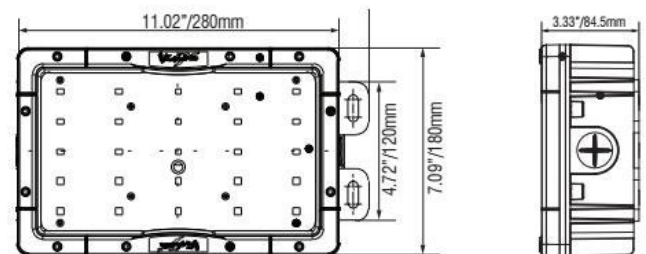
PART #:

2 LSG0224180PH

BEAM PATTERN

180°

2D DRAWING:



RATINGS:

EMC Emission:	Compliance to EN55022, EN61000-3-2 Class A, EN61000-3-3
EMC Immunity:	Compliance to EN55024, EN61000-4-2,3,4,5,6,8,11; light industry level(surge 2KV), criteria A
Ingress Protection:	IP-68, IP69k





EQUIPMENT & OVER-DOOR LIGHTING

Product Information

Direct bolt on over door and access panel lighting. Provides 200+ degree lighting other LED fixtures cannot match. Reduce unscheduled maintenance with robust mounts and guaranteed light operation. Optional colored covers for indicator lighting available in Red, Amber, Blue and Green. Industry leading LED light output, size, weight and reliability for reduced unscheduled maintenance.

SPECIFICATIONS

Mechanical Information:

Fixture Weight:	2 lbs (0.9kg)
Shipping Weight:	4 lbs (1.8kg)
Mounting/ Entries: (See Accessories)	(4) 3/4" NPT - SIDES

Electric Specifications:

Operating Voltage:	90 - 264VAC 127 - 370VDC
Lumens:	1000
Wattage:	10W
Operating Temp:	-40°C ~ 60°C
THD:	<20% (@load≥50% / 115VAC,230VAC) (@load≥75% / 277VAC)
Power Factor:	≥ 0.98/115VAC ≥ 0.95/230VAC ≥ 0.92/277VAC
Short Circuit:	Constant Current Limiting, Recovers Automatically After Fault Condition is Removed
Frequency:	47-63Hz
Vibration:	15.6Grms

Construction:

Housing:	Die-Cast 6061 Aluminum
Finish:	Gloss Grey
Lens:	Polycarbonate Lens

LED Light Engine/ Driver

LED:	5630(LG)
Amp Draw:	0.09A @ 115VAC 0.04A @ 230VAC 0.04A @ 277VAC
Lifespan:	50,000 hr



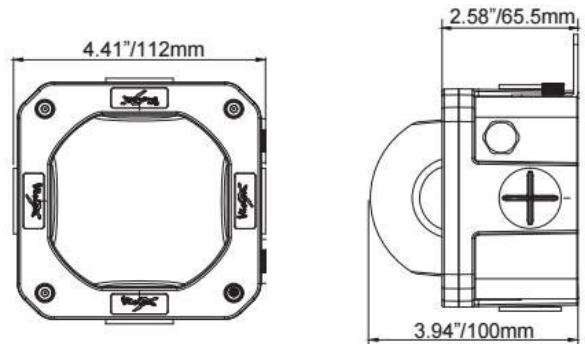
PART #:

3 LSGSM40180PH

BEAM PATTERN

180°

2D DRAWING:



RATINGS:

EMC Emission:	Compliance to EN55022, EN61000-3-2 Class A, EN61000-3-3
EMC Immunity:	Compliance to EN55024, EN61000-4-2,3,4,5,6,8,11; light industry level (surge 2KV), criteria A
Ingress Protection:	IP-68, IP69k





KILLZONE LIGHTING

Product Information

The Vision X Kill Zone system uses an elliptical pattern and a RED LED to paint a potential "Kill Zone" path around the counter weight of any shovel or can also indicate the swing path of any piece of equipment. This modular system can be scaled to any size or any application.

SPECIFICATIONS

MECHANICAL:

Fixture Weight:	2.65 lbs (1.2kg)
Mounting:	Single Bolt M10

ELECTRICAL:

Operating Voltage:	11-65VDC
Wattage:	21W
Operating Temp:	-40°C ~ 85°C
Vibration:	15.6Grms
Connector:	2 Pin Deutsch

CONSTRUCTION:

Housing:	Die-Cast 6061 Aluminum
Finish:	Gloss Black
Lens:	Polycarbonate Lens
Bracket:	2.5 mm Stainless Steel

LED

LED:	3W (XPG-CREE, RED)
Raw Lumens:	1,596 lm
Amp Draw:	1.75A @ 12v DC .438A @ 48v DC
Lifespan:	50,000 hrs

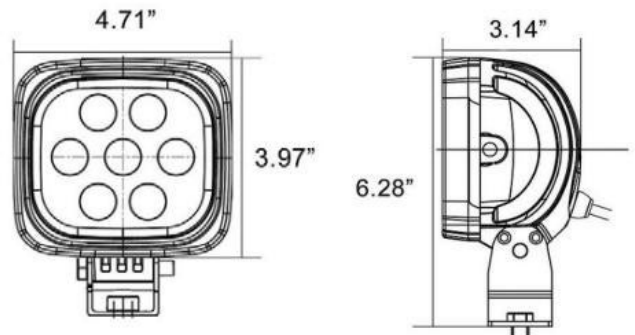
RATINGS:

EMC Emission:	(CISPR 25) Edition 3.0 (2008-03) Class 3
Ingress Protection:	IP-68, IP69k
Warranty:	3 Years



PART #:	BEAM PATTERN	HOUSING
4 XIL-UM44E3065R	Elliptical 30/60° RED	Square

2D DRAWING:





KILL ZONE POWER SUPPLY

Product Information

Application

For heavy mining equipment running on AC power, this power supply configuration converts AC power to 48v DC to effectively power the UM series lights. A minimum of one power supply is needed for every six UM lights.

SPECIFICATIONS

Technical Information:

Input Voltage:	90-305V AC
Output Voltage:	43-53V DC
Output Amperage:	3.8A @48v DC

Electric Specifications:

Operating Temp:	-40°C ~ 80°C
Vibration:	10~ 500Hz

RATINGS:

EMC Emission:	Compliance to EN551015, EN55022 (CISPR22) Class B, EN61000-3-2 Class C, EN6100-3-3
Ingress Protection:	IP-67, IP65

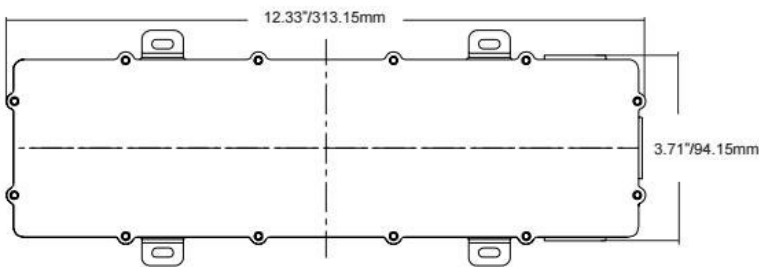


ITEM #:

XPC-PS185-48A

PART#

9903309

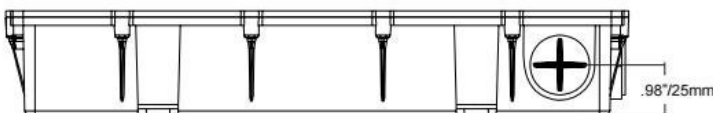


ITEM #:

P-JBOXPSE

PART#

9132617





Copyright © 2020 Vision X Lighting Revised: 10/1/2020

 **APS**
LIGHTING & SAFETY
www.aps-supply.com

APS USA
610 Gateway Center Way, Suites J & K
San Diego, CA 92102 USA
P: 1 619 263 4164
F: 1 619 263 6814

APS Australia
U48 / 9 Vision Street,
Wangara, WA 6065 Australia
Phone: 61 (8) 9302 2369
Fax: 61 (8) 6305 0047

APS: Singapore
Mexico
Colombia
Chile
Perú