

Vision
Global Lighting Systems

FLEET LIGHTING

Commercial Fleet Vehicle Applications



LED | LIGHTING CATALOG



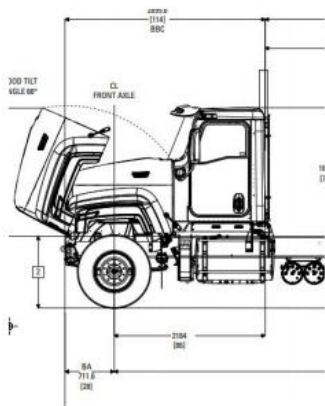
ENGINEERED LIGHTING SOLUTIONS

Vision X lighting fixtures are not merely lighting systems, they are engineered lighting solutions. They provide increased efficiency, increased safety, decreased environmental impact, and decreased costs. Vision X LED lights offer a large increase in energy efficiency over older technologies while also increasing the safety and productivity of the working environment by outputting 80% more light than the fixtures used previously.





SOLUTION PROCESS



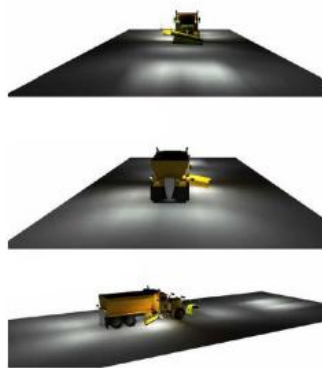
2D BLUEPRINT

Vision X Lighting begins each project with a customer provided list of vehicles to be retrofitted, then gathers the technical information for those vehicles.



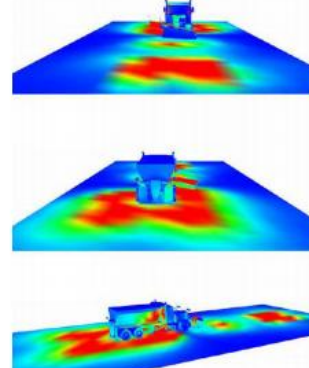
3D MODEL

A 3D model is built to the customer's specifications, then carried over into the rendering.



SIMULATION RENDER

A simulation rendering ensures the final product will meet the customer's lighting requirements.



SOLUTION

Vision X Lighting creates a complete breakdown of the customer's specific needs to meet their lighting and safety requirements.



BACK-UP / LOAD LIGHTING

The rear of your fleet vehicle in many cases will be one of the most important lighting zones that will require fixtures with high output and a wide coverage beam pattern.

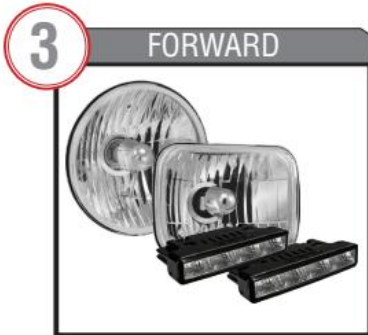
LED Lighting Options: **Dura Series, VL Series, Video Xtreme Light (Back up Camera), Utility Flood Series.**



SIDE SCENE / WORK LIGHTING

Being able to clearly see your work space as well as the side of your vehicle is always important no matter the application. Similar to back-up and load lighting, it will require fixtures that have both enough output and enough coverage to work safely.

LED Lighting Options: **Dura Series, VL Series, UMX Series, VX Work Scene Light.**



FORWARD FACING LIGHTS

Not everyone gets the luxury of driving to work during the daytime. Upgrading your forward facing lights will allow you to get to your work site safely and help reduce eye-strain for those long hauls.

LED & Halogen Lighting Options: **Sealed Beam Replacement, Replacement Bulbs, Snow Plow Kit, Daytime Running Lights, Light Bar Kits.**



ACCESSORY LIGHTING

From beacons to compartment lighting, no matter the type of fleet truck we have the lighting solution for every accessory application.

LED Lighting Options: **Strip Lights, Utility Strobe Beacons, Pro Pods.**

REVERSE / SCENE / WORK LED LIGHTING

VL SERIES: OVAL HOUSING



TECHNICAL DETAILS (EA)

DIMENSIONS (LxHxW)	5.59" x 4.39" x 2.21"
RAW LUMENS	3,168lm(6) 4,224 lm(8)
WATTAGE	30W(6) 40W(8)
WEIGHT	0.97 lbs(6) 1.5 lbs(8)
AMP DRAW @12V	2.5A(6) 3.33A(8)
VIBRATION RATING	15.6 Grms
WARRANTY	STANDARD

ITEM #	PART#	BEAM	LEDs
VLO050640	9911267	40°	6
VLO050840	9911274	40°	8

*Lights Above DO NOT INCLUDE Deutsch Connector

ITEM #	PART#	BEAM	LEDs
VWO050640	9911328	40°	6
VWO050840	9911335	40°	8

*Lights Above INCLUDE Deutsch Connector

VL SERIES: ROUND HOUSING



TECHNICAL DETAILS (EA)

DIMENSIONS (LxHxW)	4.33" x 5.16" x 2.33"
RAW LUMENS	2,294lm(5) 3,168lm(6) 4,752 lm(9)
WATTAGE	20W(5) 30W(6) 45W(9)
WEIGHT	0.88 lbs(5) 0.99 lbs(6) 1.5 lbs(9)
AMP DRAW @12V	1.67A(5) 2.5A(6) 3.75A(9)
VIBRATION RATING	15.6 Grms
WARRANTY	STANDARD

ITEM #	PART#	BEAM	LEDs
VLR040540	9927084	40°	5
VLR050640	9911281	40°	6
VLR050940	9911298	40°	9

*Lights Above DO NOT INCLUDE Deutsch Connector

ITEM #	PART#	BEAM	LEDs
VWR040540	9927107	40°	5
VWR050640	9911342	40°	6
VWR050940	9911359	40°	9

*Lights Above INCLUDE Deutsch Connector

VL SERIES: SQUARE HOUSING



TECHNICAL DETAILS (EA)

DIMENSIONS (LxHxW)	2.76" x 3.58" x 1.57" (4) 4.33" x 5.16" x 2.33" (5,6,9)
RAW LUMENS	2,294lm(4) 2,294lm(5) 3,168lm(6) 4,752 lm(9)
WATTAGE	12W(4) 20W(5) 30W(6) 45W(9)
WEIGHT	0.68 lbs(4) 0.88 lbs(5) 0.99 lbs(6) 1.5 lbs(9)
AMP DRAW @12V	1.0A(4) 1.67A(5) 2.5A(6) 3.75A(9)
VIBRATION RATING	15.6 Grms
WARRANTY	STANDARD

ITEM #	PART#	BEAM	LEDs
VLS030440	9927060	40°	4
VLS040540	9927091	40°	5
VLS050640	9911304	40°	6
VLS050940	9911311	40°	9

*Lights Above DO NOT INCLUDE Deutsch Connector

ITEM #	PART#	BEAM	LEDs
VWS030440	9927077	40°	4
VWS040540	9927114	40°	5
VWS050640	9911366	40°	6
VWS050940	9911373	40°	9

*Lights Above INCLUDE Deutsch Connector



DURALUX SERIES: DURA MINI



TECHNICAL DETAILS (EA)

DIMENSIONS (LxHxW)	2.76" x 3.62" x 1.94"
RAW LUMENS	2,000 lm (ea)
WATTAGE	12W(M460) 20W(M4M)
WEIGHT	0.88 lbs
AMP DRAW @12V	1.0A(M460) 1.67A(M4M)
VIBRATION RATING	15.6 Grms
WARRANTY	EXTENDED

ITEM #	PART#	BEAM
DURA-M460	9895499	60°
DURA-M4M	9911649	10°,25°
DURA-M4MKIT	9911656	10°,25°

DURALUX SERIES: DURA 4



TECHNICAL DETAILS (EA)

DIMENSIONS (LxHxW)	3.94" x 4.24" x 2.57"
RAW LUMENS	2,112 lm
WATTAGE	20W
WEIGHT	1.5 lbs
AMP DRAW @12V	1.67A
VIBRATION RATING	15.6 Grms
WARRANTY	EXTENDED

ITEM #	PART#	BEAM
DURA-410	9891132	10°
DURA-410KIT	9891187	10°
DURA-440	9141619	40°
DURA-440KIT	9892672	40°
DURA-460	9141527	60°

DURALUX SERIES: DURA 6



TECHNICAL DETAILS (EA)

DIMENSIONS (LxHxW)	5.38" x 4.19" x 2.72"
RAW LUMENS	3,696 lm
WATTAGE	30W
WEIGHT	2.5 lbs
AMP DRAW @12V	1.67A
VIBRATION RATING	15.6 Grms
WARRANTY	EXTENDED

ITEM #	PART#	BEAM
DURA-610	9891125	10°
DURA-610KIT	9891309	10°
DURA-640	9888378	40°
DURA-640KIT	9892696	40°
DURA-660	9888385	60°

DURALUX SERIES: FLUSH MOUNTS



ITEM #	PART#	LIGHT
DURA-M460FLUSH	9899138	Dura Mini
DURA-M460FLUSHR	9906614	Dura Mini
DURA-460FLUSH	9892993	Dura 4
DURA-660FLUSH	9893006	Dura 6

REVERSE / SCENE / WORK LIGHTING

UMX SERIES: UMX ROUND



TECHNICAL DETAILS (EA)	
DIMENSIONS (LxHxW)	4.49" x 5.47" x 2.99"
RAW LUMENS	3,696 lm
WATTAGE	70W
WEIGHT	2.43 lbs
AMP DRAW @12V	3.8A
VIBRATION RATING	15.6 Grms
WARRANTY	EXTENDED

ITEM #	PART#	BEAM
XIL-UMX4010	4004719	10°
XIL-UMX4040	9118215	40°
XIL-UMX4060	9118307	60°

UMX SERIES: UMX SQUARE



TECHNICAL DETAILS (EA)	
DIMENSIONS (LxHxW)	4.49" x 5.47" x 2.99"
RAW LUMENS	3,696 lm
WATTAGE	70W
WEIGHT	2.43 lbs
AMP DRAW @12V	3.8A
VIBRATION RATING	15.6 Grms
WARRANTY	EXTENDED

ITEM #	PART#	BEAM
XIL-UMX4410	4004726	10°
XIL-UMX4440	9118390	40°
XIL-UMX4460	9118482	60°

VX: WORK SCENE LIGHT



TECHNICAL DETAILS (EA)	
DIMENSIONS (LxHxW)	10.63" x 9.95" x 2.80"
RAW LUMENS	20,500 lm / 10,000
WATTAGE	125W / 75W
WEIGHT	7.28 lbs
AMP DRAW @12V	10.42A / 6.25A
VIBRATION RATING	15.6 Grms
WARRANTY	EXTENDED

ITEM #	PART#	MODEL
WSL-75M	9917337	STANDARD 75W
WSL-125M	9917320	HIGH 125W

VIDEO EXTREME: BACK-UP CAMERA LIGHT



TECHNICAL DETAILS (KIT)	
DIMENSIONS (LxHxW)	4.72" x 5.50" x 4.88"
RAW LUMENS	3,168 lm
WATTAGE	30W
WEIGHT	2.43 lbs
AMP DRAW @12V	2.5A
VIBRATION RATING	15.6 Grms
WARRANTY	EXTENDED

ITEM #	PART#	BEAM
VEL-4460CA72SS	9889856	60° (Light Only)
VEL-4460CA72SS-IF850	9889863	60° INFARED (Light Only)
VEL-CAM-MON7KIT	9892863	60° (Light + Monitor)
VEL-M7	9889870	Monitor



FORWARD FACING LIGHTING

VX HEADLIGHTS: SNOW PLOW KIT



MARKER LIGHTS NOT INCLUDED

TECHNICAL DETAILS (KIT)

DIMENSIONS (LxHxW)	6.96" x 6.96" x 3.86" (Light Only)
RAW LUMENS	8,420 lm
WATTAGE	84W
WEIGHT	4.4 lbs
AMP DRAW @12V	7A
VIBRATION RATING	15.6 Grms
WARRANTY	EXTENDED

ITEM #	PART#	BEAM
XIL-7RDSPKIT	9903972	Driving

LPX SERIES: LIGHT BAR KIT



TECHNICAL DETAILS (KIT)

DIMENSIONS (LxHxW)	12.21" x 2.06" x 2.45"
RAW LUMENS	9,504 lm
WATTAGE	90W
WEIGHT	5.68 lbs
AMP DRAW @12V	7.5A
VIBRATION RATING	15.6 Grms
WARRANTY	EXTENDED

ITEM #	PART#	BEAM
XIL-LPX9XPSPKIT	9899541	Mixed

DAYTIME RUNNING LIGHTS: LIGHT KIT



TECHNICAL DETAILS (KIT)

DIMENSIONS (LxHxW)	5.0" x 0.96" x 2.17"
RAW LUMENS	500 lm
WATTAGE	12W
WEIGHT	0.98 lbs
AMP DRAW @12V	1.0A
VIBRATION RATING	21.1 Grms
WARRANTY	EXTENDED

ITEM #	PART#	BEAM
XIL-DRL	9891972	60°

SEALED BEAM: HOUSING REPLACEMENT



TECHNICAL DETAILS (EA)

DIMENSIONS (LxHxW)	4.0" x 6.0" x 4.25"
	5.0" x 7.0" x 4.5"
	5.75" x 5.75" x 3.13"
	7.0" x 7.0" x 4.5"
WEIGHT	4x6" 2.0 lbs
	5x7" 3.4 lbs
	5.75" 1.5 lbs
	7" 3.4 lbs
WARRANTY	STANDARD

ITEM #	PART#	SIZE	BULB TYPE
VX-46	4004016	4x6"	9007
VX-57	4004023	5x7"	H4
VX-575	4004030	5.75"	9007
VX-7RD	4004047	7"	H4

*Includes (2) Housing only, DOES NOT INCLUDE bulb



ACCESSORY LIGHTING

UTILITY MARKET: STROBE BEACON



TECHNICAL DETAILS (EA)	
DIMENSIONS (LxHxW)	5.25" x 3.81" x 2.86"
AREA OF EFFECT	FULL 360°
WATTAGE	3.6W
WEIGHT	0.44 lbs
AMP DRAW @12V	0.3A @12V
VIBRATION RATING	15.6 Grms
WARRANTY	EXTENDED

ITEM #	PART#	BEAM
XIL-UBA	4002111	AMBER
XIL-UBB	4002128	BLUE
XIL-UBG	4002289	GREEN
XIL-UBR	4002135	RED
XIL-UBW	4001831	WHITE

UTILITY MARKET: STROBE BEACON 36 LED



TECHNICAL DETAILS (EA)	
DIMENSIONS (LxHxW)	5.25" x 3.81" x 2.86"
AREA OF EFFECT	FULL 360°
WATTAGE	7.2W
WEIGHT	0.44 lbs
AMP DRAW @12V	0.8A
VIBRATION RATING	15.6 Grms
WARRANTY	EXTENDED

ITEM #	PART#	COLOR	POWER
XIL-UB36A	9895321	AMBER	Deutsch
XIL-UB36B	9895154	BLUE	Deutsch
XIL-UB36G	9895178	GREEN	Deutsch
XIL-UB36R	9895338	RED	Deutsch
XIL-UB36W	9895352	WHITE	Deutsch
XIL-UBB36A	9895147	AMBER	Battery
XIL-UBB36B	9895161	BLUE	Battery
XIL-UBB36G	9895185	GREEN	Battery
XIL-UBB36R	9895345	RED	Battery
XIL-UBB36W	9895369	WHITE	Battery

STRIP LIGHT: STANDARD & TOUCH



TECHNICAL DETAILS (EA)	
LENGTH	7.4" x 0.92" x 0.59" 11.9" x 0.92" x 0.59"
RAW LUMENS	141 lm(7.5") 328 lm(12")
WARRANTY	EXTENDED

ITEM #	PART#	SIZE	TOUCH
XIL-ST7.5	9895499	7.5"	YES
XIL-SL7.5	9167534	7.5"	NO
XIL-ST12	9141701	12"	YES
XIL-SL12	9141794	12"	NO

PRO POD: INDIVIDUAL POD LIGHTING



TECHNICAL DETAILS (EA)	
DIMENSIONS	1.76" Diameter
RAW LUMENS	140 lm
CORD LENGTH	3 ft.
WARRANTY	EXTENDED

ITEM #	PART#	COLOR
XIL-PDA	9136219	AMBER
XIL-PDB	9136301	BLUE
XIL-PDG	9136394	GREEN
XIL-PDR	9136486	RED
XIL-PDW	9136127	WHITE



BULBS & SECURITY HARDWARE

HALOGEN: REPLACEMENT BULBS



ITEM #	PART#	WATTS	REPLACES	FILAMENT
VX-D9004	4001527	65/45W	9004	DUAL
VX-D9005	4001534	65W	9005	SINGLE
VX-D9006	4001558	55W	9006	SINGLE
VX-D9007	4001572	65/55W	9007	DUAL
VX-DH1	4001589	55W	H1	SINGLE
VX-DH10	4001633	42W	H10	SINGLE
VX-DH11	4001657	55W	H11	SINGLE
VX-DH13	4001664	55/60W	H13	SINGLE
VX-DH3	4001596	60/66W	H3	SINGLE
VX-DH4	4001602	50/55W	H4	DUAL
VX-DH7	4001619	55W	H7	SINGLE

*All Bulbs Come With a Extended Warranty

SECURITY HARDWARE: BOLTS



ITEM #	PART#	SIZE
XIL-SB0615	9893440	M6 X 15
XIL-SB0620	9893457	M6 X 20
XIL-SB0815	9893419	M8 X 15
XIL-SB0820	9893426	M8 X 20
XIL-SB0825	9893433	M8 X 25

*Includes (2) bolts and Special Locking Tool

SECURITY HARDWARE: NUTS



ITEM #	PART#	SIZE
XIL-SN06	9897349	M6
XIL-SN08	9893488	M8
XIL-SN10	9893471	M10
XIL-SN12	9893464	M12

*Includes (2) nuts and Special Locking Tool



Copyright © 2019 Visic

 **APS**
LIGHTING & SAFETY
www.aps-supply.com

APS USA
610 Gateway Center Way, Suites J & K
San Diego, CA 92102 USA
P: 1 619 263 4164
F: 1 619 263 6814

APS Australia
U48 / 9 Vision Street,
Wangara, WA 6065 Australia
Phone: 61 (8) 9302 2369
Fax: 61 (8) 6305 0047

APS: Singapore
Mexico
Colombia
Chile
Perú