

# EB5100 Series

## Low Profile LED Beacon



### Description

The Low Profile R65 Beacon utilises powerful LEDs, arranged to produce a 360° flash pattern by combining the solid-state, maintenance free long-life nature of LED technology. With additional features including multiple flash patterns, synchronisation and vigorous testing to the ECCO standard and OEM specifications. This high-performance range has improved EMC performance to CISPR 25 level 3, is robust and compact in a popular housing design and is available in four standard mounting options. This range is designed to maximise resilience to excessive vibration, increasing the life of the product and is backed by our five-year no-hassle warranty. Beacons with Amber LEDs (Amber or Clear lens) produce a simulated rotate that is R65 Class 1 compliant.

### Features and Benefits

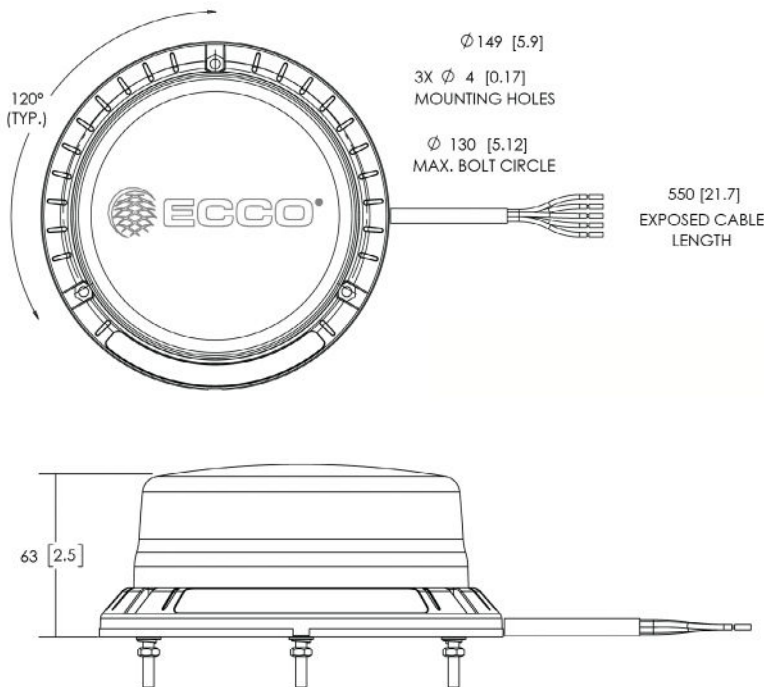
- Ultra compact, low profile beacon at 63mm tall
- SAE Class 1 Brightness\*
- Built tough with an aluminium base and reinforced polycarbonate lens
- 12 Flash Patterns, featuring ICAO
- Built to OEM specifications
- Four mounting options available - Single and 3 bolt, DIN pole or Magnetic
- Temperature Range: -30° to +50°C

### Tech Specs

Voltage	10-32V DC
Flash Pattern	12
Mount	Single, 3 Bolt, DIN Pole or Magnetic Mount
Dimensions (W x H x L)	5.9 x 2.83 x 5.9" inches (149 x 72 x 149 mm)
Approvals	R65, R10, CISPR25, IP69K
Warranty	5 Years

Part No.	Mount	Lens	LED Color
EB5101XX	Single Bolt	Amber or Clear	Amber or Green
EB5102XX	3 Bolt	Amber or Clear	Amber or Green
EB5103XX	DIN Pole	Amber or Clear	Amber or Green
EB5104XX	Magnetic Mount	Amber or Clear	Amber or Green

\*Replace 'XX' in Part Number with desired color lens (A = Amber, C = Clear) then colour LED (A = Amber, G = Green)



Authorised Importer and Master Distributor

