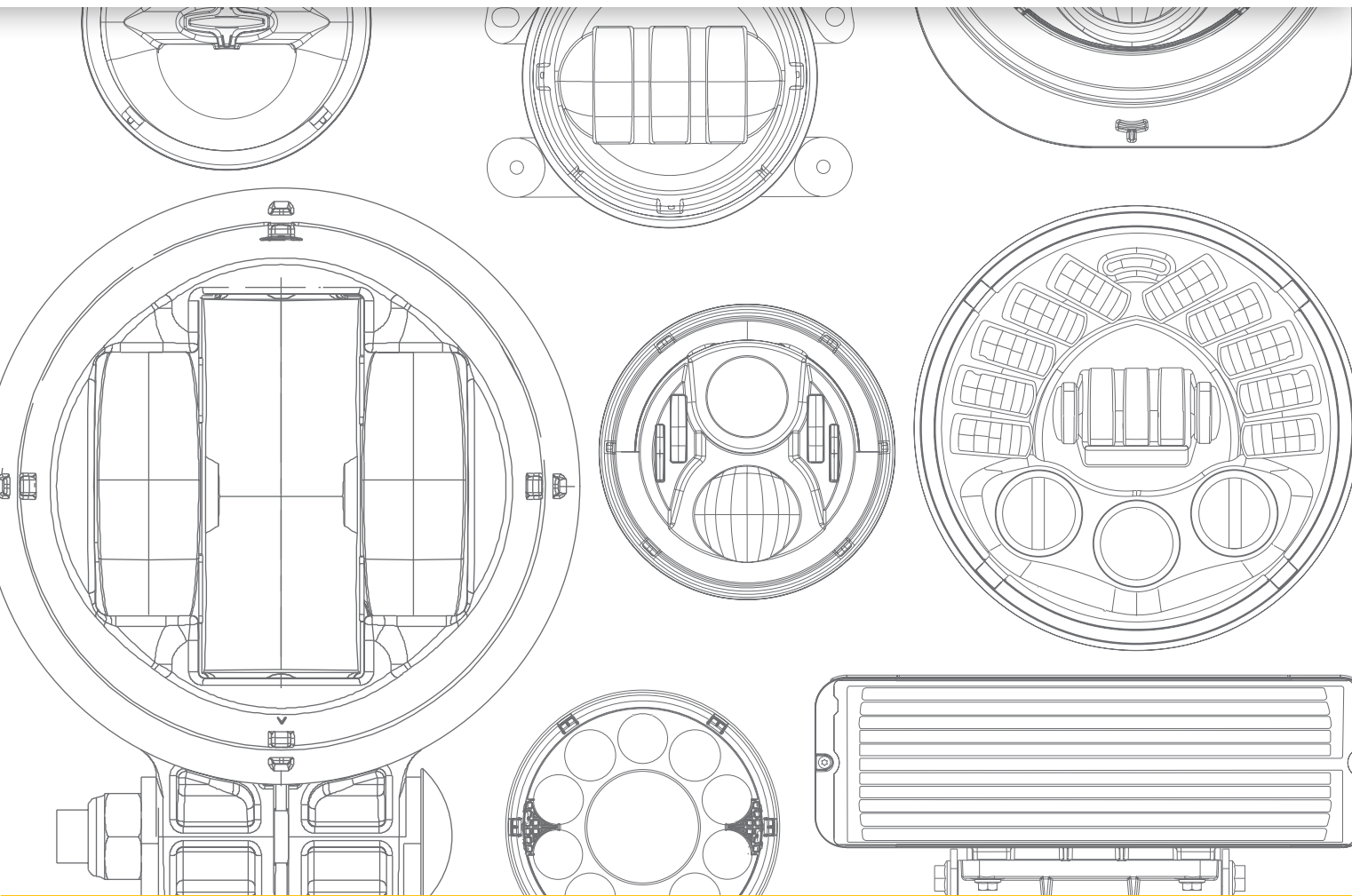


J.W. SPEAKER®
Engineered. Lighting. Solutions.

HEADLIGHT CATALOG



J.W. SPEAKER BRINGS SCIENCE & DESIGN TOGETHER.

We view vehicle lighting from the perspective that matters most — Yours. Our engineers advance the science of light further each day to improve your safety. Our designers make vehicles look more beautiful from every point of view. You only get this unique mix of **science & design** from authentic J.W. Speaker products.



TABLE OF CONTENTS

Regulations & Key Terms	4
Lumens & Beam Patterns	5
Color Temperature & IP Ratings	6
Automotive	7-19
Transport	20-40
SmartHeat®	41
Company History	42-43
Power Sports	44-62
Industrial	63-73
Index	74-75
OEM	76
Aftermarket	77



REGULATIONS

SURPASSING STANDARDS WORLDWIDE.

J.W. Speaker is committed to making the best products to be used legally on-road around the world. To do that, we design lights that meet and exceed the requirements for a variety of regulations:



The Federal Motor Vehicle Safety Standard regulates all automotive lighting, signaling, and reflective devices in the U.S.A. and is enforced by the Department of Transportation (**DOT**)



Many countries recognize the United Nations Economic Commission for Europe (**ECE**) Transport Division's regulations and mirror the ECE regulations in their own national requirements



SAE International develops standards for the engineering of powered vehicles mainly in the U.S.A. and Canada, including cars, trucks, boats, aircraft, and more



Transport Canada is responsible for developing regulations, policies, and services relating to transportation in Canada



The Australian Design Rules (**ADR**) are national standards for vehicle safety, anti-theft, and emissions

KEY TERMS

Daytime Running Light (DRL): Headlights that include DRL in their design will automatically switch on the daytime running lamp when the vehicle is moving forward, emitting a white light to increase the visibility of the vehicle during daylight conditions.

Front Position (FP): This part of a headlight provides added visibility of your vehicle to other drivers, particularly helpful for nighttime visibility while parked.

Left Hand Traffic (LHT): referring to which side of the road a driver uses. For instance, a driver in the UK is Left Hand Traffic and would use two LHT lights.

Right Hand Traffic (RHT): referring to which side of the road a driver uses. For instance, a driver in Canada is Right Hand Traffic would use two RHT lights.



LUMENS & BEAM PATTERNS

RAW LUMENS:

A measure of the **theoretical** output of a light

Calculated by multiplying the manufacturer's lumen rating for the LED by the number of LEDs in the finished light

Does not represent the actual light output as it doesn't account for thermal, assembly and optical losses that impact all lights

Example Calculation:

LED is rated at 100 Lumens

8 LEDs in the finished light

100 x 8 = 800 Raw Lumens

EFFECTIVE LUMENS:

A measure of the **actual** output of a light

Measured using a photometric testing device for an exact measurement of a finished light for an accurate value of light output

Represents the actual light output of the finished light after thermal, assembly and optical losses

Example Measurement:

Raw Lumens = 800

Losses = ~40% of Raw Lumens (800 x .4 = 320)

800 - 320 = 480 Effective Lumens

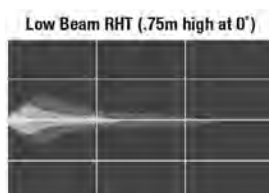
J.W. Speaker uses photometric testing devices and optical engineers to measure the Effective Lumens of our products to give you accurate light output values.

BEAM PATTERNS

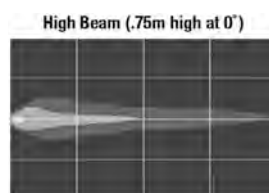
Each light pattern is designed and tested by optical engineers to give you the best possible beam pattern to drive behind.

Below are examples of the common beam patterns.

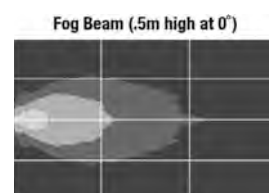
Our engineers design each product to project light in the areas you need it **and** comply with the legal requirements for on-road use in the countries the product is intended to be used in.



Illuminates across the road and ahead of the vehicle, with a cutoff to prevent glare for oncoming traffic



Bright light for distance illumination above and below the horizon, when not following or passing vehicles



Short and wide pattern to illuminate area just above the ground & in front of the vehicle

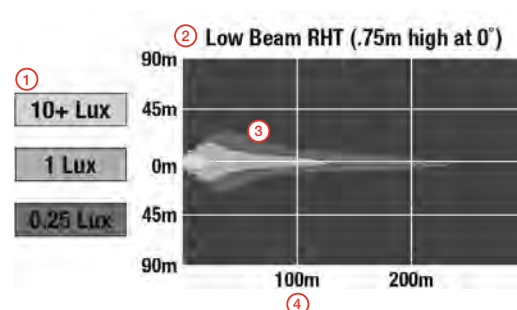
PARTS OF A LIGHT DIAGRAM

Lux Key¹: Intensity of the light measured

Title²: The type of beam pattern, and the height and angle of the light when it was measured

Light Pattern³: A "bird's eye view" showing the shape, intensity, and distance

Distance Markers⁴: Reference in meters (m) for the size and distance of the light pattern



COLOR TEMPERATURE & IP RATINGS

Measured in degrees Kelvin, color temperature describes how cool or warm the light emitted by a source is. Any object will emit light if it is heated to a high enough temperature. The color of the light will change in a predictable way as the temperature increases, shown on the Kelvin Scale.

Warm: 0 to 3,000K

Used in living spaces or retail stores
 Similar to the rising and setting sun
 Can fatigue eyes and make people feel tired

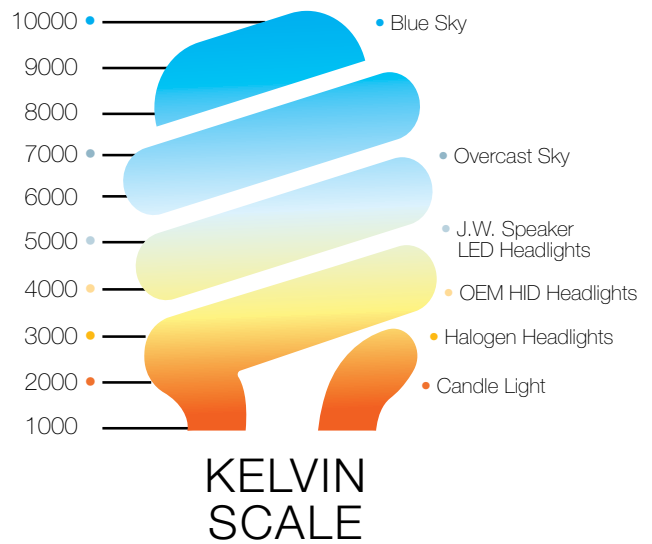
Neutral White: 3,500 to 4,900K

Used in bathrooms, offices, classrooms & malls
 Clean and neutral lighting that is inviting
 Promotes efficiency and similar to daylight

Cool: 5,000-7,000K

Used in hospitals, manufacturing, & construction areas
 Promotes alertness and attention to detail
 Mimics daylight and makes people feel more awake

J.W. Speaker uses LEDs and designs lights with a color temperature of 5,000K to give drivers crisp, white light for the best visibility, and to promote alertness and safety.



Color temperature does not measure or indicate the physical heat coming from a light source.

IP RATINGS

The Ingress Protection (IP) Code outlines a system of classification for the protection of electrical enclosures against the intrusion of foreign bodies like tools, fingers, dust, and moisture. The system of classification was specified by the International Electrotechnical Commission and is officially designated as IEC 60529.

FIRST # - DEGREE OF INGRESS PROTECTION

The degree of protection against contact with moving parts and the degree that the equipment is protected against solid foreign bodies intruding into an enclosure.

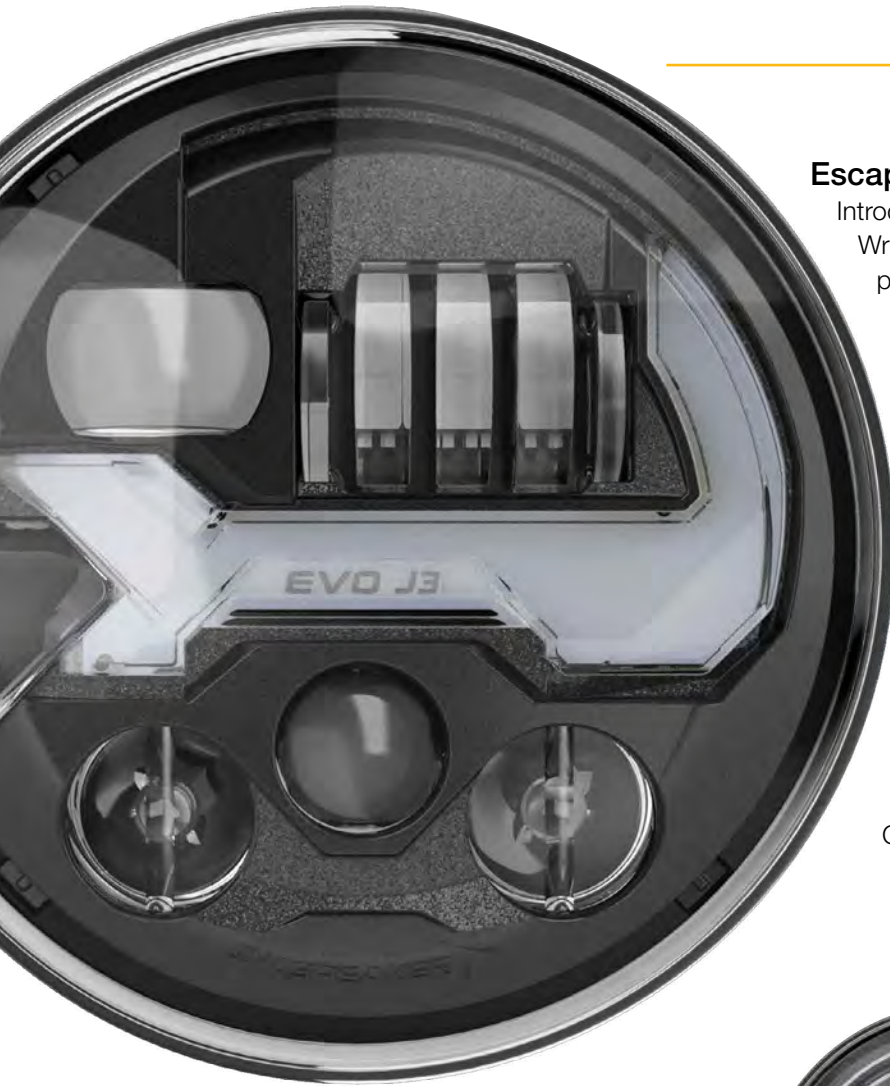
IP #	DESCRIPTION
0	No protection provided.
1	Protection against entry of objects larger than 50 square mm.
2	Protection against entry of objects larger than 12 square mm.
3	Protection against entry of objects larger than 2.5 square mm.
4	Protection against entry of objects larger than 1.0 square mm.
5	Protection against entry of dust in sufficient quantity to prevent satisfactory operation.
6	Complete protection against entry dust.

SECOND # - DEGREE OF MOISTURE PROTECTION

The degree of protection for the equipment inside the enclosure against the harmful entry of various forms of moisture (e.g. dripping, spraying, submersion, etc.)

IP #	DESCRIPTION
0	No protection provided.
1	Protection against drops of water falling vertically.
2	Protection against drops of water falling vertically when the light assembly is tilted up to 15 degrees from its normal position.
3	Protection from entry of water spray from angle of up to 60 degrees from vertical.
4	Protection from entry of water splashes or spray from any direction.
5	Protection from a low pressure jet of water in any direction.
6	Protection against heavy seas or a strong jet of water in any direction.
7	Protection against immersion up to 1 meter.
8	Protection against submersion over 1 meter.





Escape the standard.

Introducing the latest technology in lighting for Jeep® Wranglers. The EVO J3 is the first street-legal, plug & play Jeep headlight with a built-in turn signal. Powerful LEDs and carefully engineered light patterns give you the best performance and design available whether on the road or exploring off-road.

Light your adventure all year round.

The heated version of the EVO J3 features SmartHeat® technology to de-ice lenses for the best safety and visibility.

Customizing & control at your fingertips.

Unlock more control and features in the EVO J3 using the new **J-Link™ mobile app**. Customize your startup sequence, access the Off-Road Mode and lead the trail with Guide Mode.

PRODUCT SPECIFICATIONS

Raw Lumen Output:

3,600 (High Beam); 3,020 (Low Beam)

Effective Lumen Output:

1,320 (High Beam); 1,201 (Low Beam)

Candela Output:

68,800 (High Beam); 24,800 (Low Beam)

Connector/Wiring:

H13 Delphi 15326813

Operating Voltage:

9-16V DC

Current Draw:

Low Beam: 2.33A @ 12V DC

High Beam: 3.25A @ 12V DC

Front Turn: 3.00A @ 12V DC

Daytime Running Light (DRL): 3.00A @ 12V DC

Front Position: 0.45A @ 12V DC

Retrofit Information:

Jeep JK 2010-2018

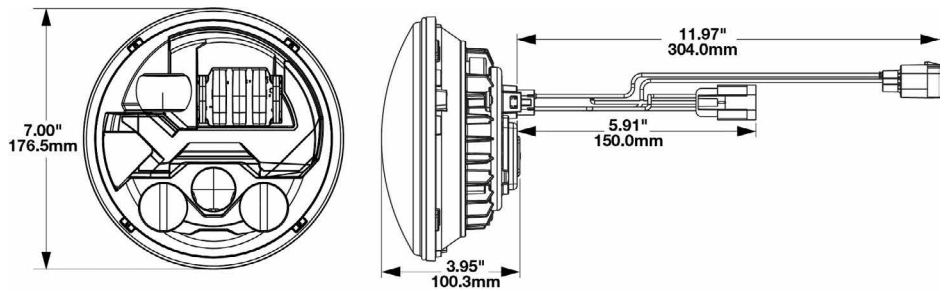
Standards:



Jeep is a registered trademark of FCA US LLC.



EVO J3™

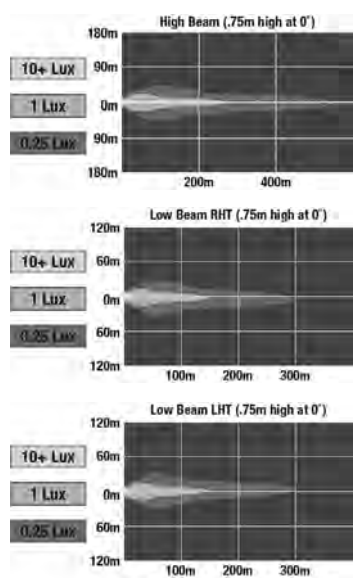


HEATED

PART #	BEZEL	DESCRIPTION
0555613	Graphite	DOT/Kit of 2
0557213	Black	DOT/Kit of 2
0555663	Graphite	ECE/RHT/Kit of 2
0557243	Black	ECE/RHT/Kit of 2
0555623	Graphite	ECE/LHT/Kit of 2
0557223	Black	ECE/LHT/Kit of 2

NON-HEATED

PART #	BEZEL	DESCRIPTION
0555593	Graphite	DOT/Kit of 2
0557193	Black	DOT/Kit of 2
0555653	Graphite	ECE/RHT/Kit of 2
0557233	Black	ECE/RHT/Kit of 2
0555603	Graphite	ECE/LHT/Kit of 2
0557203	Black	ECE/LHT/Kit of 2



UNLOCK FEATURES WITH
J-LINK™



6145 J2 FOG LIGHT



PRODUCT SPECIFICATIONS

Raw Lumen Output:
1,080

Effective Lumen Output:
610

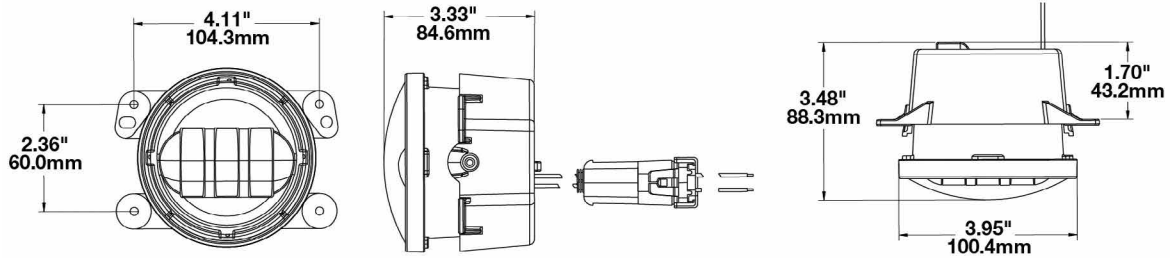
Connector/Wiring:
Packard 12059183

Operating Voltage:
10-15V DC

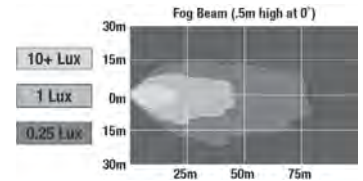
Current Draw:
1.60A @ 12V DC

Retrofit Information:
4" Round; Jeep Wrangler JK 2007- 2018

Standards:



PART #	BEZEL	DESCRIPTION
0554413	Carbon Fiber	SAE/ECE/Fog/Kit of 2
0554573	Black	SAE/ECE/Fog/Kit of 2



6146 FOG LIGHT

PRODUCT SPECIFICATIONS

Raw Lumen Output:
1,080

Effective Lumen Output:
610

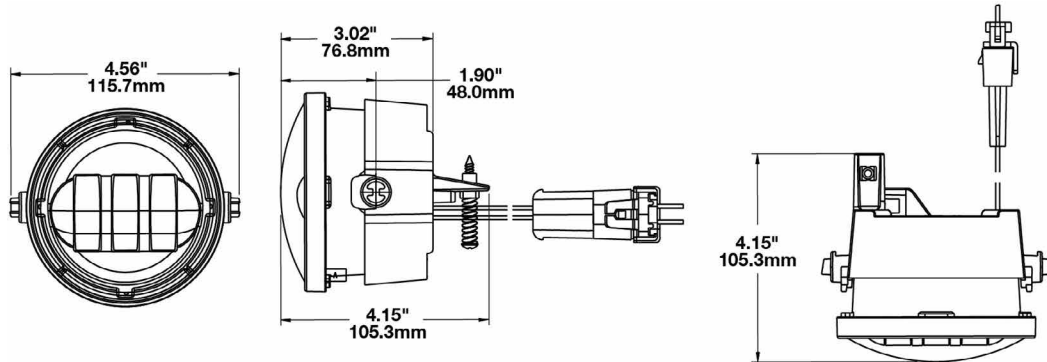
Connector/Wiring:
Packard 12059183

Operating Voltage:
10-15V DC

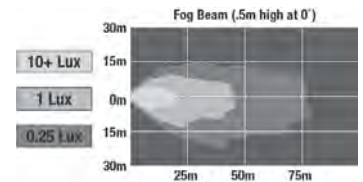
Current Draw:
1.6A @ 12V DC

Retrofit Information:
4" Round; 2005-2014 Ford F-150s

Standards:



PART #	BEZEL	DESCRIPTION
0549671	Black	SAE/ECE/Fog/Kit of 2 for 2005-2010 Ford F-150
0549681	Chrome	SAE/ECE/Fog/Kit of 2 for 2005-2010 Ford F-150
0549651	Black	SAE/ECE/Fog/Kit of 2 for 2011-2014 Ford F-150
0549661	Chrome	SAE/ECE/Fog/Kit of 2 for 2011-2014 Ford F-150



8700 EVO 2 DUAL BURN



PRODUCT SPECIFICATIONS

Raw Lumen Output:

3,200 (High Beam); 1,770 (Low Beam)

Effective Lumen Output:

1,260 (High Beam); 750 (Low Beam)

Candela Output:

71,500 (High Beam); 35,003 (Low Beam)

Connector/Wiring:

H4

Operating Voltage:

9-32V DC

Current Draw:

Heated High Beam: 4.20A @ 12V; 2.30A @ 24V DC

High Beam: 3.50A @ 12V; 1.80A @ 24V DC

Low Beam: 2.00A @ 12V; 1.10A @ 24V DC

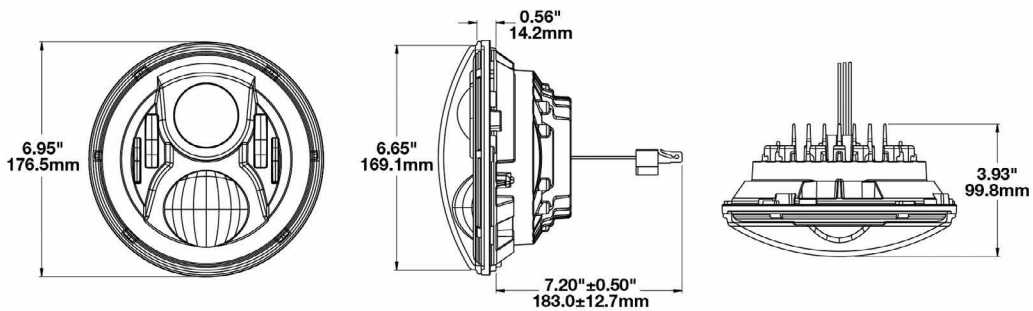
Front Position: 0.16A @ 12V; 0.10A @ 24V DC

DRL: 1.60A @ 12V; 0.80A @ 24V DC

Retrofit Information:

7" Round (PAR56)

Standards:



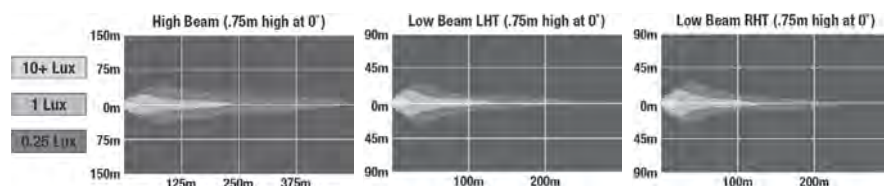
HEATED

PART #	BEZEL	DESCRIPTION
0556281	Black	DOT/High/Low
0556291	Chrome	DOT/High/Low
0556301	Black	ECE/RHT/High/Low/FP/DRL
0556311	Chrome	ECE/RHT/High/Low/FP/DRL
0556321	Black	ECE/LHT/High/Low/FP/DRL
0556331	Chrome	ECE/LHT/High/Low/FP/DRL

NON-HEATED

PART #	BEZEL	DESCRIPTION
0554941	Black	DOT/High/Low
0554961	Chrome	DOT/High/Low

PART #	ACCESSORIES
3156561	Panel Mount Bucket Assembly
3156351	Mounting Ring Kit for 7" Round (PAR56) Headlights
3266081	Jumper Harness H4/H13
8000381	Anti-Flicker Harness H4/H4
8000311	Anti-Flicker Harness H4/H13



8700 EVO 2 PRO

PRODUCT SPECIFICATIONS

Raw Lumen Output:

4,170 (High Beam); 2,340 (Low Beam)

Effective Lumen Output:

1,340 (High Beam); 694 (Low Beam)

Candela Output:

84,700 (High Beam); 30,600 (Low Beam)

Connector/Wiring:

H4

Operating Voltage:

9-32V DC

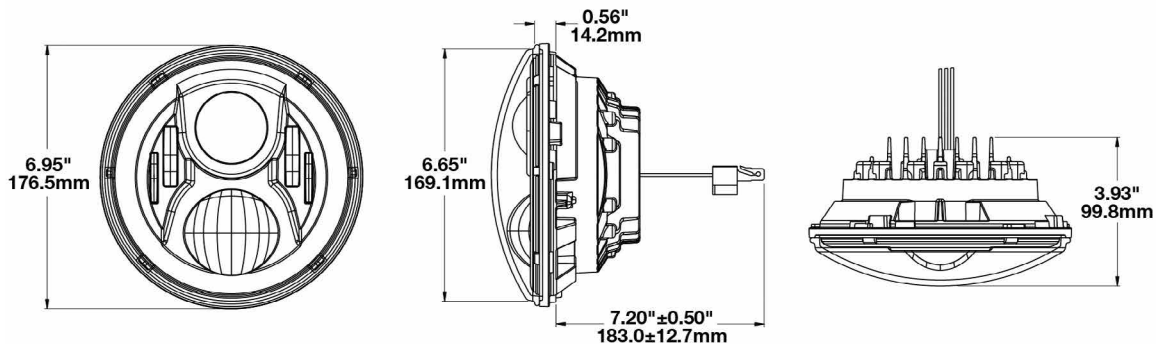
Current Draw:

High Beam: 3.60A @ 12V; 1.80A @ 24V DC
 Low Beam: 2.00A @ 12V; 1.10A @ 24V DC
 Front Position: 0.16A @ 12V; 0.10A @ 24V DC
 DRL: 1.60A @ 12V; 0.80A @ 24V DC

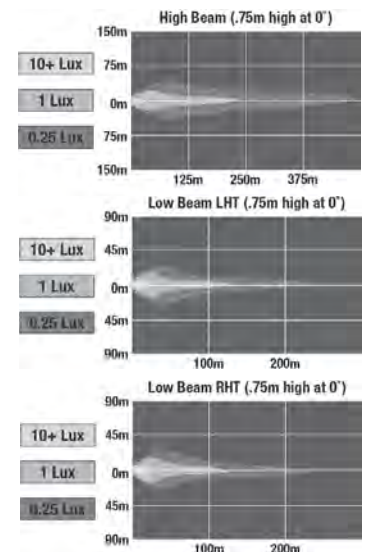
Retrofit Information:

7" Round (PAR56)

Standards:



PART #	BEZEL	DESCRIPTION	PART #	ACCESSORIES
0556981	Black	ECE/RHT/High/Low	3156561	Panel Mount Bucket Assembly
0556971	Chrome	ECE/RHT/High/Low	3156351	Mounting Ring Kit for 7" Round (PAR56) Headlights
0556961	Black	ECE/LHT/High/Low	3266081	Jumper Harness H4/H13
0556951	Chrome	ECE/LHT/High/Low	8000311	Anti-Flicker Harness H4/H13



8700 EVO J CLASSIC



PRODUCT SPECIFICATIONS

Raw Lumen Output:

3,200 (High Beam); 1,770 (Low Beam)

Effective Lumen Output:

1,260 (High Beam); 750 (Low Beam)

Candela Output:

71,500 (High Beam); 35,003 (Low Beam)

Connector/Wiring:

H13

Operating Voltage:

9-16V DC

Current Draw:

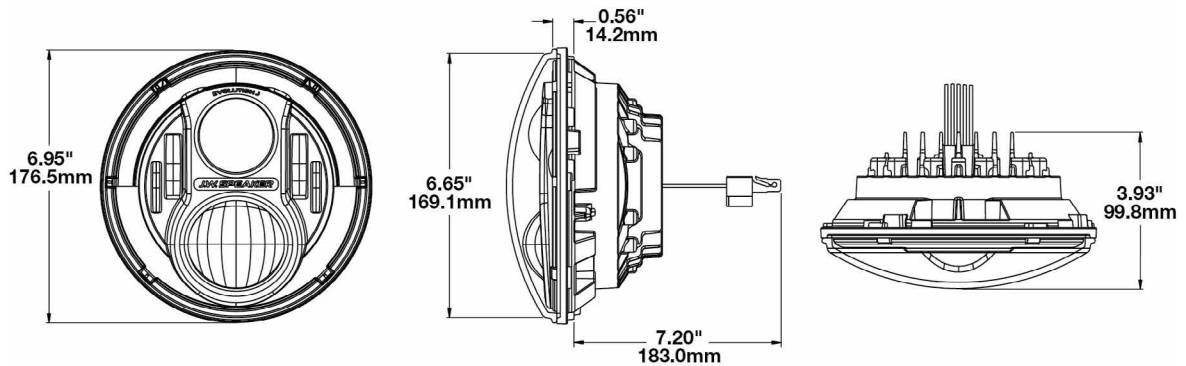
High Beam: 4.2A @ 12V DC

Low Beam: 2.0A @ 12V DC

Retrofit Information:

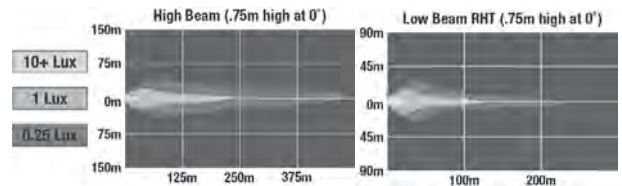
7" Round (PAR56); Jeep Wrangler JK 2007-2018

Standards:



PART #	BEZEL	DESCRIPTION
0556793	Black	DOT/ECE/High/Low/Kit of 2

PART #	ACCESSORIES
3156561	Panel Mount Bucket Assembly
3156351	Mounting Ring Kit for 7" Round (PAR56) Headlights
8000381	Anti-Flicker Harness H4/H4



8700 EVOLUTION 2R

PRODUCT SPECIFICATIONS

Raw Lumen Output:

3,200 (High Beam); 1,770 (Low Beam)

Effective Lumen Output:

1,260 (High Beam); 750 (Low Beam)

Candela Output:

71,500 (High Beam); 35,003 (Low Beam)

Connector/Wiring:

Delphi 33500006

Operating Voltage:

9-16V DC

Current Draw:

High Beam: 4.00A @ 12V DC

Low Beam: 2.70A @ 12V DC

Retrofit Information:

Jeep® Renegades

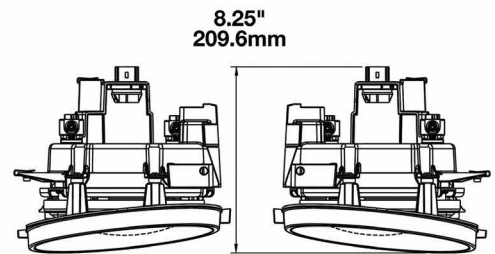
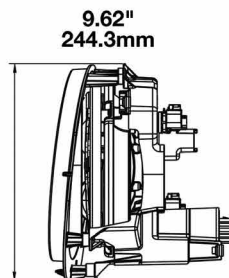
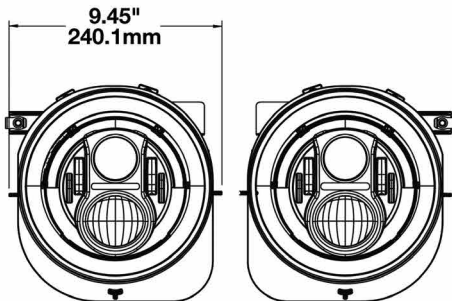
Standards:



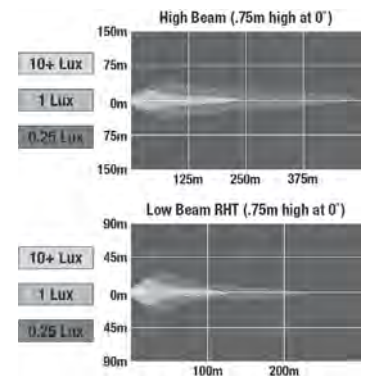
CHROME, RH & LH KIT



BLACK, RH



PART #	BEZEL	DESCRIPTION
0554263	Chrome	DOT/High/Low/Kit of 2
0553623	Black	DOT/High/Low/Kit of 2



8700 EVOLUTION J2



PRODUCT SPECIFICATIONS

Raw Lumen Output:

3,200 (High Beam); 1,770 (Low Beam)

Effective Lumen Output:

1,260 (High Beam); 750 (Low Beam)

Candela Output:

71,500 (High Beam); 35,003 (Low Beam)

Connector/Wiring:

H13 Delphi 15326813

Operating Voltage:

9-16V DC

Current Draw:

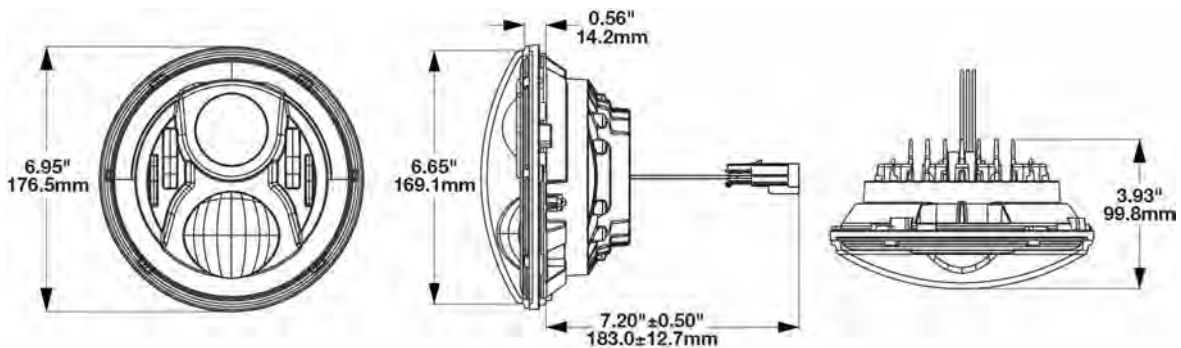
High Beam: 4.20A @ 12V DC

Low Beam: 2.00A @ 12V DC

Retrofit Information:

7" Round (PAR56); Jeep Wrangler JK 2007-2018

Standards:



KIT OF 2 HEADLIGHTS

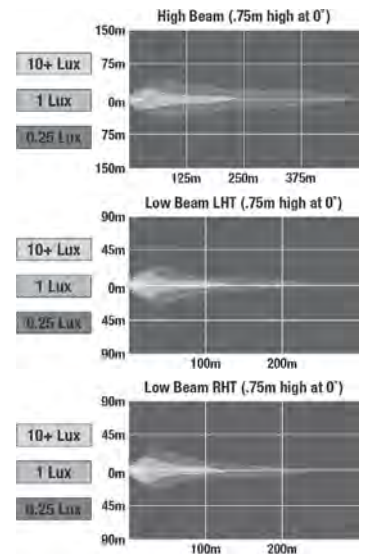
PART #	BEZEL	DESCRIPTION
0553973	Carbon Fiber	DOT/High/Low/Kit of 2
0554543	Black	DOT/High/Low/Kit of 2
0553983	Carbon Fiber	ECE/RHT/High/Low/Kit of 2
0554553	Black	ECE/RHT/High/Low/Kit of 2
0553993	Carbon Fiber	ECE/LHT/High/Low/Kit of 2
0554563	Black	ECE/LHT/High/Low/Kit of 2

PART # ACCESSORIES

5868171	Single Mounting Ring Kit RH
5868181	Single Mounting Ring Kit LH
8200461	2017-18 Jeep JK Mounting Ring Kit

SINGLE HEADLIGHT

PART #	BEZEL	DESCRIPTION
0553971	Carbon Fiber	DOT/High/Low
0554541	Black	DOT/High/Low
0553981	Carbon Fiber	ECE/RHT/High/Low
0554551	Black	ECE/RHT/High/Low
0553991	Carbon Fiber	ECE/ LHT/High/Low
0554561	Black	ECE/ LHT/High/Low



PRODUCT SPECIFICATIONS

Raw Lumen Output:

2,250 (High Beam); 2,830 (Low Beam)

Effective Lumen Output:

898 (High Beam); 782 (Low Beam)

Candela Output:

73,200 (High Beam); 29,800 (Low Beam)

Connector/Wiring:

H4 Connector - AMP (#172615-2)

Operating Voltage:

9-32V DC

Current Draw:

Heated: 3.30A @ 12V; 1.67A @ 24V DC

Non-Heated: 2.10A @ 12V; 1.00A @ 24V DC

Retrofit Information:

4" x 6" Rectangle; 1A1 and 2A1 Sealed Beams

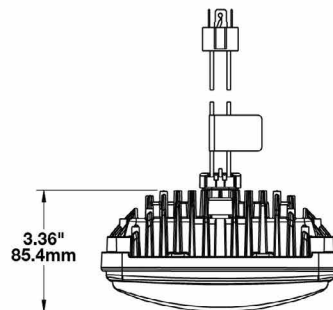
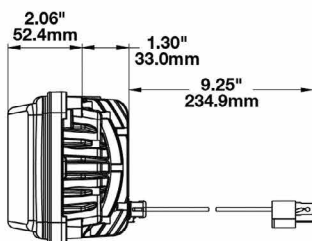
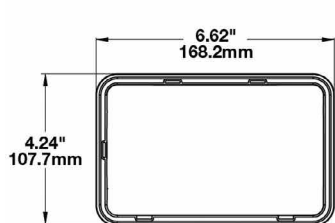
Standards:



LOW BEAM, HEATED



HIGH BEAM, NON-HEATED

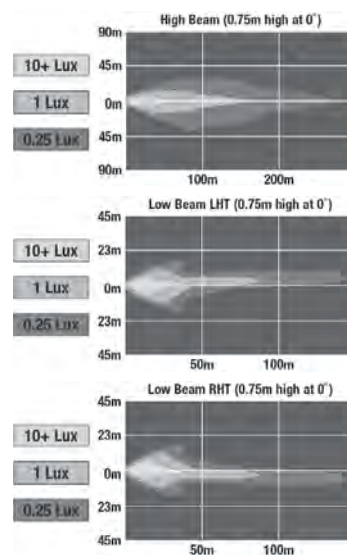


HEATED

PART #	BEZEL	DESCRIPTION
0552651	Black	DOT/ECE/RHT/Low
0551771	Chrome	DOT/ECE/RHT/Low
0552661	Black	ECE/LHT/Low
0552091	Chrome	ECE/LHT/Low
0552671	Black	DOT/ECE/High
0551781	Chrome	DOT/ECE/High

NON-HEATED

PART #	BEZEL	DESCRIPTION
0552551	Black	DOT/ECE/RHT/Low
0551371	Chrome	DOT/ECE/RHT/Low
0552561	Black	ECE/LHT/Low
0551391	Chrome	ECE/LHT/Low
0552571	Black	DOT/ECE/High
0551381	Chrome	DOT/ECE/High



8900 EVOLUTION 2



PRODUCT SPECIFICATIONS

Raw Lumen Output:

2,640 (High Beam); 2,250 (Low Beam)

Effective Lumen Output:

1,200 (High Beam); 975 (Low Beam)

Connector/Wiring:

H4

Operating Voltage:

10-32V DC

Current Draw:

High Beam: 1.94A @ 12V; 1.03A @ 24V DC

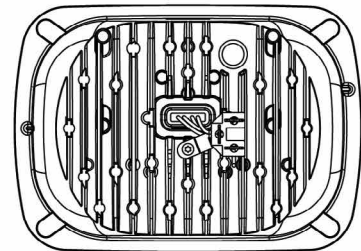
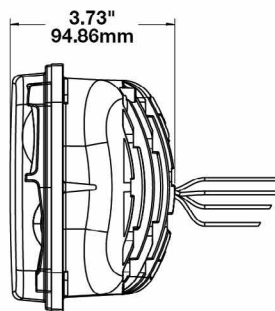
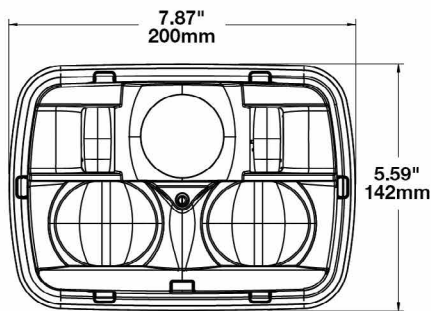
Low Beam: 1.67A @ 12V; 0.87A @ 24V DC

Front Position: 0.22A @ 12V; 0.16A @ 24V DC

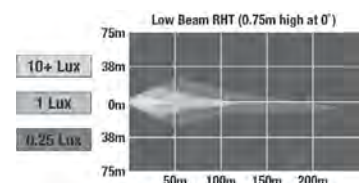
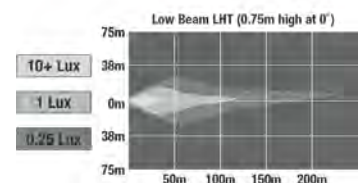
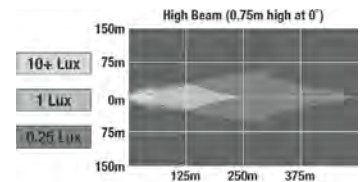
Retrofit Information:

5" x 7" Rectangle; 2B1 Sealed Beams

Standards:



PART #	BEZEL	DESCRIPTION
0554491	Black	DOT/ECE/RHT/High/Low/FP
0554471	Chrome	DOT/ECE/RHT/High/Low/FP
0554451	Black	ECE/LHT/High/Low/FP
0554431	Chrome	ECE/LHT/High/Low/FP



If your vehicle is operated in the United States you do NOT need to connect the Front Position wire (red) unless your vehicle is equipped with a front position light.

PRODUCT SPECIFICATIONS

Raw Lumen Output:

3,015 (High Beam); 2,250 (Low Beam)

Effective Lumen Output:

1,320 (High Beam); 975 (Low Beam)

Connector/Wiring:

H4

Operating Voltage:

10-32V DC

Current Draw:

High Beam: 5.35A @ 12V; 2.50A @ 24V DC

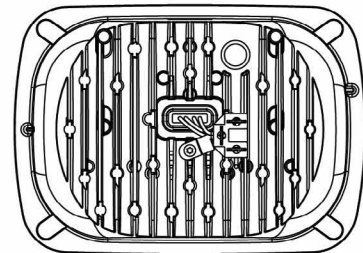
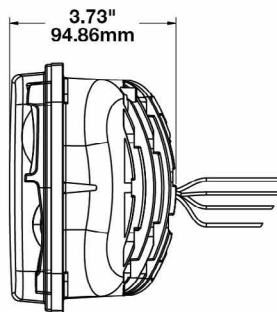
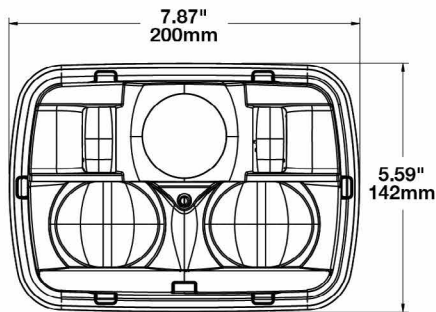
Low Beam: 4.30A @ 12V; 2.10A @ 24V DC

Front Position: 2.80A @ 12V; 1.32A @ 24V DC

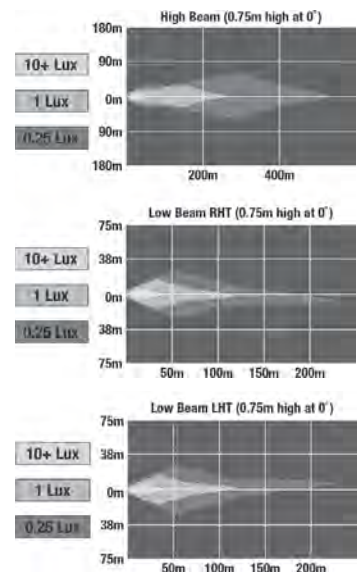
Retrofit Information:

5" x 7" Rectangle; 2B1 Sealed Beams

Standards:



PART #	BEZEL	DESCRIPTION
0554461	Chrome	DOT/ECE/RHT/High/Low/FP
0554481	Black	DOT/ECE/RHT/High/Low/FP
0554421	Chrome	ECE/LHT/High/Low/FP
0554441	Black	ECE/LHT/High/Low/FP



If your vehicle is operated in the United States you do NOT need to connect the Front Position wire (red) unless your vehicle is equipped with a front position light.





TRANSPORT

MODEL 93



PRODUCT SPECIFICATIONS

Raw Lumen Output:

630 (High Beam); 1,910 (Low Beam)

Effective Lumen Output:

230 (High Beam); 575 (Low Beam)

Candela Output:

45,000 (High Beam); 18,500 (Low Beam)

Connector/Wiring:

High Beam: Deutsch DT04-3P

Low Beam: Deutsch DT04-2P

Operating Voltage:

10-31V DC

Current Draw:

Low Beam: 1.97A @ 12V; 0.98A @ 24V DC

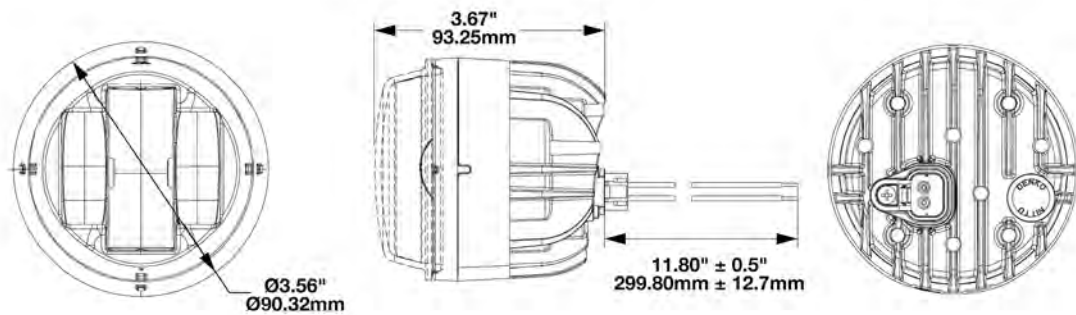
High Beam: 0.80A @ 12V; 0.40A @ 24V DC

Front Position: 0.40 @ 12V; 0.20 @ 24V DC

Retrofit Information:

Standard 90mm lamps

Standards:

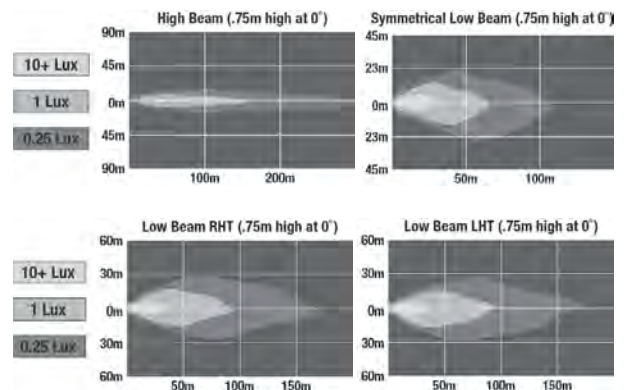


PART # DESCRIPTION

0553081	SAE/ECE/Reg113/Low
0553091	ECE/LHT/Reg112/Low
0553101	DOT/ECE/RHT/Reg112/Low
0553071	DOT/ECE/High
0554381	SAE/ECE/High with FP
0556701	Fog Lamp/SAE/ECE
0347941	Turn Signal/SAE/ECE/DRL

PART # ACCESSORIES

8001601	Single Lamp Pedestal Mount Bracket
8001461	1.5mm 3-Point Mount
8001471	3.0mm 3-Point Mount



MODEL 95

PRODUCT SPECIFICATIONS

Raw Lumen Output:

630 (High Beam) ; 1,435 (Fog Beam)

Effective Lumen Output:

230 (High Beam); 607 (Fog Beam)

Candela Output:

45,000 (High Beam); 7,500 (Fog Beam)

Connector/Wiring:

Packard #12162000

Operating Voltage:

10-30V DC

Current Draw:

High Beam: 0.80A @ 12V; 0.40A @ 24V DC

Fog Beam: 1.25A @ 12V; 0.70A @ 24V DC

Retrofit Information:

2013-2015 Peterbilt 579

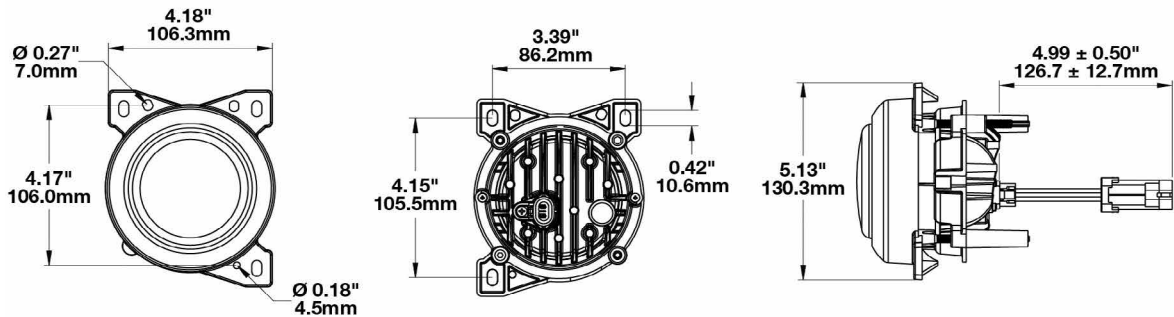
2011-2015 Peterbilt 587

2008-2015 Kenworth T660

Standards:

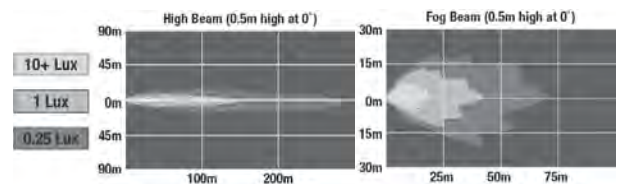


FOG



PART # DESCRIPTION

0553721	DOT/ECE/High
0553713	DOT/ECE/High/Kit of 2
0553741	SAE/ECE/Fog
0553733	SAE/ECE/Fog/Kit of 2



MODEL 97



PRODUCT SPECIFICATIONS

Raw Lumen Output:

1,800 (High Beam); 1,600 (Low Beam)

Effective Lumen Output:

497 (High Beam); 321 (Low Beam)

Candela Output:

41,800 (High Beam); 14,600 (Low Beam)

Connector/Wiring:

Deutsch DT04-4P

Operating Voltage:

10-32V DC

Current Draw:

High Beam: 1.8A @ 12V; 1.0A @ 24V DC

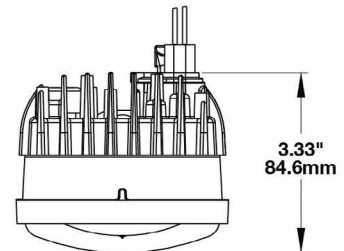
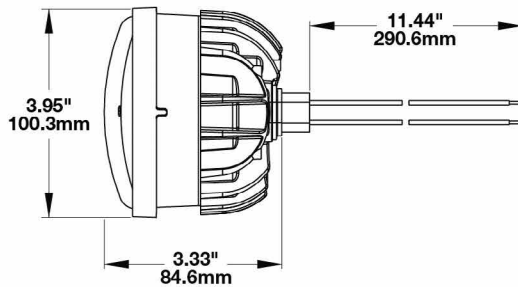
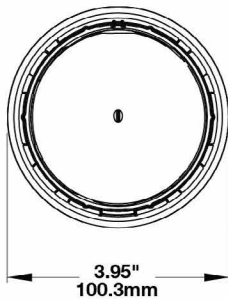
Low Beam: 1.5A @ 12V; 0.8A @ 24V DC

Front Position: 0.1A @ 12V; 0.06A @ 24V DC

Retrofit Information:

100mm Bi-LED Headlamp

Standards:



PART #	DESCRIPTION
0554831	DOT/ECE/RHT/High/Low/Reg 112
0554911	ECE/LHT/High/Low/Reg 112
0554921	DOT/ECE/High/Low/Reg 113

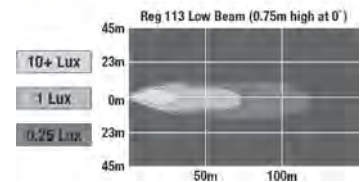
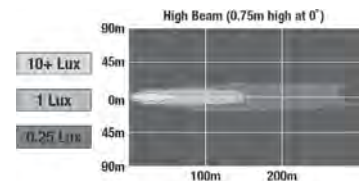
PART #	MOUNTING OPTIONS
8001511	3-Point Mount for 3mm Mounting Frame
8001521	Single Lamp Pedestal Mount Bracket



8001511



8001521



MODEL 791

PRODUCT SPECIFICATIONS

Raw Lumen Output:

1,820 (Driving/Flood); 800 (Fog)

Effective Lumen Output:

1,200 (Driving/Flood); 250 (Fog)

Candela Output:

6,700 (Fog)

Connector/Wiring:

Driving/Flood: Deutsch DT04-2P

Fog: Integrated 2-Pin Deutsch Connector

Operating Voltage:

Driving/Flood: 9-32V DC

Fog: 10-18V DC

Current Draw:

Driving/Flood: 1.27A @ 12V; 0.78A @ 24V DC

Fog: 0.55A @ 10V; 0.88A @ 12V; 1.10A @ 18V DC

Retrofit Information:

6" x 2" Rectangle

Standards:



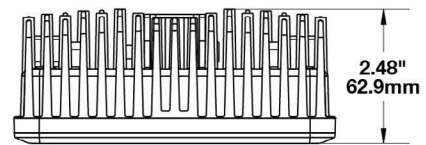
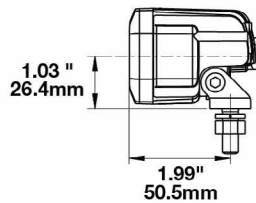
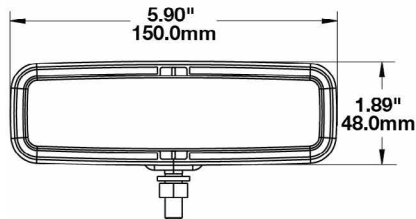
FOG



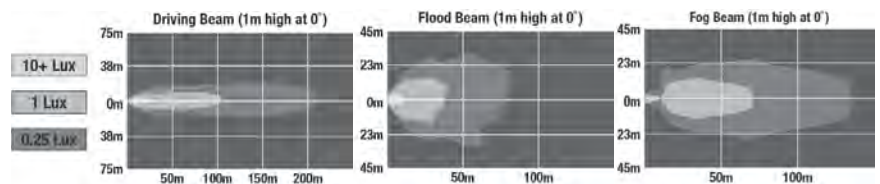
DRIVING



FLOOD



PART #	DESCRIPTION
1603511	Driving
1603521	Driving Light with Flood Beam Pattern
1603601	SAE/ECE/Fog
1603603	SAE/ECE/Fog/Kit of 2



MODEL 6045 FOG LIGHT

PRODUCT SPECIFICATIONS



Raw Lumen Output:
750

Effective Lumen Output:
500

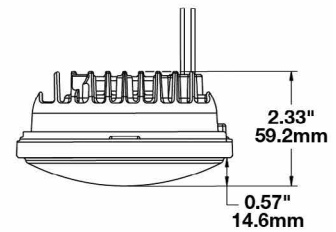
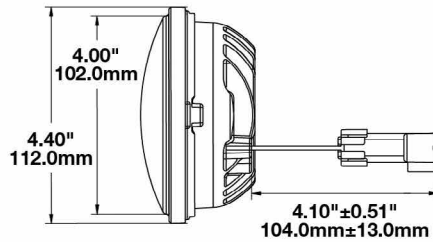
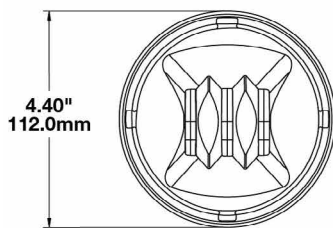
Connector/Wiring:
Packard (#12059450-B)

Operating Voltage:
9-18V DC

Current Draw:
0.75A @ 12V DC

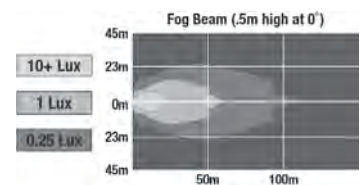
Retrofit Information:
4.5" Round

Standards:



PART #	BEZEL	DESCRIPTION
0546161	Chrome	SAE/ECE/Fog
0545731	Black	SAE/ECE/Fog
0551593	Chrome	SAE/ECE/Fog/Kit of 2
0551583	Black	SAE/ECE/Fog/Kit of 2
0551653	Chrome	SAE/ECE/Fog/with #8200181

PART #	ACCESSORIES
8200181	Chrome Mounting Adapter Kit



MODEL 6048

PRODUCT SPECIFICATIONS

Raw Lumen Output:

1,280 (Spot/Driving Beam); 800 (Fog Beam)

Effective Lumen Output:

520 (Spot Beam); 430 (Driving Beam); 250 (Fog Beam)

Candela Output:

8,600 (Spot Beam); 3,000 (Driving Beam)

Connector/Wiring:

Bare Leads

Operating Voltage:

Driving Beam & Spot Beam: 9-32V DC

Fog Beam: 9-18V DC

Current Draw:

1.2A @ 12V; 0.6A @ 24V DC

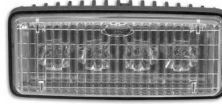
Retrofit Information:

2" x 5" Rectangle

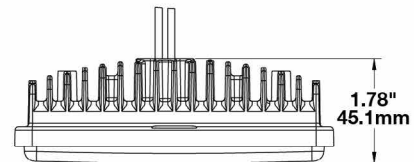
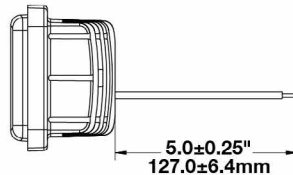
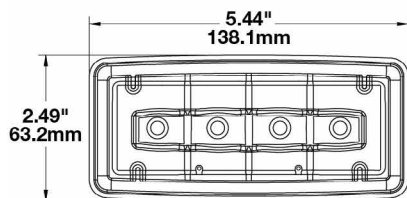
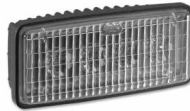
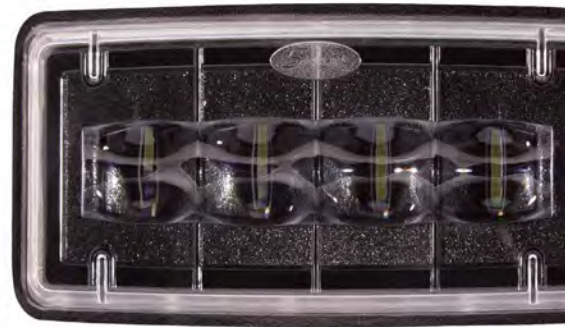
Standards:



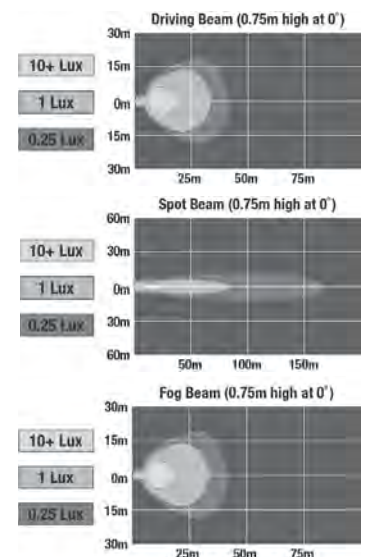
DRIVING



FOG



PART #	DESCRIPTION
0543591	Driving
0548631	Spot
0549691	SAE/ECE/Fog



MODEL 8630 & 8631 EVOLUTION



PRODUCT SPECIFICATIONS

Raw Lumen Output:

2,925 (High Beam); 2,025 (Low Beam)

Effective Lumen Output:

1,000 (High Beam); 630 (Low Beam)

Candela Output:

61,684 (High Beam); 19,162 (Low Beam)

Connector/Wiring:

Integral Connector in Housing simulating Delphi #12124107

Operating Voltage:

10-32V DC

Current Draw:

Low Beam: 2.20A @12V; 1.70A @14V; 1.10A @24V

High Beam: 3.50A @12V; 2.70A @14V; 1.70A @24V

Turn: 1.40A @12V; .70A @24V

8630 FP: .09A @12V; .07A @14V; .04A @24V

8630 DRL: .90A @12V; .68A @14V; .38A @24V

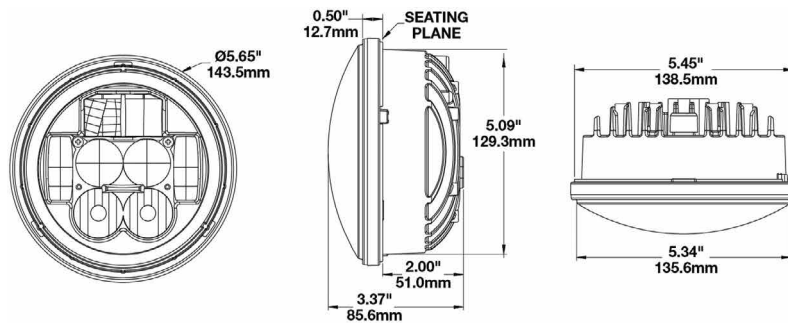
8631 FP: .05A @12V; .05A @24V

8631 DRL: 1.10A @12V; .70A @24V

Retrofit Information:

5.75" Round (PAR46)

Standards:



MODEL 8630

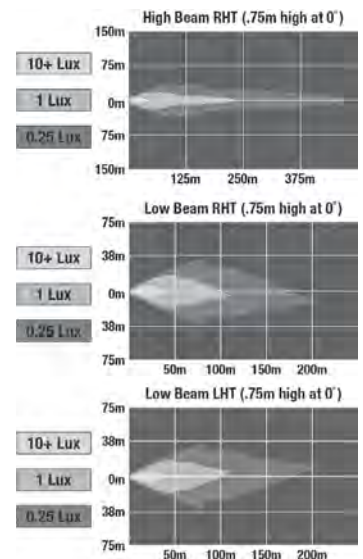
PART #	DESCRIPTION
0549911	DOT/ECE/RHT/High/Low/FP & DRL
0549921	ECE/LHT/High/Low/FP & DRL
0550921	DOT/High/Low

PART # ACCESSORIES

3157751	Double Lamp Mounting Ring Kit
8200001	Single Lamp Mounting Ring Kit

MODEL 8631

PART #	DESCRIPTION
0551641	ECE/LHT/High/Low/Turn/FP & DRL
0551631	DOT/ECE/RHT/High/Low/Turn/FP & DRL



If your vehicle is operated in the United States you do NOT need to connect the Front Position wire (red) unless your vehicle is equipped with a front position light.

MODEL 8632 EVOLUTION

PRODUCT SPECIFICATIONS

Raw Lumen Output:

2,925 (High Beam); 2,025 (Low Beam)

Effective Lumen Output:

1,000 (High Beam); 630 (Low Beam)

Connector/Wiring:

Integral Connector in housing simulating Delphi 12124107

Operating Voltage:

10-32V DC

Current Draw:

High Beam: 3.67A @ 12V; 1.83A @ 24V DC

Low Beam: 2.5A @ 12V; 1.25A @ 24V DC

DRL: 0.067A @ 12V; 0.34A @ 24V DC

Front Turn: 0.83A @ 12V; 0.42A @ 24V DC

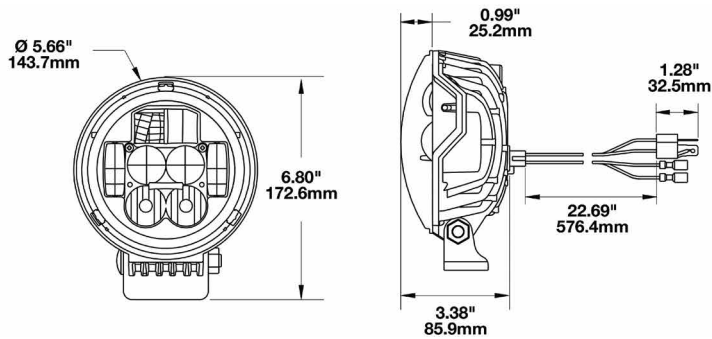
Front Position: 0.08A @ 12V; 0.042A @ 24V DC

Side Marker: 0.08A @ 12V; 0.042A @ 24V DC

Retrofit Information:

5.75" Round (PAR46) Pedestal Lights

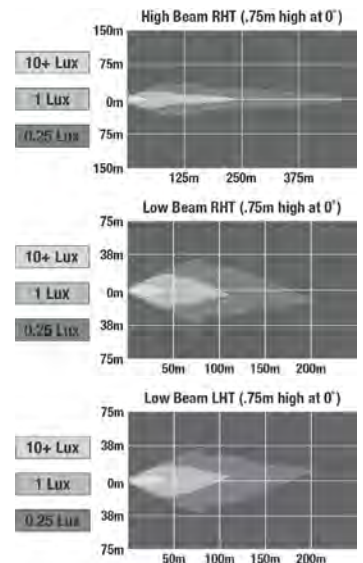
Standards:



PART #	DESCRIPTION
0551983	DOT/ECE/RHT/High/Low/Turn/FP & DRL/Kit of 2
0551561	DOT/ECE/RHT/High/Low/Turn/FP & DRL - RH Lamp
0551571	DOT/ECE/RHT/High/Low/Turn/FP & DRL - LH Lamp
0551973	ECE/LHT/High/Low/Turn/FP & DRL/Kit of 2
0551991	ECE/LHT/High/Low/Turn/FP & DRL - RH Lamp
0552001	ECE/LHT/High/Low/Turn/FP & DRL - LH Lamp

*RH & LH refer to right hand and left hand lamps on the vehicle.

If your vehicle is operated in the United States you do NOT need to connect the Front Position wire (red) unless your vehicle is equipped with a front position light.



8700 EVO 2 DUAL BURN



PRODUCT SPECIFICATIONS

Raw Lumen Output:

3,200 (High Beam); 1,770 (Low Beam)

Effective Lumen Output:

1,260 (High Beam); 750 (Low Beam)

Candela Output:

71,500 (High Beam); 35,003 (Low Beam)

Connector/Wiring:

H4

Operating Voltage:

9-32V DC

Current Draw:

Heated High Beam: 4.20A @ 12V; 2.30A @ 24V DC

High Beam: 3.50A @ 12V; 1.80A @ 24V DC

Low Beam: 2.00A @ 12V; 1.10A @ 24V DC

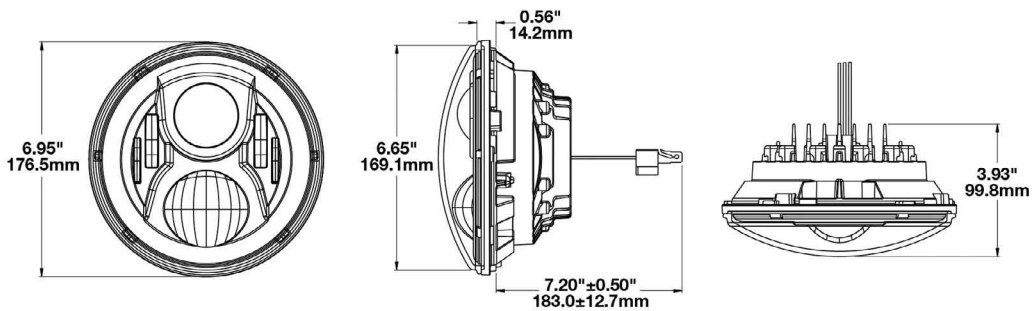
Front Position: 0.16A @ 12V; 0.10A @ 24V DC

DRL: 1.60A @ 12V; 0.80A @ 24V DC

Retrofit Information:

7" Round (PAR56)

Standards:



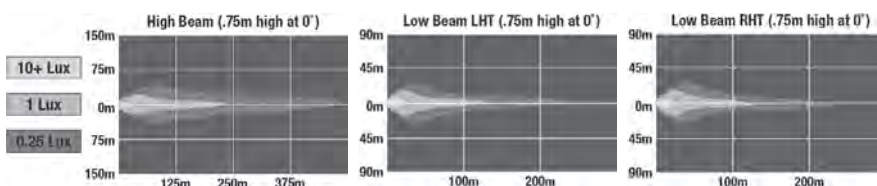
HEATED

PART #	BEZEL	DESCRIPTION
0556281	Black	DOT/High/Low
0556291	Chrome	DOT/High/Low
0556301	Black	ECE/RHT/High/Low/FP & DRL
0556311	Chrome	ECE/RHT/High/Low/FP & DRL
0556321	Black	ECE/LHT/High/Low/FP & DRL
0556331	Chrome	ECE/LHT/High/Low/FP & DRL

NON-HEATED

PART #	BEZEL	DESCRIPTION
0554941	Black	DOT/High/Low
0554961	Chrome	DOT/High/Low

PART #	ACCESSORIES
3156561	Panel Mount Bucket Assembly
3156351	Mounting Ring Kit for 7" Round (PAR56) Headlights
3266081	Jumper Harness H4/H13
8000381	Anti-Flicker Harness H4/H4
8000311	Anti-Flicker Harness H4/H13



8700 EVO 2 PRO

PRODUCT SPECIFICATIONS

Raw Lumen Output:

4,170 (High Beam); 2,340 (Low Beam)

Effective Lumen Output:

1,340 (High Beam); 694 (Low Beam)

Candela Output:

84,700 (High Beam); 30,600 (Low Beam)

Connector/Wiring:

H4

Operating Voltage:

9-32V DC

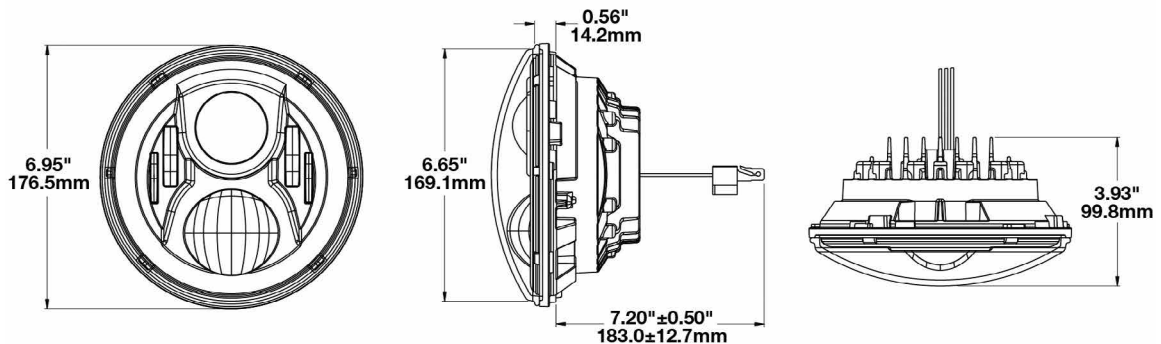
Current Draw:

High Beam: 3.60A @ 12V; 1.80A @ 24V DC
 Low Beam: 2.00A @ 12V; 1.10A @ 24V DC
 Front Position: 0.16A @ 12V; 0.10A @ 24V DC
 DRL: 1.60A @ 12V; 0.80A @ 24V DC

Retrofit Information:

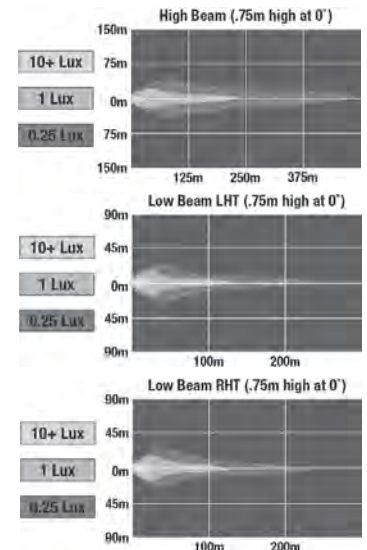
7" Round (PAR56)

Standards:



PART #	BEZEL	DESCRIPTION
0556981	Black	ECE/RHT/High/Low/FP & DRL
0556971	Chrome	ECE/RHT/High/Low/FP & DRL
0556961	Black	ECE/LHT/High/Low/FP & DRL
0556951	Chrome	ECE/LHT/High/Low/FP & DRL

PART #	ACCESSORIES
3156561	Panel Mount Bucket Assembly
3156351	Mounting Ring Kit for 7" Round (PAR56) Headlights
3266081	Jumper Harness H4/H13
8000381	Anti-Flicker Harness H4/H4
8000311	Anti-Flicker Harness H4/H13





MODEL 8710

PRODUCT SPECIFICATIONS

Raw Lumen Output:
3,300

Effective Lumen Output:
1,440

Candela Output:
133,000

Connector/Wiring:
H4

Operating Voltage:
9-32V DC

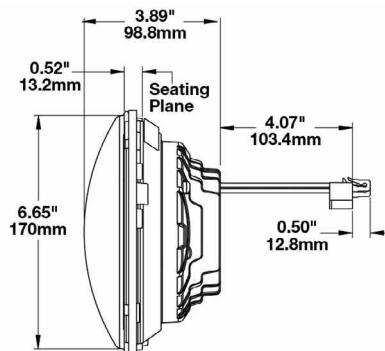
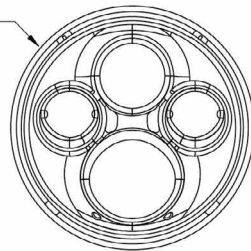
Current Draw:
4.80A @ 12V DC
2.50A @ 24V DC

Retrofit Information:
7" Round (PAR56)

Standards:

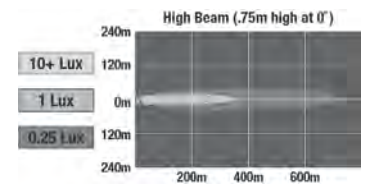


DIA 6.95"
176.5mm



PART #	BEZEL	DESCRIPTION
0550011	Chrome	ECE/RHT/LHT/High
0550021	Black	ECE/RHT/LHT/High

PART #	ACCESSORIES
3156561	Panel Mount Bucket Assembly
3156351	Mounting Ring Kit for 7" Round (PAR56) Headlights
3266081	Jumper Harness H4/H13



PRODUCT SPECIFICATIONS



Raw Lumen Output:
2,250 (High Beam); 2,830 (Low Beam)

Effective Lumen Output:
898 (High Beam); 782 (Low Beam)

Candela Output:
73,200 (High Beam); 29,800 (Low Beam)

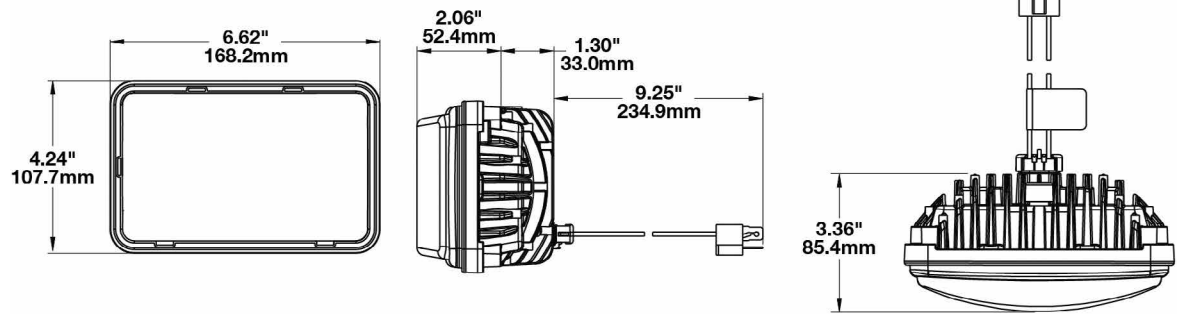
Connector/Wiring:
H4 Connector - AMP (#172615-2)

Operating Voltage:
9-32V DC

Current Draw:
Heated: 3.30A @ 12V; 1.67A @ 24V DC
Non-Heated: 2.10A @ 12V; 1.00A @ 24V DC

Retrofit Information:
4" x 6" Rectangle; 1A1 and 2A1 Sealed Beams

Standards:

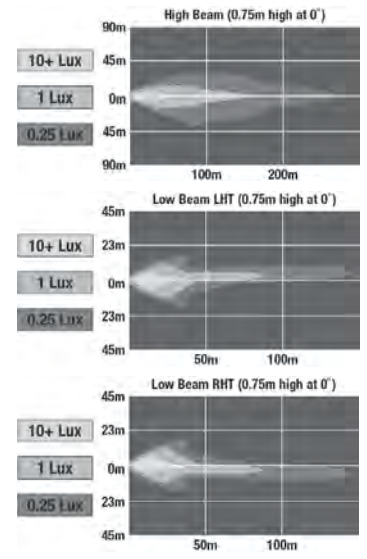


HEATED

PART #	BEZEL	DESCRIPTION
0551771	Chrome	DOT/ECE/RHT/Low
0552651	Black	DOT/ECE/RHT/Low
0552091	Chrome	ECE/LHT/Low
0552661	Black	ECE/LHT/Low
0551781	Chrome	DOT/ECE/High
0552671	Black	DOT/ECE/High

NON-HEATED

PART #	BEZEL	DESCRIPTION
0551371	Chrome	DOT/ECE/RHT/Low
0552551	Black	DOT/ECE/RHT/Low
0551391	Chrome	ECE/LHT/Low
0552561	Black	ECE/LHT/Low
0551381	Chrome	DOT/ECE/High
0552571	Black	DOT/ECE/High



8801 EVOLUTION

PRODUCT SPECIFICATIONS

Raw Lumen Output:
1,890

Effective Lumen Output:
890 (High Beam) 740 (Low Beam)

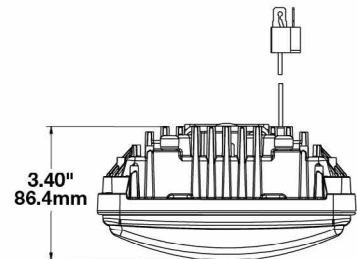
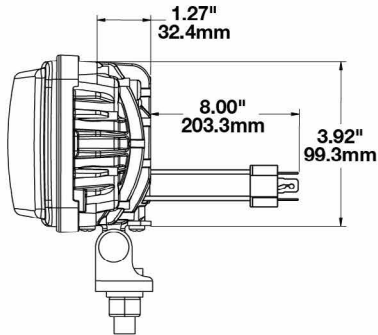
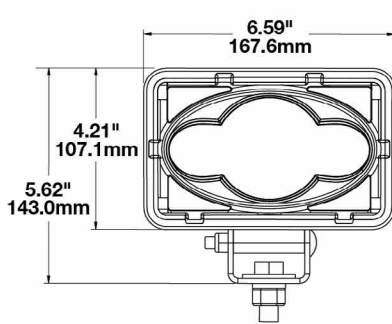
Connector/Wiring:
AMP (#172615-2)

Operating Voltage:
10-15V DC

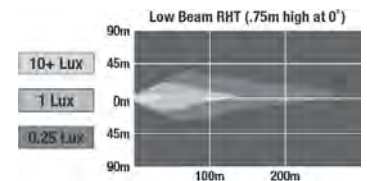
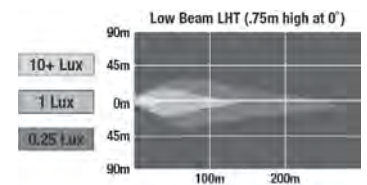
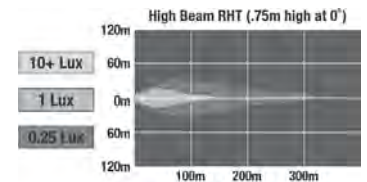
Current Draw:
2.25A @ 12V DC

Retrofit Information:
4" x 6" Rectangle

Standards:



PART #	DESCRIPTION
0549211	DOT/ECE/RHT/Low
0549251	ECE/LHT/Low
0549231	DOT/ECE/RHT/High
0550433	DOT/ECE/High/Kit of 2



8900 EVOLUTION 2



PRODUCT SPECIFICATIONS

Raw Lumen Output:

2,640 (High Beam); 2,250 (Low Beam)

Effective Lumen Output:

1,200 (High Beam); 975 (Low Beam)

Connector/Wiring:

H4

Operating Voltage:

10-32V DC

Current Draw:

High Beam: 1.94A @ 12V; 1.03A @ 24V DC

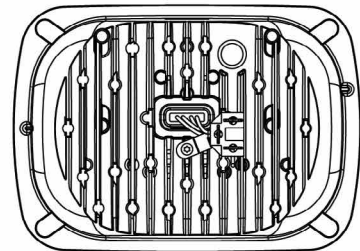
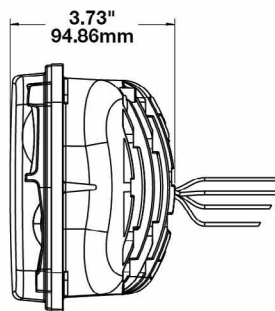
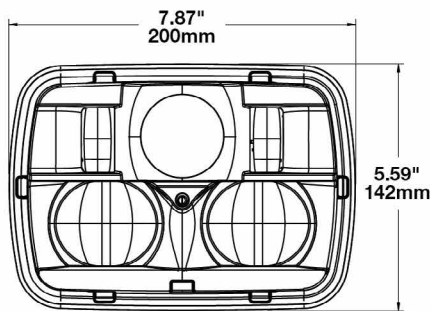
Low Beam: 1.67A @ 12V; 0.87A @ 24V DC

Front Position: 0.22A @ 12V; 0.16A @ 24V DC

Retrofit Information:

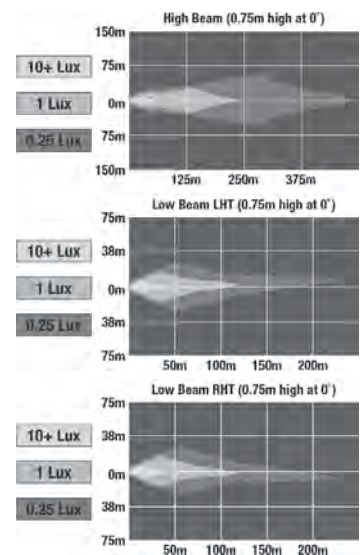
5" x 7" Rectangle; 2B1 Sealed Beams

Standards:



PART #	BEZEL	DESCRIPTION
0554471	Chrome	DOT/ECE/RHT/High/Low/FP
0554491	Black	DOT/ECE/RHT/High/Low/FP
0554431	Chrome	ECE/LHT/High/Low/FP
0554451	Black	ECE/LHT/High/Low/FP

If your vehicle is operated in the United States you do NOT need to connect the Front Position wire (red) unless your vehicle is equipped with a front position light.



PRODUCT SPECIFICATIONS

Raw Lumen Output:

3,015 (High Beam); 2,250 (Low Beam)

Effective Lumen Output:

1,320 (High Beam); 975 (Low Beam)

Connector/Wiring:

H4

Operating Voltage:

10-32V DC

Current Draw:

High Beam: 5.35A @ 12V; 2.50A @ 24V DC

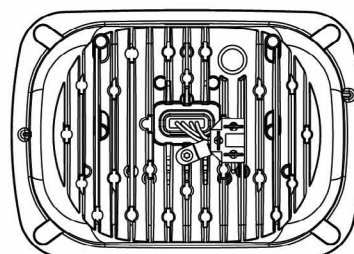
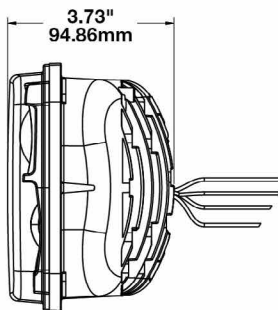
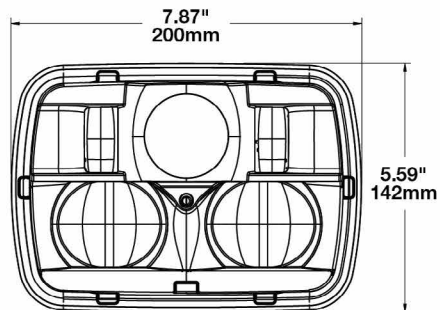
Low Beam: 4.30A @ 12V; 2.10A @ 24V DC

Front Position: 2.80A @ 12V; 1.32A @ 24V DC

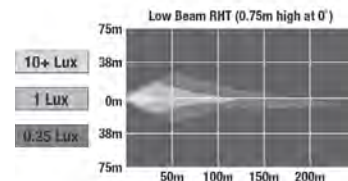
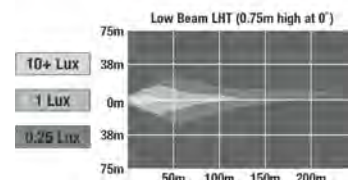
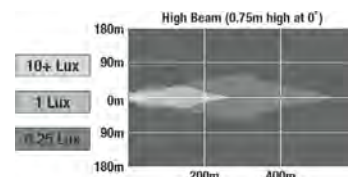
Retrofit Information:

5" x 7" Rectangle; 2B1 Sealed Beams

Standards:



PART #	BEZEL	DESCRIPTION
0554481	Black	DOT/ECE/RHT/High/Low/FP
0554461	Chrome	DOT/ECE/RHT/High/Low/FP
0554441	Black	ECE/LHT/High/Low/FP
0554421	Chrome	ECE/LHT/High/Low/FP



If your vehicle is operated in the United States you do NOT need to connect the Front Position wire (red) unless your vehicle is equipped with a front position light.

PRODUCT SPECIFICATIONS



Raw Lumen Output:
2,880 (High Beam); 2,160 (Low Beam)

Effective Lumen Output:
1,150 (High Beam); 800 (Low Beam)

Candela Output:
52,000 (High Beam)

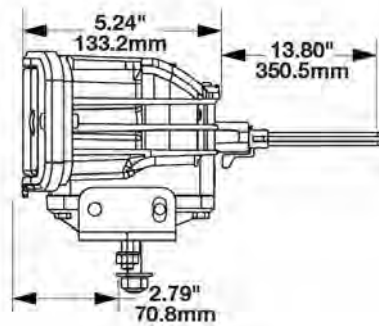
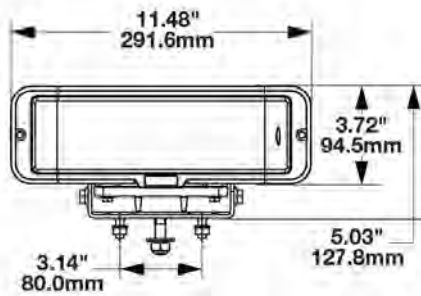
Connector/Wiring:
6-Pin Delphi 12052848

Operating Voltage:
12V: 10-15V
24V: 20-32V DC

Current Draw:
Low Beam: 2.70A @ 12V; 1.20A @ 24V DC
High Beam: 3.40A @ 12V; 1.60A @ 24V DC
Turn Signal: 0.85A @ 12V; 0.27A @ 24V DC
FP & DRL: 0.04A @ 12V; 0.03A @ 24V DC

Retrofit Information:
5" x 11" Rectangle; Pedestal Mount Headlights

Standards:



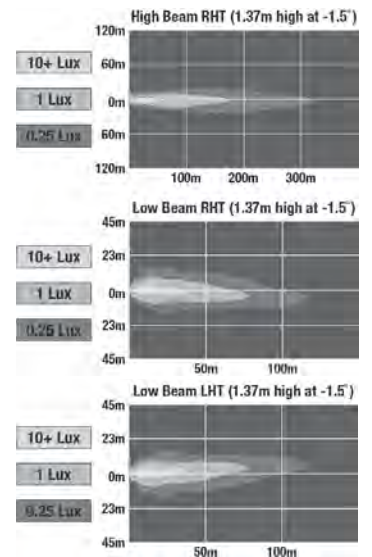
HEATED

PART #	DESCRIPTION
0552243	12V/DOT/High/Low/Turn/Kit of 2
0551803	24V/DOT/High/Low/Turn/Kit of 2
0552433	12V/ECE/LHT/High/Low/Turn/FP & DRL/Kit of 2
0551863	24V/ECE/LHT/High/Low/Turn/FP & DRL/Kit of 2
0552423	12V/ECE/RHT/High/Low/Turn/FP & DRL/Kit of 2
0551833	24V/ECE/RHT/High/Low/Turn/FP & DRL/Kit of 2

NON-HEATED

PART #	DESCRIPTION
0550061	12-24V/DOT/High/Low/Turn/Kit of 2
0550161	12-24V/ECE/RHT/High/Low/Turn/FP & DRL/Kit of 2
0550171	12-24V/ECE/LHT/High/Low/Turn/FP & DRL/Kit of 2

If your vehicle is operated in the United States you do NOT need to connect the Front Position wire (red) unless your vehicle is equipped with a front position light.



PRODUCT SPECIFICATIONS

Raw Lumen Output:

2,880 (High Beam); 2,160 (Low Beam)

Effective Lumen Output:

1,150 (High Beam); 800 (Low Beam)

Candela Output:

52,000 (High Beam)

Connector/Wiring:

6-Pin Delphi 12052848

Operating Voltage:

12-24V DC

Current Draw:

Low Beam: 1.75A @ 12V; 1.00A @ 24V DC

High Beam: 2.50A @ 12V; 1.50A @ 24V DC

Turn: .750A @ 12V DC; .280A @ 24V DC

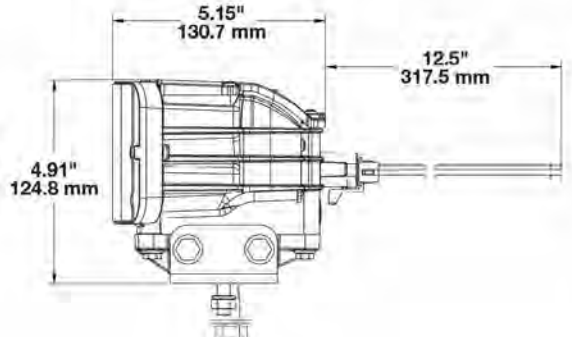
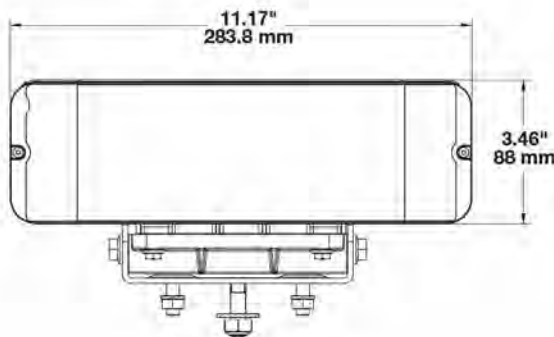
Front Position: .040A @ 12V DC; .025A @ 24V DC

Heater: 2.00A @ 12V DC; 1.75A @ 24V DC

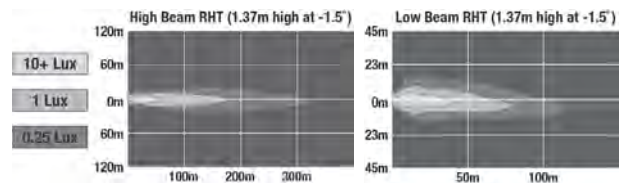
Retrofit Information:

5" x 11" Rectangle; Pedestal Mount Headlights

Standards:



PART #	DESCRIPTION
0555743	12-24V DOT/High/Low/Turn/FP/Kit of 2



If your vehicle is operated in the United States you do NOT need to connect the Front Position wire (red) unless your vehicle is equipped with a front position light.



PRODUCT SPECIFICATIONS



Raw Lumen Output:

2370 (Low Beam); 4300 (High Beam)

Effective Lumen Output:

587 (Low Beam); 1060 (High Beam)

Candela Output:

58,000 (High Beam)

Connector/Wiring:

6-Pin Delphi 12052848

Operating Voltage:

9-30V DC

Current Draw:

Low Beam: 3.50A @ 12V; 2.25A @ 24V DC

High Beam: 5.00A @ 12V; 3.00A @ 24V DC

Turn: 1.20A @ 12V DC; .75A @ 24V DC

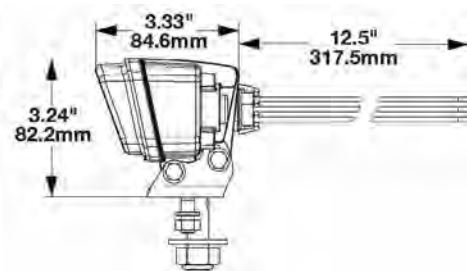
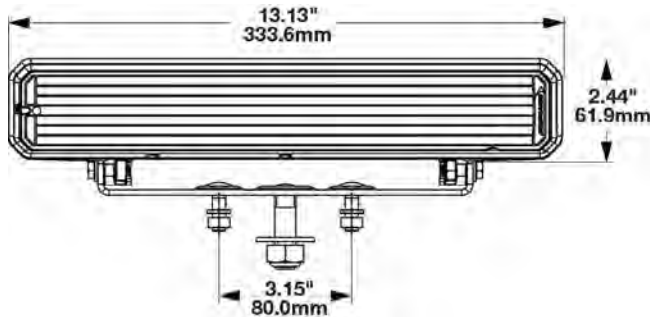
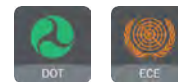
Front Position: 2.00A @ 12V DC; 1.50A @ 24V DC

DRL: 2.50A @ 12V DC; 1.75A @ 24V DC

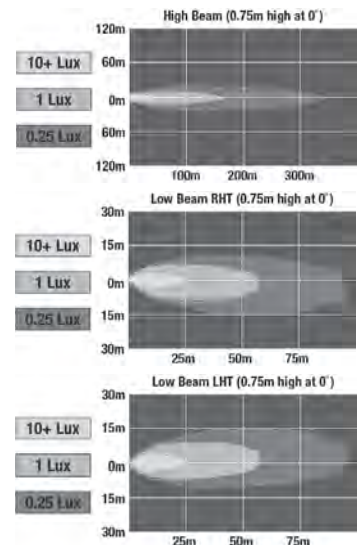
Retrofit Information:

3" x 13" Rectangle; Pedestal Mount Headlights

Standards:



PART #	DESCRIPTION
0556273	DOT/ECE/RHT/High/Low/Turn/FP & DRL/Kit of 2
0556383	ECE/LHT/High/Low/Turn/FP& DRL/Kit of 2



If your vehicle is operated in the United States you do NOT need to connect the Front Position wire (red) unless your vehicle is equipped with a front position light.







SMARTHEAT®

DON'T LET SNOW AND ICE SLOW YOU DOWN.

Winter weather can cause snow and ice build up on the outside of lights, reducing visibility. This creates a dangerous situation not only for you, but to others as well.

J.W. Speaker's series of heated LED lights with SmartHeat® is redefining lighting with its integrated lens heater technology. Each light is designed to automatically de-ice the surface of the lens. Products with SmartHeat provide peace of mind during cold and snowy conditions by maintaining your ability to see, and to be seen by other drivers.

SmartHeat Technology uses an internal sensor for air and light temperature and automatically turns the heater on and off as needed.

	Light Temperature		
			
Air Temperature	 ON	ON	OFF
 ON	ON	OFF	OFF
 OFF	OFF	OFF	OFF



A LEGACY OF INNOVATION

OEM ORIGINS

1935

J.W. Speaker Corporation founded by John W. Speaker to manufacture tube & tire repair products



1940S

Supplied the U.S. Military during World War II, including compact folding stoves and tire repair products; Designed & patented the iconic P-38 can openers and Heatab dry fuel.

After the war, shifted focus to manufacturing mirrors and lighting products for trucks and cars.



1960S

John W. Speaker unexpectedly passed away and his son, Jack, became President.

Expanded into lighting on original equipment manufacturing (OEM) for lawn & garden and golf & turf tractors.

1980S

Tim & Jamie Speaker, grandsons of the founder John W. Speaker, formally join the company and became Co-Presidents.

J.W. Speaker became solely focused on vehicle lighting, growing the business with custom designed lighting for agriculture OEM customers



1990S

Production on first custom headlamp for Arctic Cat snowmobile began, pushing into the power sport market.

Partnerships with premier OEM customers like Harley-Davidson, U.S. military, and development on custom lighting products began.



AND AFTERMARKET GROWTH



First LED light with solid optic technology designed, providing a pathway for future product development

2000S

International expansion and growing portfolio of OEM products in the industrial, mining, power sport, and construction markets



Harnessed experience from OEM products and entered the aftermarket with the first-of its-kind 7" round LED headlight for Jeeps

2012

Established distribution channels and expanded the company product portfolio into the aftermarket

Launched the world's first Adaptive Motorcycle Headlight™ with technology that automatically fills dark areas of the road when cornering on a bike

2015



SmartHeat® technology launched in headlights and work lights with integrated lens technology to de-ice lenses, to improve driver visibility & safety

2017



Released Evo J3™ headlight and Trail 6™ off-road light, both compatible with new J-Link™ mobile app, giving drivers control and customization options for their lights

2019





POWER SPORTS

MODEL 93M



PRODUCT SPECIFICATIONS

Raw Lumen Output:

1,910 (Low Beam); 630 (High Beam)

Effective Lumen Output:

575 (Low Beam); 230 (High Beam)

Candela Output:

18,000 (Low Beam); 45,000 (High Beam)

Connector/Wiring:

High Beam: Deutsch DT04-3P

Low Beam: Deutsch DT04-2P

Operating Voltage:

10.5-38V DC

Current Draw:

Low Beam: 1.97A @ 12V; 0.98A @ 24V DC

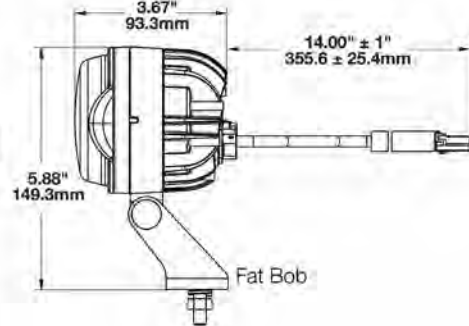
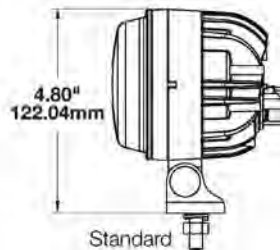
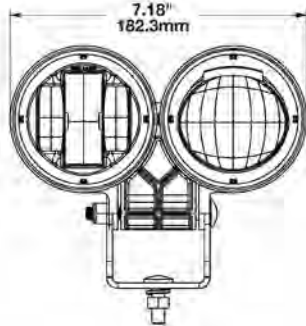
High Beam: 0.80A @ 12V; 0.40A @ 24V DC

Front Position: 0.40A @ 12V; 0.20A @ 24V DC

Retrofit Information:

Pedestal Mount for Fat Bob® & Custom Motorcycles

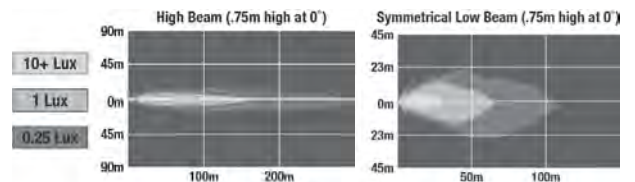
Standards:



PART # DESCRIPTION

0555911 DOT/ECE/High/Low/Kit of 2

*For fitment information visit: www.jwspeaker.com/yymm



If your bike is operated in the United States you do NOT need to connect the Front Position wire (red) unless your bike is equipped with a front position light.

Fat Bob is a registered trademark of H-D U.S.A., LLC



PRODUCT SPECIFICATIONS

Raw Lumen Output:

1,800 (High Beam); 1,600 (Low Beam)

Effective Lumen Output:

497 (High Beam); 321 (Low Beam)

Candela Output:

41,800 (High Beam); 14,600 (Low Beam)

Connector/Wiring:

Deutsch DT04-4P

Operating Voltage:

10-32V DC

Current Draw:

High Beam: 1.8A @ 12V; 1.0A @ 24V DC

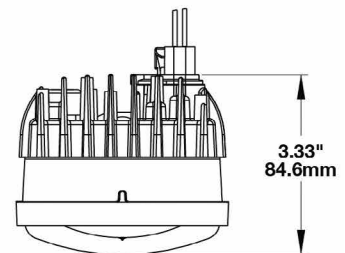
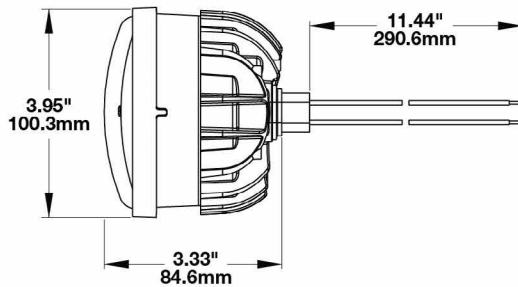
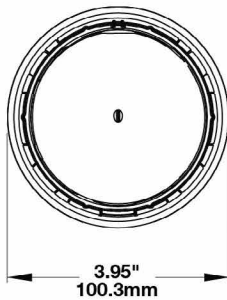
Low Beam: 1.5A @ 12V; 0.8A @ 24V DC

Front Position: 0.1A @ 12V; 0.06A @ 24V DC

Retrofit Information:

Standard 100mm Bi-LED Headlamp

Standards:



PART # DESCRIPTION

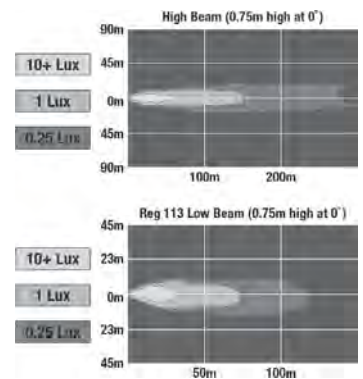
0554831 DOT/ECE/RHT/High/Low/Reg 112

0554911 ECE/LHT/High/Low/Reg 112

0554921 DOT/ECE/High/Low/Reg 113

PART # MOUNTING OPTIONS

8001521 Single Lamp Pedestal Mount Bracket



MODEL 6025 FOG LIGHT



PRODUCT SPECIFICATIONS

Raw Lumen Output:
346

Effective Lumen Output:
291

Candela Output:
12,300

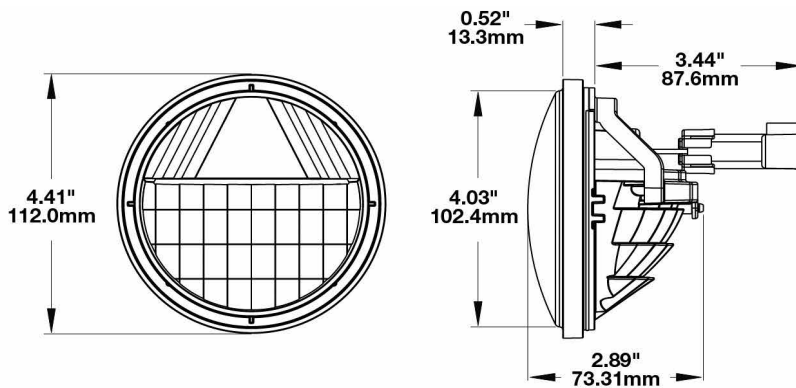
Connector/Wiring:
Packard 12059450-B

Operating Voltage:
9-16V DC

Current Draw:
0.83A @ 10V DC
0.70A @ 12V DC

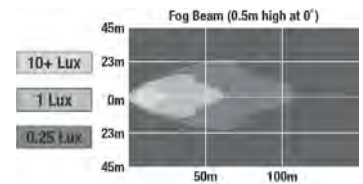
Retrofit Information:
4.5" Round

Standards:



PART # DESCRIPTION

0553021	SAE/ECE/Fog
0553023	SAE/ECE/Fog/Kit of 2



MODEL 6045 FOG LIGHT

PRODUCT SPECIFICATIONS

Raw Lumen Output:
750

Effective Lumen Output:
500

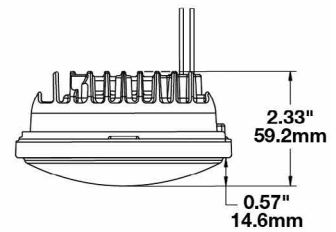
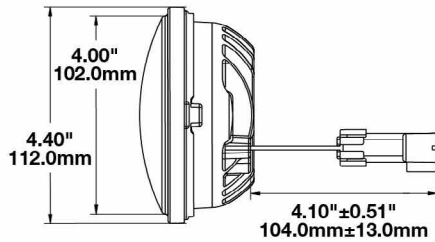
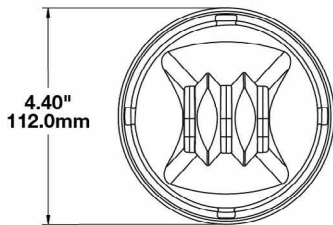
Connector/Wiring:
Packard (#12059450-B)

Operating Voltage:
9-18V DC

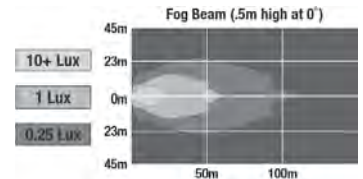
Current Draw:
0.75A @ 12V DC

Retrofit Information:
4.5" Round

Standards:



PART #	BEZEL	DESCRIPTION
0546161	Chrome	SAE/ECE/Fog
0545731	Black	SAE/ECE/Fog
0551593	Chrome	SAE/ECE/Fog/Kit of 2
0551583	Black	SAE/ECE/Fog/Kit of 2



6130 EVOLUTION



PRODUCT SPECIFICATIONS

Raw Lumen Output:

2,230 (High Beam); 1,330 (Low Beam)
1,760 (High Beam Only); 1,690 (Low Beam Only)

Effective Lumen Output:

840 (High Beam); 440 (Low Beam)
955 (High Beam Only); 640 (Low Beam Only)

Connector/Wiring:

12" Bare Wires

Operating Voltage:

10-30V DC

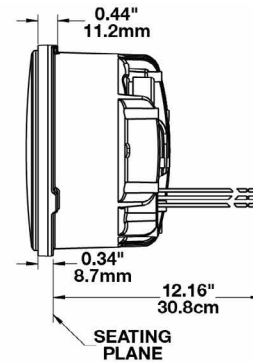
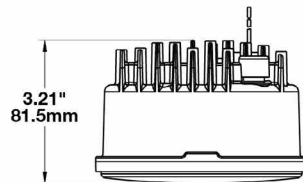
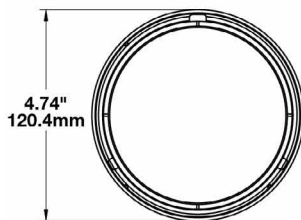
Current Draw:

High Beam: 3.00A @ 12V; 1.43A @ 24V DC
Low Beam: 2.30A @ 12V; 1.01A @ 24V DC
Front Position: 0.12A @ 12V; 0.09A @ 24V DC
DRL: 0.44A @ 12V; 0.24A @ 24V DC
High Beam Only: 1.84A @ 12V; 0.84A @ 24V DC
Low Beam Only: 2.07A @ 12V; 0.96A @ 24V DC

Retrofit Information:

4.75" Round

Standards:



PART # DESCRIPTION

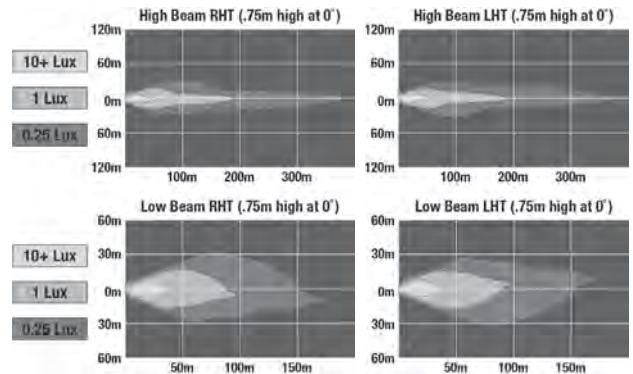
0549871 DOT/ECE/High/FP

0549851 DOT/ECE/RHT/Low/DRL

0549881 DOT/ECE/RHT/High/Low/FP

0549861 ECE/LHT/Low

0549891 ECE/LHT/High/Low/FP



If your vehicle is operated in the United States you do NOT need to connect the Front Position wire (red) unless your vehicle is equipped with a front position light.

8415 EVOLUTION

PRODUCT SPECIFICATIONS

Raw Lumen Output:

1,075 (High Beam); 430 (Low Beam)

Effective Lumen Output:

720 (High Beam); 240 (Low Beam)

Connector/Wiring:

PE 12110293

Operating Voltage:

10-30V DC

Current Draw:

High Beam: 1.14A @ 12V; 0.57A @ 24V DC

Low Beam: 0.41A @ 12V; 0.22A @ 24V DC

Retrofit Information:

4.5" Round (PAR36)

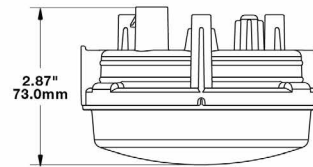
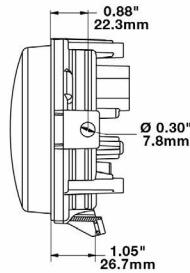
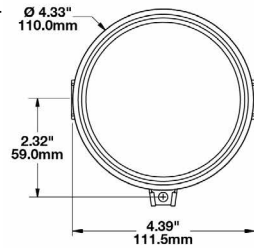
Standards:



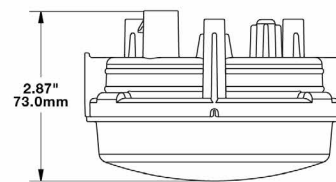
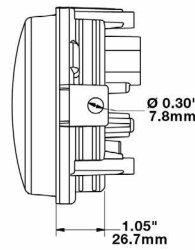
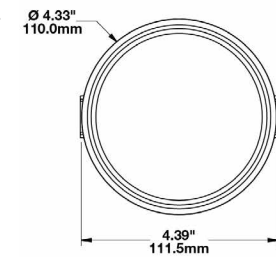
ADJUSTABLE MOUNT



ADJUSTABLE MOUNT



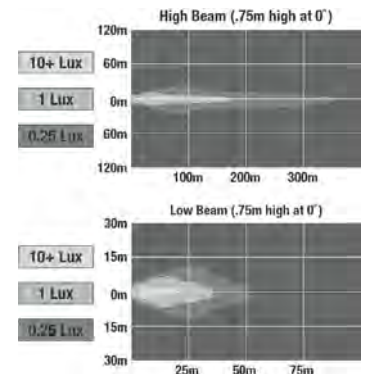
FIXED MOUNT



PART # DESCRIPTION

0551191	SAE/ECE/High/Low/Adjustable Mount
0551761	SAE/ECE/High/Low/Fixed Panel Mount
0552031	SAE/ECE/High/Low/Adjustable Mount - UL Version

If your vehicle is operated in the United States you do NOT need to connect the Front Position wire (red) unless your vehicle is equipped with a front position light.



MODEL 8620



PRODUCT SPECIFICATIONS

Raw Lumen Output:

1,620 (High Beam); 925 (Low Beam)

Effective Lumen Output:

850 (High Beam); 500 (Low Beam)

Candela Output:

41,000 (High Beam); 12,110 (Low Beam)

Connector/Wiring:

H4

Operating Voltage:

9-16V DC

Current Draw:

High Beam: 2.67A @ 12V DC

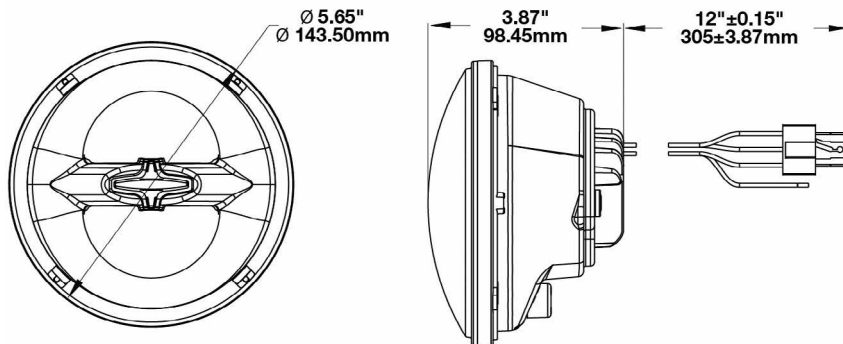
Low Beam: 1.67A @ 12V DC

Front Position: 0.13A @ 12V DC

Retrofit Information:

5.75" Round (PAR46)

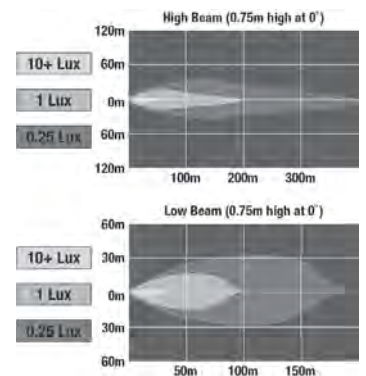
Standards:



PART #	BEZEL	DESCRIPTION
0553011	Chrome	DOT/ECE/High/Low

0553011 Chrome DOT/ECE/High/Low

For fitment information visit: www.jwspeaker.com/ymm



If your bike is operated in the United States you do NOT need to connect the Front Position wire (red) unless your bike is equipped with a front position light.

PRODUCT SPECIFICATIONS

Raw Lumen Output:

3,520 (High Beam); 2,120 (Low Beam)

Effective Lumen Output:

1,600 (High Beam); 1,050 (Low Beam)

Candela Output:

60,000 (High Beam); 8,300 (Low Beam)

Connector/Wiring:

H4

Operating Voltage:

9-16V DC

Current Draw:

Low Beam: 1.9A @ 12V DC

High Beam: 3.2A @ 12V DC

Front Position: 0.21A @ 12V DC

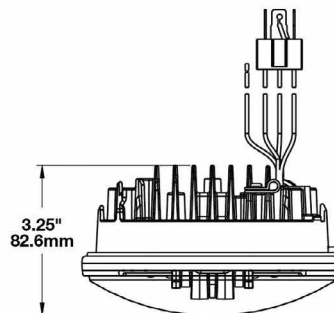
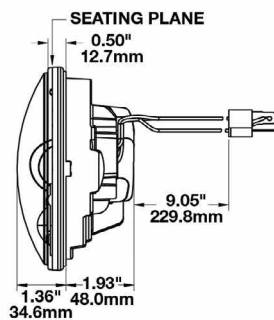
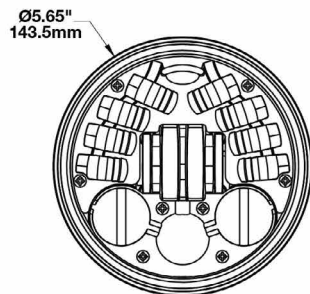
Low Beam at Full Lean: 4.2A @ 12V DC

High Beam at Full Lean: 5.5A @ 12V DC

Retrofit Information:

5.75" Round (PAR46)

Standards:



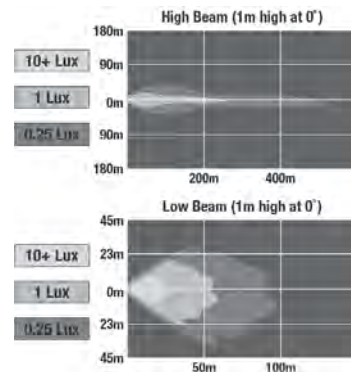
ADAPTIVE

PART #	BEZEL	DESCRIPTION
0555091	Black	DOT/ECE/High/Low
0555101	Chrome	DOT/ECE/High/Low

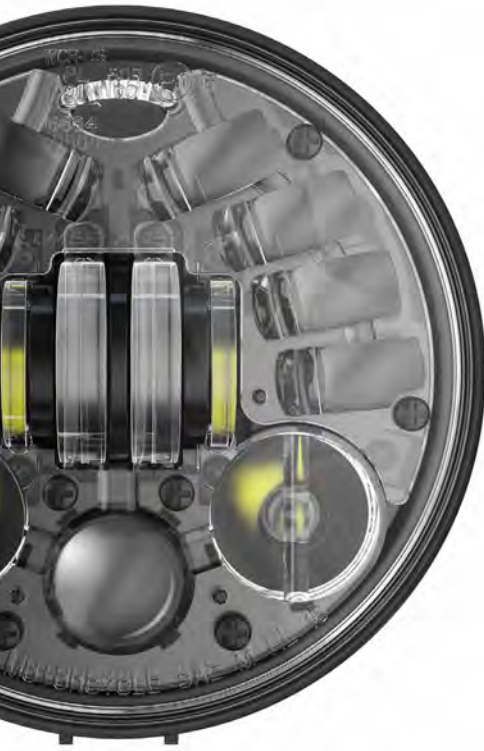
For fitment information visit: www.jwsspeaker.com/ymm

NON-ADAPTIVE

PART #	BEZEL	DESCRIPTION
0551681	Black	DOT/ECE/High/Low
0551731	Chrome	DOT/ECE/High/Low



If your bike is operated in the United States you do NOT need to connect the Front Position wire (red) unless your bike is equipped with a front position light.



PRODUCT SPECIFICATIONS

Raw Lumen Output:

3,520 (High Beam); 2,120 (Low Beam)

Effective Lumen Output:

1,600 (High Beam); 1,050 (Low Beam)

Candela Output:

60,000 (High Beam); 8,300 (Low Beam)

Connector/Wiring:

Bare Leads

Operating Voltage:

9-16V DC

Current Draw:

Low Beam: 1.9A @ 12V DC

High Beam: 3.2A @ 12V DC

Front Position: 0.21A @ 12V DC

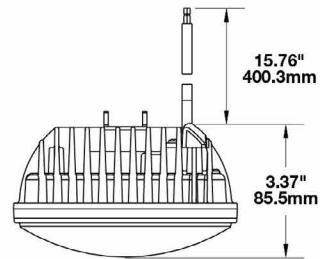
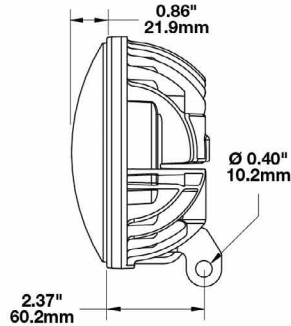
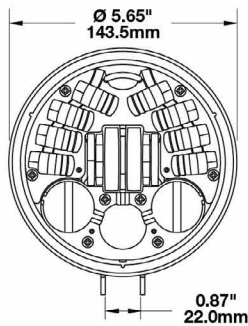
Low Beam at Full Lean: 4.2A @ 12V DC

High Beam at Full Lean: 5.5A @ 12V DC

Retrofit Information:

5.75" Round (PAR46)

Standards:



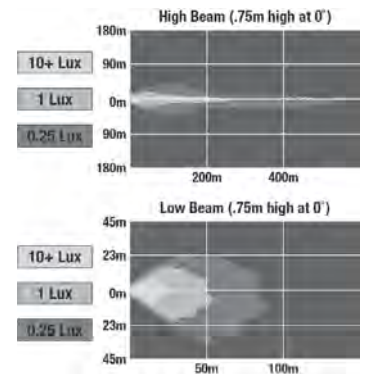
ADAPTIVE

PART #	BEZEL	DESCRIPTION
0555111	Black	DOT/ECE/High/Low
0555121	Chrome	DOT/ECE/High/Low

For fitment information visit: www.jwspeaker.com/ymm

NON-ADAPTIVE

PART #	BEZEL	DESCRIPTION
0552011	Black	DOT/ECE/High/Low
0552021	Chrome	DOT/ECE/High/Low



If your bike is operated in the United States you do NOT need to connect the Front Position wire (red) unless your bike is equipped with a front position light.

PRODUCT SPECIFICATIONS

Raw Lumen Output:

7,020 (High Beam); 4,240 (Low Beam)

Effective Lumen Output:

3,200 (High Beam); 2,040 (Low Beam)

Connector/Wiring:

H4

Operating Voltage:

9-16V DC

Current Draw:

Low Beam: 3.8A @ 12V DC

High Beam: 6.4A @ 12V DC

Front Position: 0.42A @ 12V DC

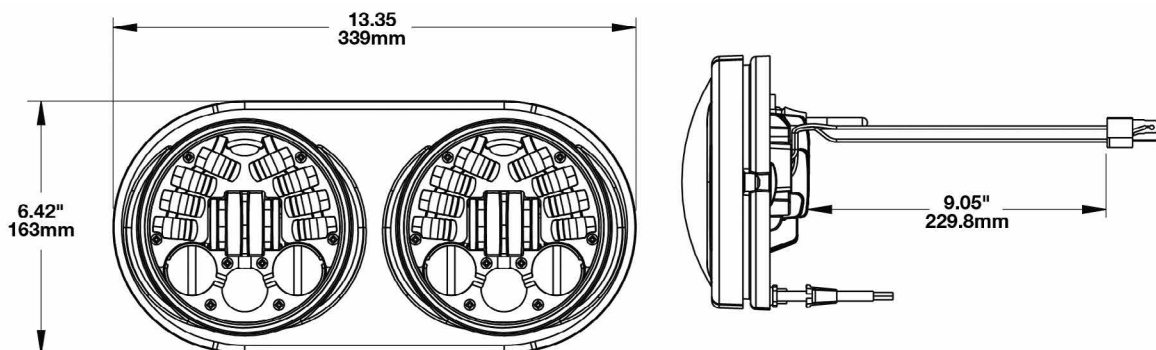
Low Beam at Full Lean: 8.4A @ 12V DC

High Beam at Full Lean: 11.0A @ 12V DC

Retrofit Information:

Fits 2013 and older Road Glide models

Standards:



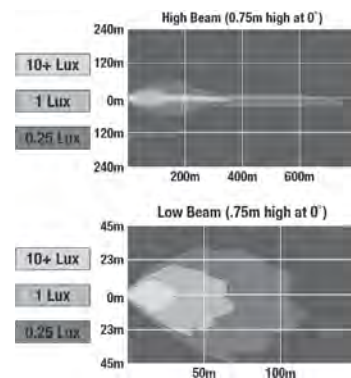
ADAPTIVE

PART #	BEZEL	DESCRIPTION
0555131	Black	DOT/ECE/High/Low
0555141	Chrome	DOT/ECE/High/Low

For more fitment information visit: www.jwspeaker.com/ymm

NON-ADAPTIVE

PART #	BEZEL	DESCRIPTION
0553951	Black	DOT/ECE/High/Low
0553961	Chrome	DOT/ECE/High/Low



If your bike is operated in the United States you do NOT need to connect the Front Position wire (red) unless your bike is equipped with a front position light.



PRODUCT SPECIFICATIONS

Raw Lumen Output:
3,520 (High Beam); 2,120 (Low Beam)

Effective Lumen Output:
1,600 (High Beam); 1,050 (Low Beam)

Candela Output:
60,000 (High Beam); 8,300 (Low Beam)

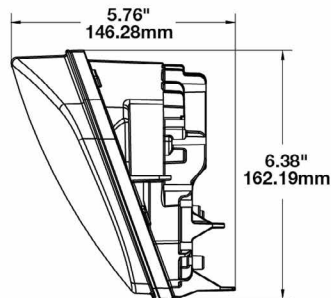
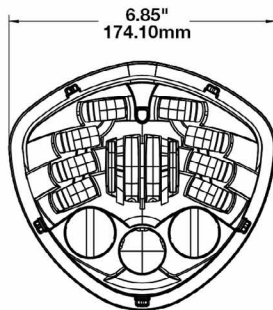
Connector/Wiring:
Integral Connectors

Operating Voltage:
9-16V DC

Current Draw:
Low Beam: 1.9A @ 12V DC
High Beam: 3.2A @ 12V DC
Low Beam at Full Lean: 4.5A @ 12V DC
High Beam at Full Lean: 5.5A @ 12V DC

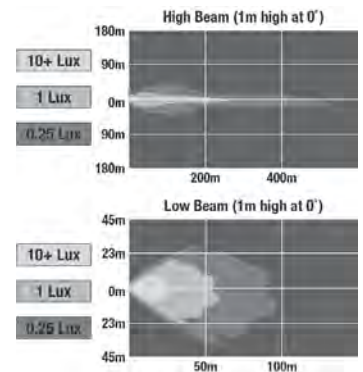
Retrofit Information:
Designed to fit Victory® motorcycles with diamond shaped headlights

Standards:



PART #	BEZEL	DESCRIPTION
0555151	Black	DOT/ECE/High/Low
0555161	Chrome	DOT/ECE/High/Low

For filament information visit: www.jwspeaker.com/ymm



8700 EVO 2 DUAL BURN

PRODUCT SPECIFICATIONS

Raw Lumen Output:

3,200 (High Beam); 1,770 (Low Beam)

Effective Lumen Output:

1,260 (High Beam); 750 (Low Beam)

Candela Output:

71,500 (High Beam); 35,003 (Low Beam)

Connector/Wiring:

H4

Operating Voltage:

9-32V DC

Current Draw:

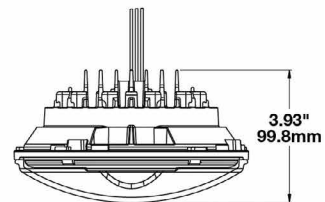
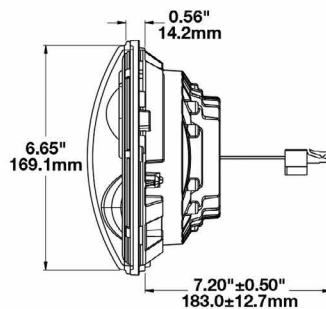
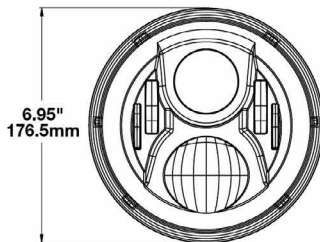
High Beam: 3.50A @ 12V; 1.80A @ 24V DC

Low Beam: 2.00A @ 12V; 1.10A @ 24V DC

Retrofit Information:

7" Round (PAR56)

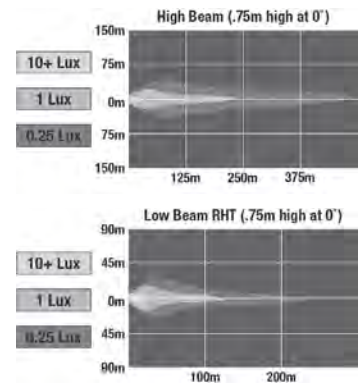
Standards:



PART #	BEZEL	DESCRIPTION
0554941	Black	DOT/High/Low
0554961	Chrome	DOT/High/Low
0554981	Black	DOT/High/Low with #3156351
0554991	Chrome	DOT/High/Low with #3156351

For fitment information visit: www.jwspeaker.com/yymm

PART #	ACCESSORIES
3156351	Mounting Ring Kit for 7" Round (PAR56) Headlights
8200411	H4 Wire Harness Kit 2014 & Newer Harley Bikes





8700 EVO 2 PRO

PRODUCT SPECIFICATIONS

Raw Lumen Output:

4,170 (High Beam); 2,340 (Low Beam)

Effective Lumen Output:

1,340 (High Beam); 694 (Low Beam)

Candela Output:

84,700 (High Beam); 30,600 (Low Beam)

Connector/Wiring:

H4

Operating Voltage:

9-32V DC

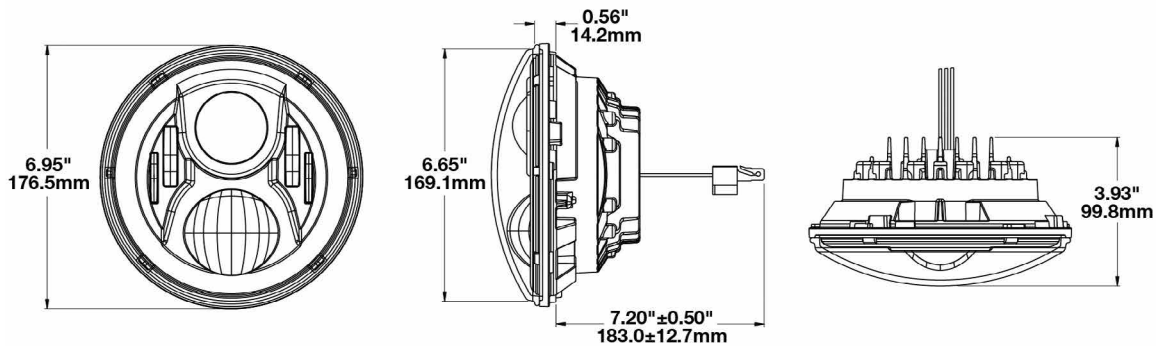
Current Draw:

High Beam: 3.60A @ 12V; 1.80A @ 24V DC
 Low Beam: 2.00A @ 12V; 1.10A @ 24V DC
 Front Position: 0.16A @ 12V; 0.10A @ 24V DC
 DRL: 1.60A @ 12V; 0.80A @ 24V DC

Retrofit Information:

7" Round (PAR56)

Standards:



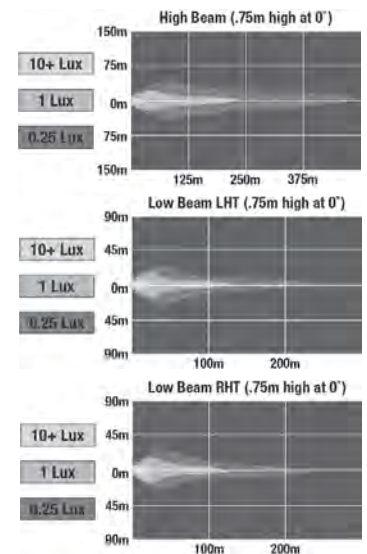
PART # BEZEL DESCRIPTION

0556961	Black	ECE/LHT/High/Low/FP/DRL
0556951	Chrome	ECE/LHT/High/Low/FP/DRL
0556981	Black	ECE/RHT/High/Low/FP/DRL
0556971	Chrome	ECE/RHT/High/Low/FP/DRL

For fitment information visit: www.jwspeaker.com/ymm

PART # ACCESSORIES

3156351	Mounting Ring Kit for 7" Round (PAR56) Headlights
8200411	H4 Wire Harness Kit 2014 & Newer Harley Bikes



MODEL 8720



PRODUCT SPECIFICATIONS

Raw Lumen Output:

1,620 (High Beam); 925 (Low Beam)

Effective Lumen Output:

850 (High Beam); 500 (Low Beam)

Candela Output:

41,000 (High Beam); 12,110 (Low Beam)

Connector/Wiring:

H4

Operating Voltage:

9-16V DC

Current Draw:

Front Position: 2.67A @ 12V DC

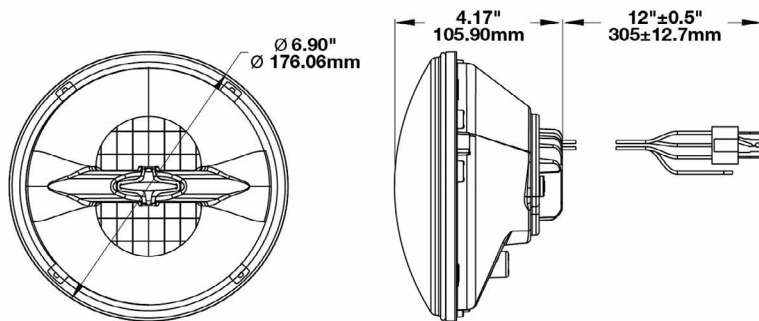
Low Beam: 1.67A @ 12V DC

Front Position: 0.13A @ 12V DC

Retrofit Information:

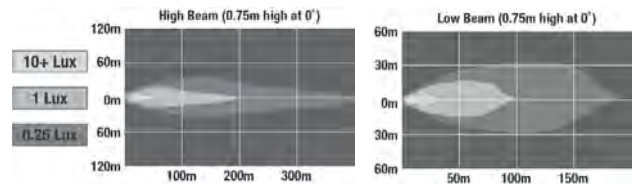
7" Round (PAR56)

Standards:



PART #	BEZEL	DESCRIPTION
0552861	Chrome	DOT/ECE/High/Low

For fitment information visit: www.jwspeaker.com/ymm



If your bike is operated in the United States you do NOT need to connect the Front Position wire (red) unless your bike is equipped with a front position light.



PRODUCT SPECIFICATIONS

Raw Lumen Output:

2,250 (High Beam), 2,025 (Low Beam)

Effective Lumen Output:

1,150 (High Beam), 850 (Low Beam)

Candela Output:

48,000 (High Beam), 1,150 (Low Beam)

Connector/Wiring:

H4

Operating Voltage:

9-16V DC

Current Draw:

High Beam: 2.9A @ 13.5V DC

Low Beam: 1.9A @ 13.5V DC

Front Position: 0.092A @ 13.5V DC

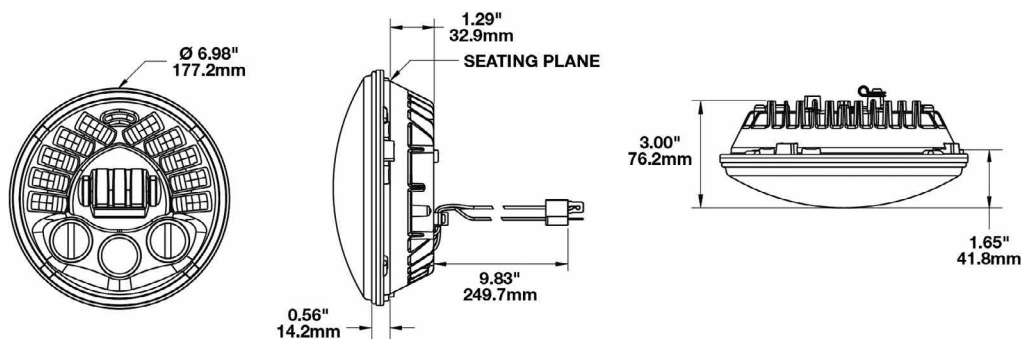
Low Beam at Full Lean: 3.5A @ 13.5V DC

High Beam at Full Lean: 4.5A @ 13.5V DC

Retrofit Information:

7" Round (PAR56)

Standards:



ADAPTIVE

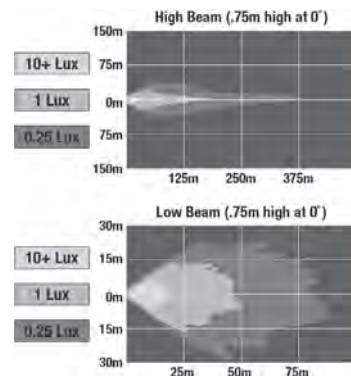
PART #	BEZEL	DESCRIPTION
0555011	Black	DOT/ECE/High/Low
0555031	Chrome	DOT/ECE/High/Low
0555051	Black	DOT/ECE/High/Low with #3156351
0555061	Chrome	DOT/ECE/High/Low with #3156351

For fitment information visit: www.jwspeaker.com/ymm

NON-ADAPTIVE

PART #	BEZEL	DESCRIPTION
0553421	Black	DOT/ECE/High/Low
0553431	Chrome	DOT/ECE/High/Low

PART #	ACCESSORIES
8200411	Wire Harness H4 for 7" Round (PAR56) Headlights (2014 & newer Harley bikes)
3156351	Mounting Ring Kit for 7" Round (PAR56) Headlights



If your bike is operated in the United States you do NOT need to connect the Front Position wire (red) unless your bike is equipped with a front position light.

8791 ADAPTIVE 2



PRODUCT SPECIFICATIONS

Raw Lumen Output:

2,250 (High Beam); 2,025 (Low Beam)

Effective Lumen Output:

1,150 (High Beam); 850 (Low Beam)

Candela Output:

48,000 (High Beam); 11,500 (Low Beam)

Connector/Wiring:

Bare Leads

Operating Voltage:

9-16V DC

Current Draw:

High Beam: 2.9A @ 13.5V DC

Low Beam: 1.9A @ 13.5V DC

Front Position: 0.092A @ 13.5V DC

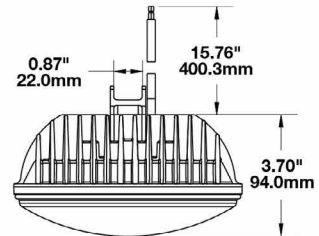
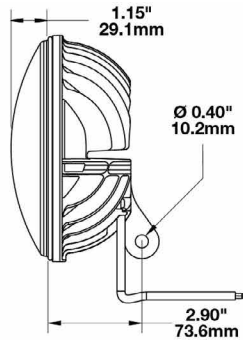
Low Beam at Full Lean: 3.5A @ 13.5V DC

High Beam at Full Lean: 4.5A @ 13.5V DC

Retrofit Information:

7" Round (PAR56) Pedestal

Standards:



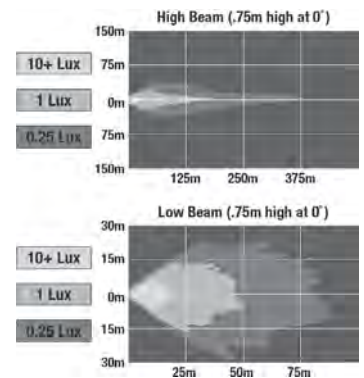
ADAPTIVE

PART #	BEZEL	DESCRIPTION
0555071	Black	DOT/ECE/High/Low
0555081	Chrome	DOT/ECE/High/Low

NON-ADAPTIVE

PART #	BEZEL	DESCRIPTION
0553441	Black	DOT/ECE/High/Low
0553451	Chrome	DOT/ECE/High/Low

For fitment information visit: www.jwspeaker.com/ymm



If your bike is operated in the United States you do NOT need to connect the Front Position wire (red) unless your bike is equipped with a front position light.



INDUSTRIAL

MODEL 93



PRODUCT SPECIFICATIONS

Raw Lumen Output:

630 (High Beam); 1,910 (Low Beam)

Effective Lumen Output:

230 (High Beam); 575 (Low Beam)

Candela Output:

45,000 (High Beam); 18,500 (Low Beam)

Connector/Wiring:

High Beam: Deutsch DT04-3P

Low Beam: Deutsch DT04-2P

Operating Voltage:

10-31V DC

Current Draw:

Low Beam: 1.97A @ 12V; 0.98A @ 24V DC

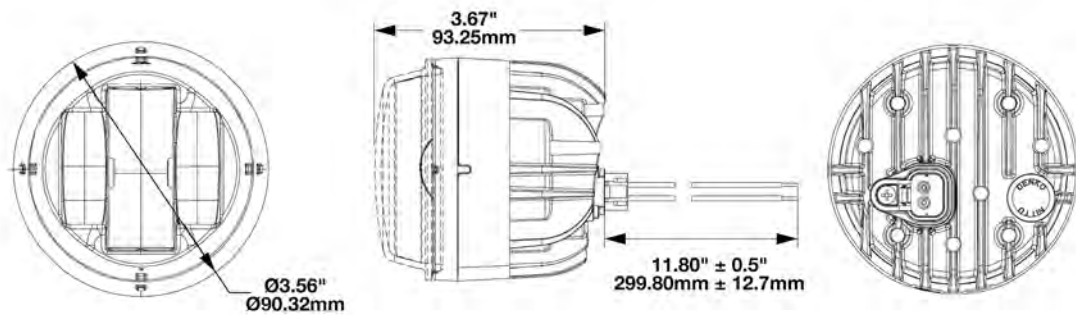
High Beam: 0.80A @ 12V; 0.40A @ 24V DC

Front Position: 0.40 @ 12V; 0.20 @ 24V DC

Retrofit Information:

Standard 90mm lamps

Standards:

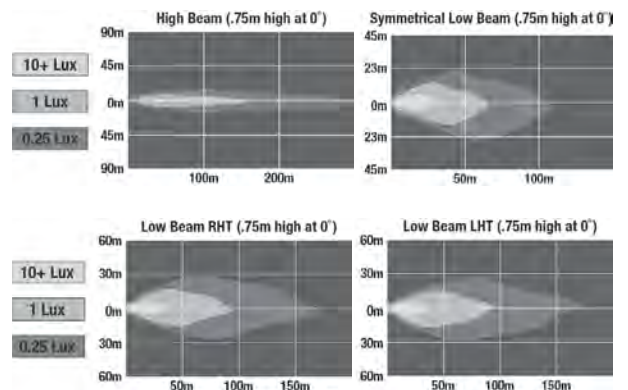


PART # DESCRIPTION

0553081	SAE/ECE/Reg113/Low
0553091	ECE/LHT/Reg112/Low
0553101	DOT/ECE/RHT/Reg112/Low
0553071	DOT/ECE/High
0554381	SAE/ECE/High with FP
0556701	SAE/ECE/Fog Lamp
0347941	SAE/ECE/DRL/Turn Signal

PART # ACCESSORIES

8001601	Single Lamp Pedestal Mount Bracket
8001461	1.5mm 3-Point Mount
8001471	3.0mm 3-Point Mount



MODEL 97

PRODUCT SPECIFICATIONS

Raw Lumen Output:

1,800 (High Beam); 1,600 (Low Beam)

Effective Lumen Output:

497 (High Beam); 321 (Low Beam)

Candela Output:

41,800 (High Beam); 14,600 (Low Beam)

Connector/Wiring:

Deutsch DT04-4P

Operating Voltage:

10-32V DC

Current Draw:

High Beam: 1.8A @ 12V; 1.0A @ 24V DC

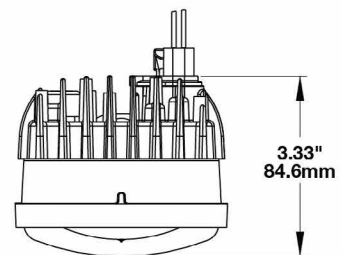
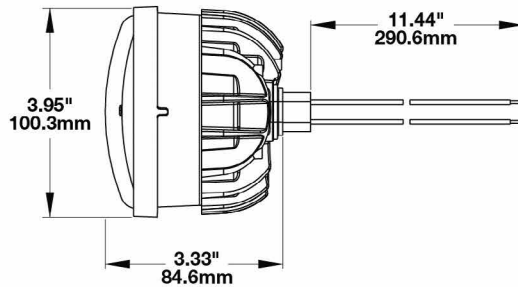
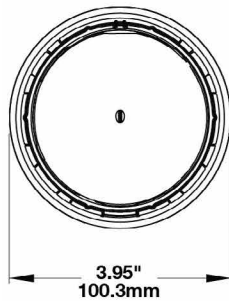
Low Beam: 1.5A @ 12V; 0.8A @ 24V DC

Front Position: 0.1A @ 12V; 0.06A @ 24V DC

Retrofit Information:

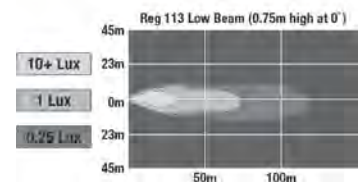
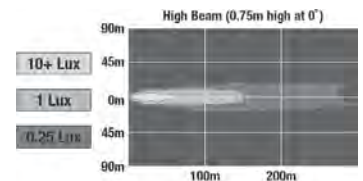
100mm Bi-LED Headlamp

Standards:



PART #	DESCRIPTION
0554831	DOT/ECE/RHT/High/Low/Reg 112
0554911	ECE/LHT/High/Low/Reg 112
0554921	DOT/ECE/High/Low/Reg 113

PART #	MOUNTING OPTIONS
8001511	3-Point Mount for 3mm Mounting Frame
8001521	Single Lamp Pedestal Mount Bracket



MODEL 515



PRODUCT SPECIFICATIONS

Raw Lumen Output:

540 Lumens (Low Beam)

Effective Lumen Output:

420 Lumens (Low Beam)

Connector/Wiring:

Integrated 4-Pin Deutsch Weather-Proof Socket (DT04-4P)

Operating Voltage:

9-60V DC

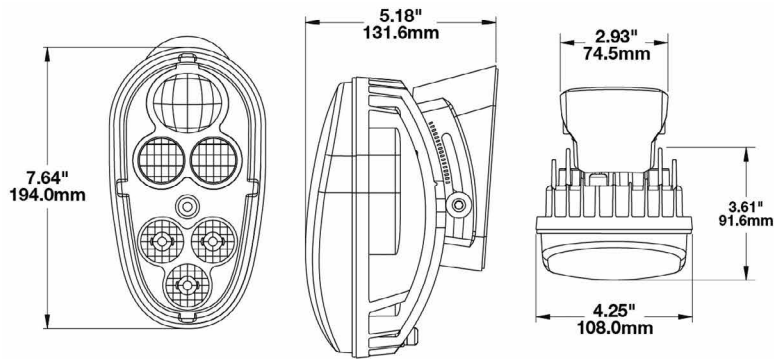
Current Draw:

Low Beam: 0.60A @ 12V; 0.30A @ 24V; 0.20A @ 36V; 0.15A @ 48V DC
 Front Position: 0.05A @ 12V; 0.05A @ 24V; 0.05A @ 36V; 0.05A @ 48V DC
 Turn Signal: 1.45A @ 12V; 0.70A @ 24V; 0.45A @ 36V; 0.40A @ 48V DC

Retrofit Information:

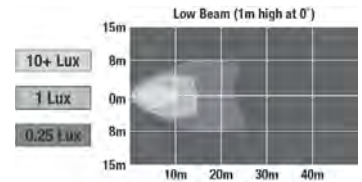
4" x 8" material handling headlight

Standards:



PART #	BEZEL	DESCRIPTION
0548901	Black	Material Handling Headlight
0549201	Chrome	Material Handling Headlight

PART #	ACCESSORIES
8200311	515 Base Mount Service Kit



MODEL 516

PRODUCT SPECIFICATIONS

Raw Lumen Output:
765

Effective Lumen Output:
380

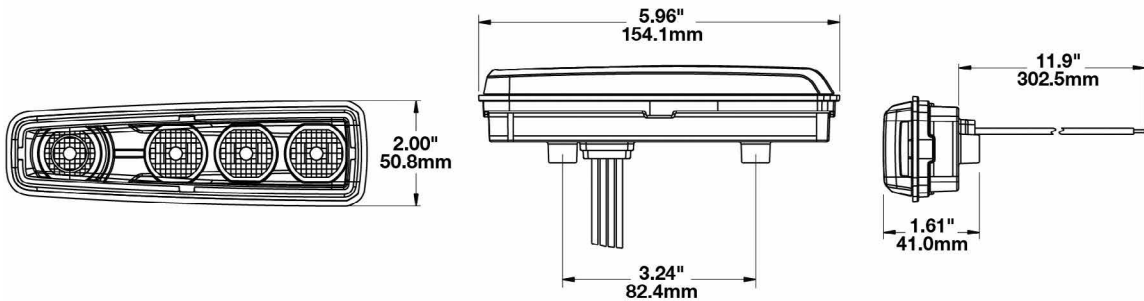
Connector/Wiring:
11" Bare Leads

Operating Voltage:
10-32V DC

Current Draw:
0.340A @ 24V DC

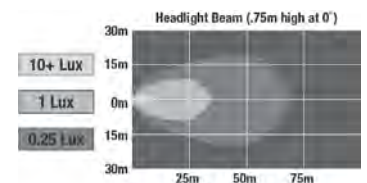
Retrofit Information:
2" x 6" material handling headlight

Standards:



PART # DESCRIPTION

0549481 Low /Turn Signal/Front Position



MODEL 710



PRODUCT SPECIFICATIONS

Raw Lumen Output:

2,000 (6 LEDs); 1,630 (3 LEDs)

Effective Lumen Output:

1,600 (6 LEDs); 780 (3 LEDs)

Connector/Wiring:

Integrated 3-Pin Packard (12129615)

Operating Voltage:

9-110V DC

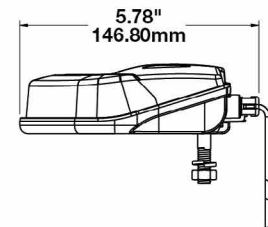
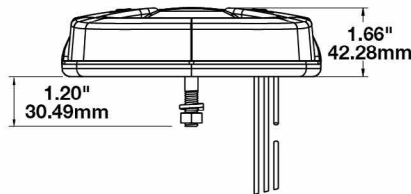
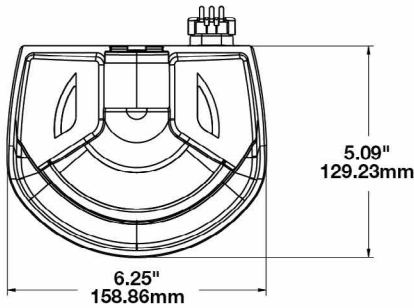
Current Draw:

3 LEDs: 1.54A @ 12V; 0.67A @ 24V; 0.33A @ 60V; 0.20A @ 110V DC

6 LEDs: 1.59A @ 12V; 0.74A @ 24V; 0.34A @ 60V; 0.23A @ 110V DC

Retrofit Information:

Compact work light, ideal for material handling equipment like forklifts

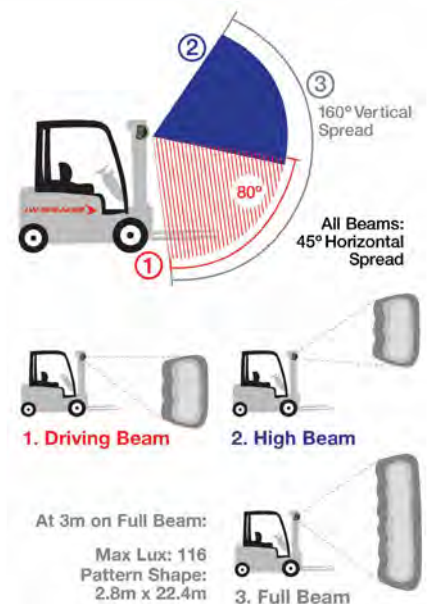


PART # DESCRIPTION

1000101 Vertical Flood Beam

PART # ACCESSORIES

8200501 Click Bond Stud Mounting Kit



MODEL 791

PRODUCT SPECIFICATIONS

Raw Lumen Output:

1,820 (Driving/Flood); 800 (Fog)

Effective Lumen Output:

1,200 (Driving/Flood); 250 (Fog)

Candela Output:

6,700 (Fog)

Connector/Wiring:

Driving/Flood: Deutsch DT04-2P

Fog: Integrated 2-Pin Deutsch Connector

Operating Voltage:

Driving/Flood: 9-32V DC

Fog: 10-18V DC

Current Draw:

Driving/Flood: 1.27A @ 12V; 0.78A @ 24V DC

Fog: 0.55A @ 10V; 0.88A @ 12V; 1.10A @ 18V DC

Retrofit Information:

6" x 2" Rectangle

Standards:



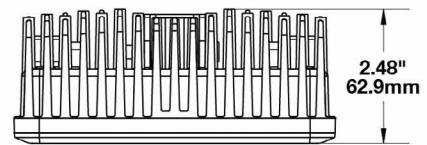
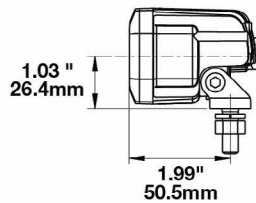
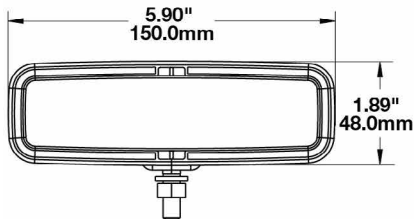
FOG



DRIVING

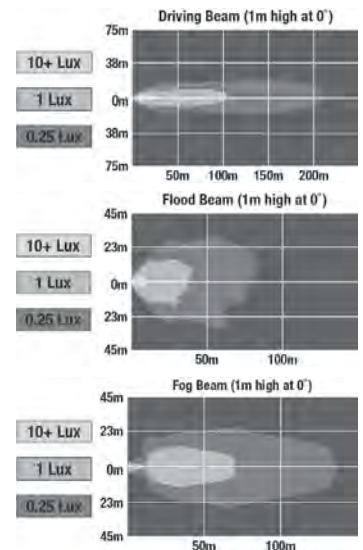


FLOOD

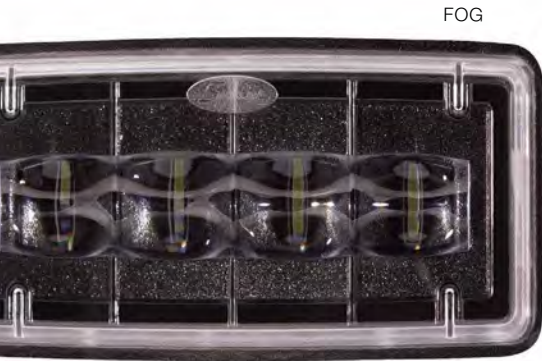


PART # DESCRIPTION

1603601	SAE/ECE/Fog
1603603	SAE/ECE/Fog/Kit of 2
1603511	Driving
1603521	Driving Light with Flood

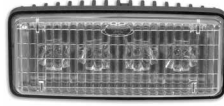


MODEL 6048



FOG

DRIVING



PRODUCT SPECIFICATIONS

Raw Lumen Output:

1,280 (Spot/Driving Beam); 800 (Fog Beam)

Effective Lumen Output:

520 (Spot Beam); 430 (Driving Beam); 250 (Fog Beam)

Candela Output:

8,600 (Spot Beam); 3,000 (Driving Beam)

Connector/Wiring:

Bare Leads

Operating Voltage:

Driving Beam & Spot Beam: 9-32V DC

Fog Beam: 9-18V DC

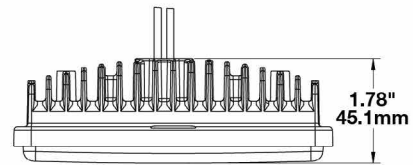
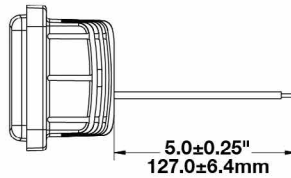
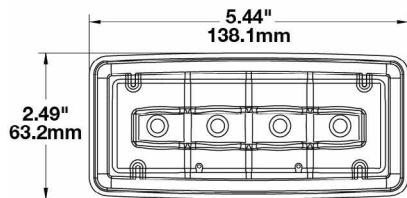
Current Draw:

1.2A @ 12V; 0.6A @ 24V DC

Retrofit Information:

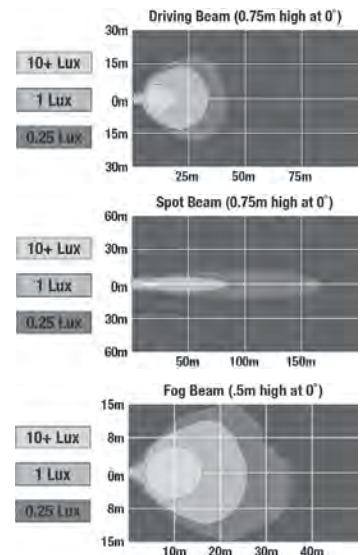
2" x 5" Rectangle

Standards:



PART # DESCRIPTION

0543591	Driving
0548631	Spot
0549691	SAE/ECE/Fog



6130 EVOLUTION

PRODUCT SPECIFICATIONS

Raw Lumen Output:

2,230 (High Beam); 1,330 (Low Beam)
1,760 (High Beam Only); 1,690 (Low Beam Only)

Effective Lumen Output:

840 (High Beam); 440 (Low Beam)
955 (High Beam Only); 640 (Low Beam Only)

Connector/Wiring:

12" Bare Wires

Operating Voltage:

10-30V DC

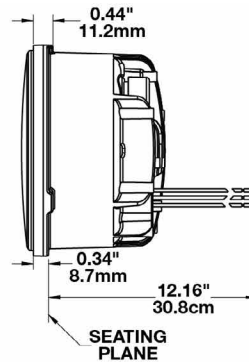
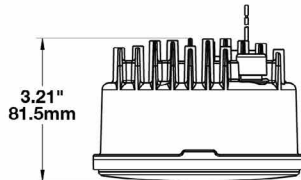
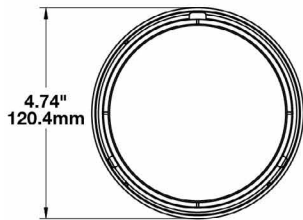
Current Draw:

High Beam: 3.00A @ 12V; 1.43A @ 24V DC
Low Beam: 2.30A @ 12V; 1.01A @ 24V DC
Front Position: 0.12A @ 12V; 0.09A @ 24V DC
DRL: 0.44A @ 12V; 0.24A @ 24V DC
High Beam Only: 1.84A @ 12V; 0.84A @ 24V DC
Low Beam Only: 2.07A @ 12V; 0.96A @ 24V DC

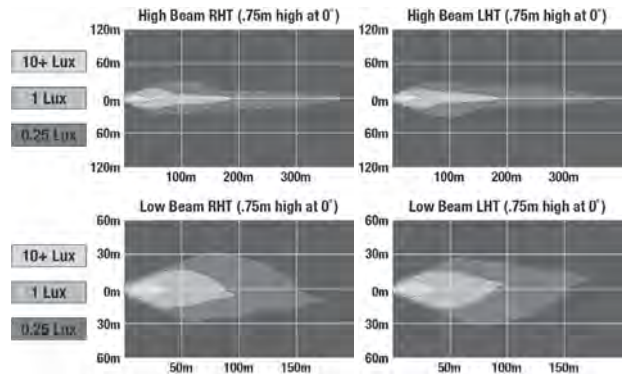
Retrofit Information:

4.75" Round

Standards:



PART #	DESCRIPTION
0549871	DOT/ECE/High/FP
0549851	DOT/ECE/RHT/Low/DRL
0549881	DOT/ECE/RHT/High/Low/FP
0549891	ECE/LHT/High/Low/FP
0549861	ECE/LHT/Low/DRL



If your vehicle is operated in the United States you do NOT need to connect the Front Position wire (red) unless your vehicle is equipped with a front position light.

8415 EVOLUTION



PRODUCT SPECIFICATIONS

Raw Lumen Output:
1,075 (High Beam); 430 (Low Beam)

Effective Lumen Output:
720 (High Beam); 240 (Low Beam)

Connector/Wiring:
PE 12110293

Operating Voltage:
10-30V DC

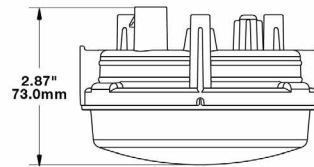
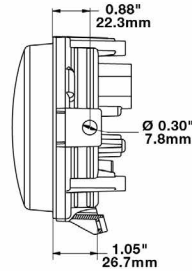
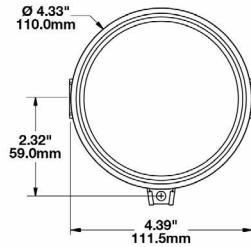
Current Draw:
High Beam: 1.14A @ 12V; 0.57A @ 24V DC
Low Beam: 0.41A @ 12V; 0.22A @ 24V DC

Retrofit Information:
4.5" Round (PAR36)

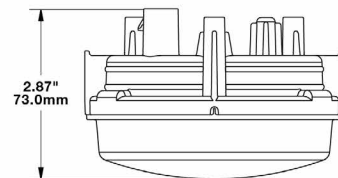
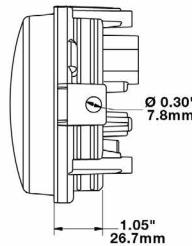
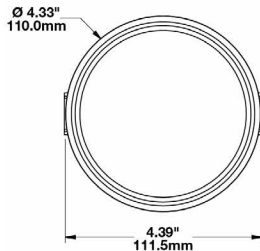
Standards:



ADJUSTABLE MOUNT

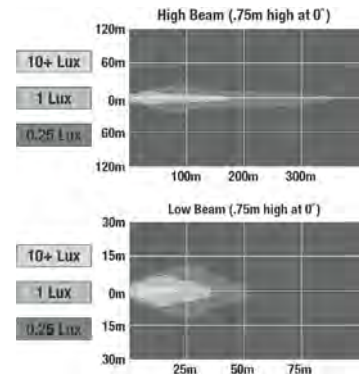


FIXED MOUNT



PART # DESCRIPTION

0551191	SAE/ECE/High/Low/Adjustable Mount
0552031	SAE/ECE/High/Low/Adjustable Mount - UL Version
0551761	SAE/ECE/High/Low/Fixed Panel Mount



PRODUCT SPECIFICATIONS

Raw Lumen Output:
2,200

Effective Lumen Output:
1,800 (Heated); 2,041 (Non-Heated)

Candela Output:
230,000 (Heated); 260,000 (Non-Heated)

Connector/Wiring:
Standard Sealed Beam Style Screw Terminal

Operating Voltage:
18-130V DC

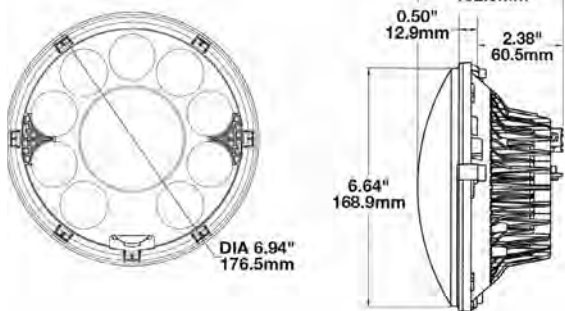
Current Draw:
Heated/Heater On:
High Output: 3.20A @ 24V; 1.20A @ 75V; 0.85A @ 110V DC
Low Output: 2.60A @ 24V; 0.85A @ 75V; 0.75A @ 110V DC
Non-Heated/Heater Off:
High Output: 2.10A @ 24V; 0.75A @ 75V; 0.55A @ 110V DC
Low Output: 1.00A @ 24V; 0.45A @ 75V; 0.30A @ 110V DC

Retrofit Information:
7" Round Locomotive Headlight

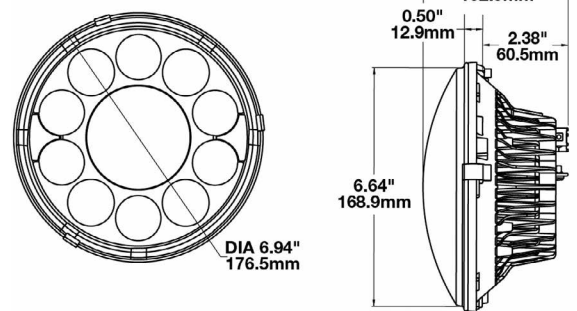
Standards:



HEATED



NON-HEATED

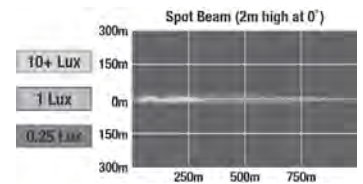


HEATED

PART #	DESCRIPTION
0551901	Locomotive Headlight with Spot

NON-HEATED

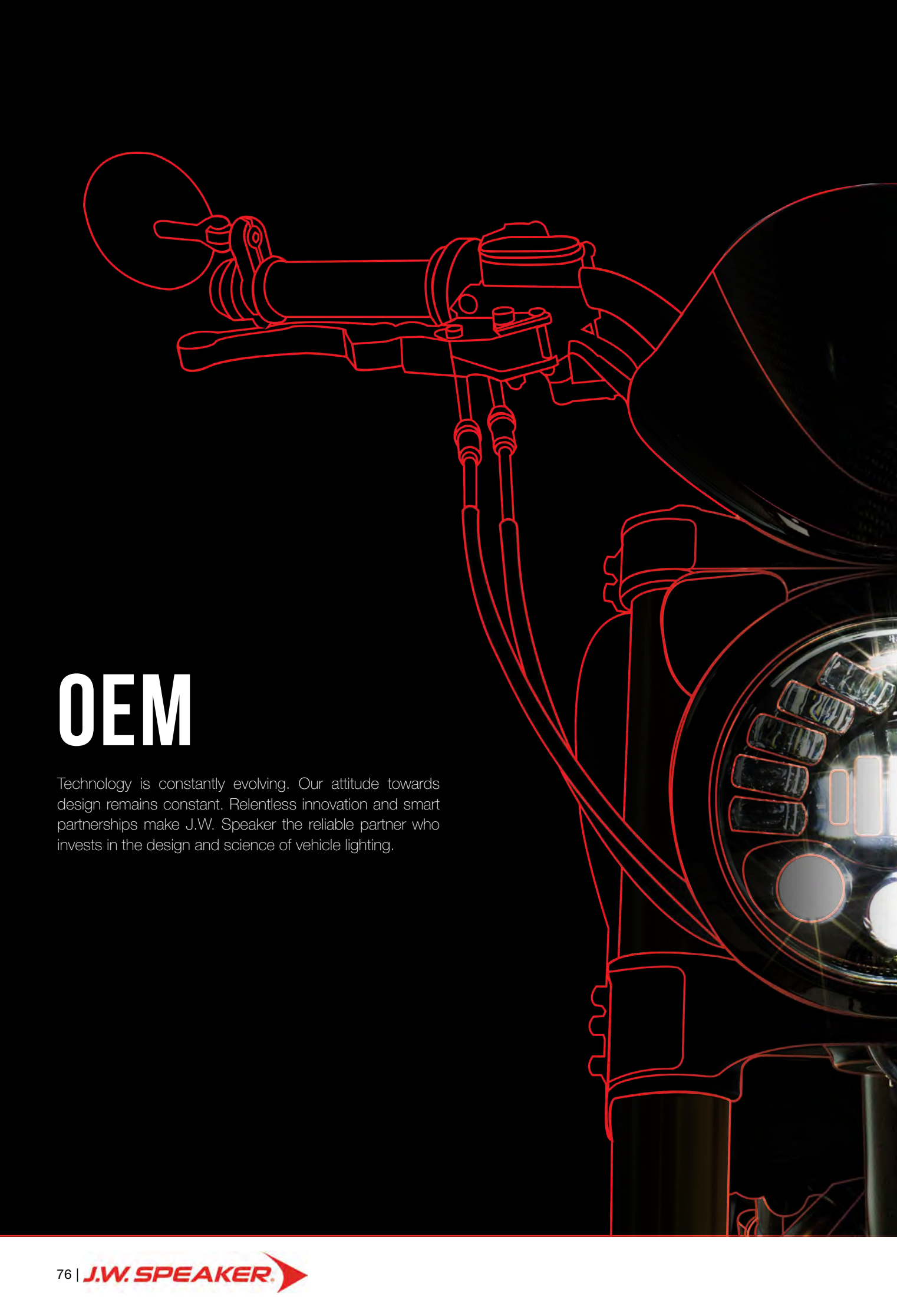
PART #	DESCRIPTION
0554601	Locomotive Headlight with Spot



INDEX

EVO J3	8 - 9
Model 93	22, 64
Model 93 M	46
Model 95	23
Model 97	24, 47, 65
Model 515	66
Model 516	67
Model 710	68
Model 791	25, 69
Model 6025	48
Model 6045	26, 49
Model 6048	27, 70
Model 6130 Evolution	50, 71
Model 6145 J2	10
Model 6146	11
Model 8415 Evolution	51, 72
Model 8620	52
Model 8630 & 8631 Evolution	28
Model 8632 Evolution	29
Model 8690 & 8690 Adaptive 2	53
Model 8691 & 8691 Adaptive 2	54
Model 8692 & 8692 Adaptive 2	55
Model 8695 Adaptive 2	56
Model 8700 Evolution 2 Dual Burn	12, 30, 57
Model 8700 Evo 2 Pro	13, 31, 59
Model 8700 Evo J Classic	14

Model 8700 Evolution J2	16
Model 8700 Evolution 2R	15
Model 8710	33
Model 8720	60
Model 8770 Gen 3	73
Model 8790 & 8790 Adaptive 2	61
Model 8791 & 8791 Adaptive 2	62
Model 8800 Evolution 2	17, 34
Model 8801 Evolution	35
Model 8900 Evolution 2	18, 36
Model 8910 Evolution 2	19, 37
Model 9800	38
Model 9800 HS (High Speed)	39
Model 9900 LP (Low Profile)	40



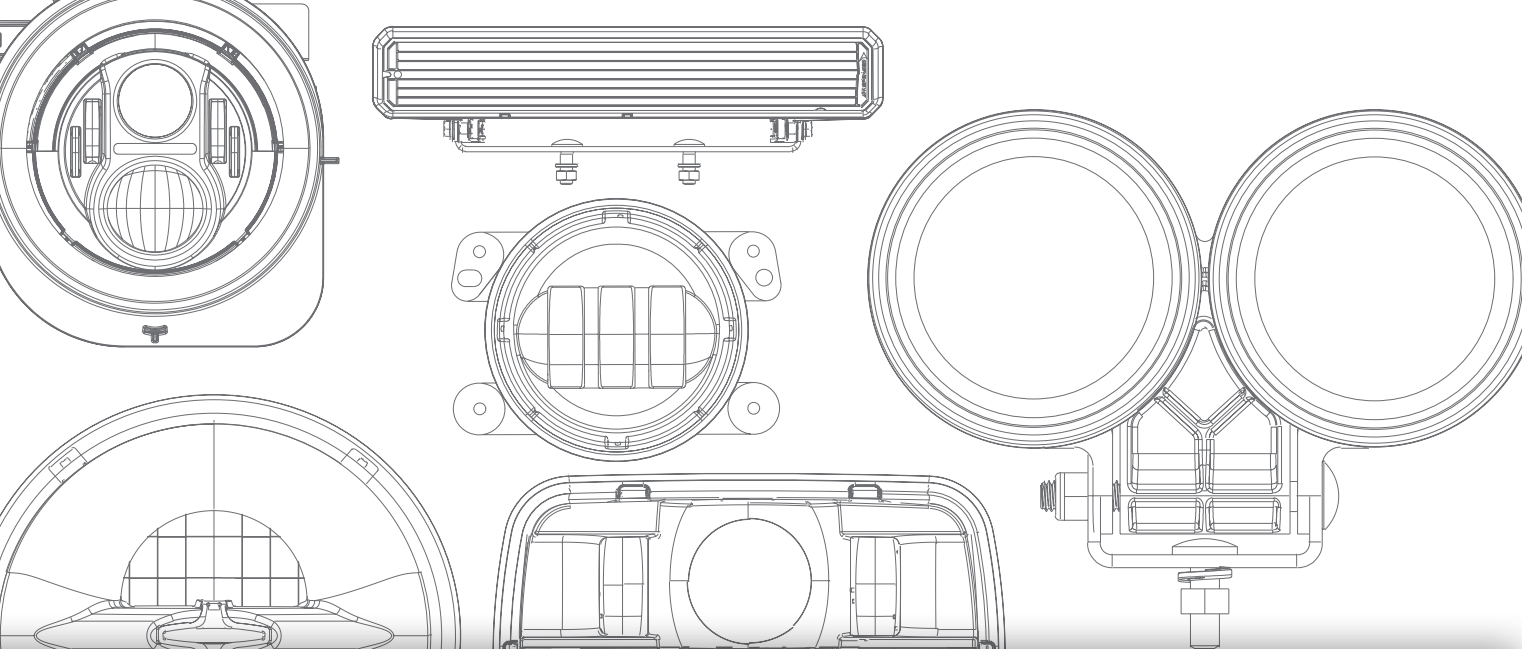
OEM

Technology is constantly evolving. Our attitude towards design remains constant. Relentless innovation and smart partnerships make J.W. Speaker the reliable partner who invests in the design and science of vehicle lighting.



AFTERMARKET

Look good or drive safely. That's often your choice with Aftermarket lights, but J.W. Speaker does not compromise. Our engineers and designers don't cut corners. The result is power and beauty that makes you feel good about the look of your vehicle — and your safety.



J.W. SPEAKER®
Engineered. Lighting. Solutions.

Family owned and operated since 1935.

We proudly design and engineer the best LED lighting products, all in Germantown, WI, U.S.A.

