

# Scorpion Siren and C3100 Speaker



## Scorpion Siren

### Description

The Scorpion™ has a siren tone selection at the touch of a button. Features include instant on, air horn, public address, radio rebroadcast, output short circuit protection, wail, yelp, HiLo, Hyperyelp, and is Banshee® siren amp compatible for additional features.

### Features and Benefits

- 100W
- Instant on
- Wail, Yelp, Hi-Lo and HyperYelp tones
- Air Horn
- Output short circuit protection
- Banshee® siren amp compatible for additional features

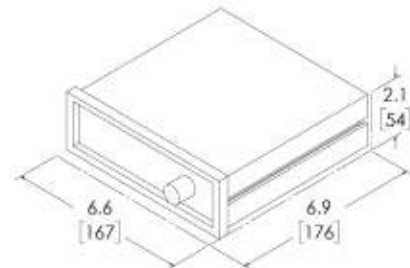
### Application

Fleet Vehicles, Trucks, Long-haul, Buses, Support Vehicles

### Tech Specs

|                    |                                |
|--------------------|--------------------------------|
| Voltage            | 12V DC                         |
| Wattage            | 100W                           |
| Approvals          | SAE J1849, California Title 13 |
| Warranty           | 5 years                        |
| Dimensions (DxWxH) | 6.9x6.6x2.1" (176x167x54mm)    |

| Part No. | Description  |
|----------|--|
| 3932MJ   | Siren Tone Control With PA and RRB, Mic Jack, 12V DC |
| 3930     | Siren Tone Control With PA Only, 12V DC              |
| 39304    | Siren Tone Control With PA Only, 24V DC              |
| 3932     | Siren Tone Control With PA and RRB, Perm Mic, 12V DC |



## C3100 Series Speaker

### Description

The efficient and powerful C3100™ Series works seamlessly with all Code 3 sirens. Easily install and mount on the vehicle's surface or grille with universal or vehicle-specific mounting brackets. Pair the speaker with the Banshee® amp to produce a low frequency tone.

### Features and Benefits

- Easy to install
- High efficiency
- Banshee® siren compatible for additional features

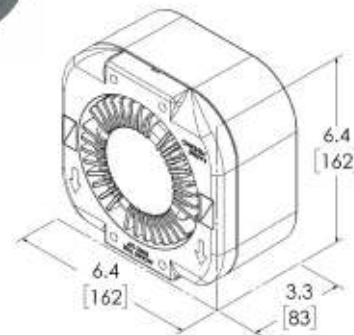
### Application

Fleet Vehicles, Trucks, Long-haul, Buses, Support Vehicles

### Tech Specs

|                    |                                |
|--------------------|--------------------------------|
| Voltage            | 12V DC                         |
| Wattage            | 100W                           |
| Approvals          | SAE J1849, California Title 13 |
| Warranty           | 5 years                        |
| Dimensions (DxWxH) | 3.3x6.4x6.4" (83x162x162mm)    |

| Part No. | Description   |
|----------|---|
| C3100U   | C3100 Series Siren Speaker, 12V DC, Universal bracket |
| C3100X   | C3100 Series Siren Speaker, 12V DC, No bracket        |



Authorised Importer and Master Distributor

