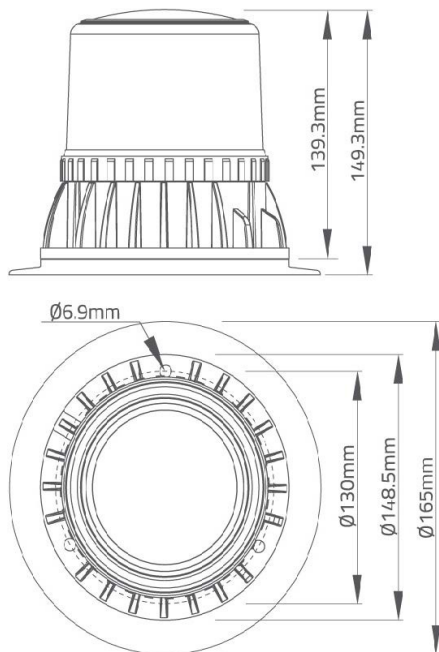


ECCO BF900

Tri-Colour LED Beacon



Description

The BF900 LED beacon. Featuring a powerful 3400 Lumen of high intensity LED output packed into an extremely rugged die-cast alloy based beacon with various selectable flash patterns. The BF900 series is proven, tough and sealed to IP67 with no moving parts, ensuring long working life with no maintenance. Joining the family, the RGB (Red/Green/Blue) and RAG (Red/Amber/Green) models expands the range with an all new LED and optic layout within the hardened polycarbonate lens and robust base that the BF900 range is known for.

Features and Benefits

- SAE Class 1 brightness
- CISPR 25 lvl 3 (BF900-03 & BF900-06 only)
- 150 or 210 rotations per minute functionality
- 18x LED (BF900-03 & BF900-06)/16x LED (BF900-00, BF900-04, BF904-00 & BF904-04)
- Gasket-sealed polycarbonate lens and gel-filled die-cast alloy base
- Heavy-duty flange or vacuum magnetic mount options
- 15 Flash Pattern (BF900-03 & BF900-06)/7 Flash Pattern (BF900-00, BF900-04, BF904-00 & BF904-04)
- Each LED colour can be triggered individually (Tri-Colour only)
- Temperature range: -40°C to 65°C (-40°F to 149°F)
- Suction magnetic base version features combination cigarette lighter and accessory (merit) plug (BF904-00 & BF904-04)

Tech Specs

Voltage	10-30V DC
Amps	2.28A
Base	Flange or Suction Magnetic
Lens	Amber or Clear
LED	Red/Green/Blue, Red/Amber/Green or Amber
Temperature Range	-40°C to 65°C (-40°F to 149°F)
Standards Compliance	CISPR 25 lvl 3 (BF900-03 & BF900-06 only), SAE Class I, IP67/69K, CE, RoHS

Part No.	Description
BF900-03	Clear Lens, Red/Green/Blue LED, 10-30V DC, 2.28A, Flange Base
BF900-06	Clear Lens, Red/Amber/Green LED, 10-30V DC, 2.28A, Flange Base
BF900-00	Amber Lens, Amber LED, 10-30V DC, 2.28A, Flange Base
BF900-04	Clear Lens, Amber LED, 10-30V DC, 2.28A, Flange Base
BF904-00	Amber Lens, Amber LED, 10-30V DC, 2.28A, Suction Magnetic
BF904-04	Clear Lens, Amber LED, 10-30V DC, 2.28A, Suction Magnetic



Authorised Importer and Master Distributor

