

Vision X Protex Flameproof Light

A Powerful and Energy Efficient Alternative



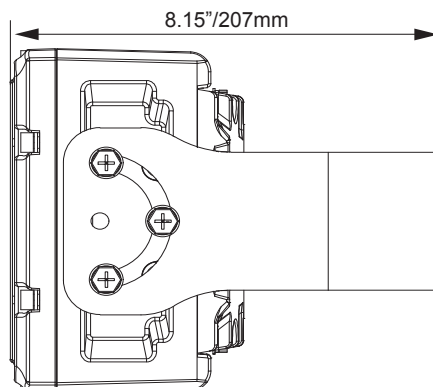
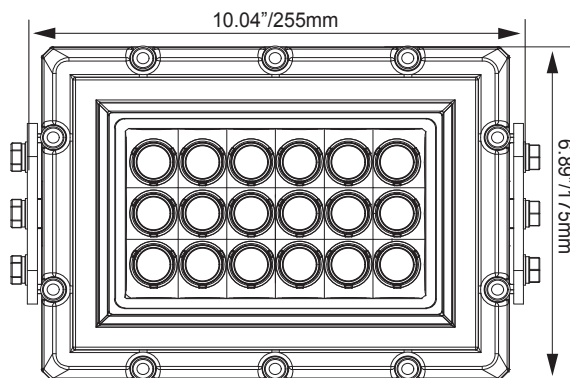
Description

The Protex Flameproof Light fixture from Vision X provides you with a powerful and energy efficient alternative to traditional hazardous lights. The Protex offers a compact design making it the perfect replacement for older fixtures that are too bulky or require high maintenance. The Protex is designed to be mounted on the interior or exterior for area illumination. This fixture features 18 High Output 3-Watt LEDs for a total of forty watts, and has an integrated 90-277V AC input range. The Die-Cast Aluminum Housing combined with a soda-lime glass lens allow the light to operate in any environment.

Tech Specs

Type	18 x XP-E (CREE) LEDs
Lumens	3,500 Lu
Beam Patterns	Spot 10° (SD), Narrow 25° (ND), Flood 60° (FD)
Colour Temperature	6000K
Voltage	90-277V AC (Standard), 480V AC (HV - High Voltage)
Wattage	40W
Current Draw	0.43A @ 115V AC, 0.22A @ 230V AC, 0.18A @ 277V AC
Operating Temperature	-40°C - 40°C
Vibration	15.6Grms
IP Rating	IP68, IP69k
Certifications / Ratings	ATEX/Ex: Zone 1, Zone 2, EX d, II B. EMC Emission: EN55015, EN55022 (CISPR22) Class B, EN61000-3-2, Class C (@Load ≥ 50%); EN61000-3-3. EMC Immunity: EN61000-4-2,3,4,5,6,8,11, EN61547, EN55024, Light Industry Level (surge immunity) Line-Earth 4KV, Line-Line 2KV
Short Circuit	Constant current limiting, recovers automatically after fault condition is removed
Housing and Lens	Die-Cast 6061 Aluminium, Black in color. Polycarbonate Lens
Weight	21 lbs (9.5kg)
Dimensions (D, W, H)	8.15x10.04x6.89" (207x255x175mm)

Part No.	eLumens	Beam	Voltage	Watts
MIL-EXP1810	3500 Lu	Spot 10°	90-277V AC	40W
MIL-EXP1825	3500 Lu	Narrow 25°	90-277V AC	40W
MIL-EXP1860	3500 Lu	Flood 60°	90-277V AC	40W



Authorised Importer and Master Distributor

