

PreView Sentry Plus Conxall Kit



Integrated Blindspot Safety System

Includes: Heavy-duty FMCW 24GHz Sentry Radar, PreView Plus 7" Monitor, 1 camera with 18m / 59' body harness, 7.5m / 25' Body Harness with Conxall Connectors, 90° Sensor Mounting Bracket



Tech Specs

Measuring Performance

Range	Prec-configured detection range - see parts table
Range Accuracy	0.3m
Azimuth Field of View	±75 degrees (10 dBsm target)
Elevation Field of View	±10 degrees (10 dBsm target)
Angle Accuracy	±2° @ ±10° FOV, ±5° @ ±30° FOV, ±10° @ ±75° FOV
Velocity Range	± 9 m/sec (± 20 mph)
Target Resolution	1.4 m for static targets, approaching 0.3 m for dynamic targets
Cycle Time	120 ms (A CAN bus target message is provided in every cycle.)
Water Tightness	IP 68 - IP 69K
Operating Temp	-40°C to +60°C
Salt Spray	ISO 9227
Housing	Plastic Aluminum
Lens	Hardened glass
Reflector	Free from reflector
Warranty	5 Years

Operating Conditions

Frequency	24.00 – 24.25 GHz
Power Supply	9 – 33 VDC, Reverse polarity and over-voltage protected
Current	<0.5 A
Operating Temperature	-40°C to +85°C
Storage Temperature	-55°C to +105°C
Shock	50G
Vibration	25 G, random, all three axis
Protection Rating	IP69K

Operating Modes

Detection Pattern	Fixed based on model number
Target Detection Time	300 ms
Power On to Active Time	300 ms

Communications Interface

J1939 CAN Bus	250 Kbits/sec, terminated with 120 ohm resistor
LED Interface	Switch to ground, sink up to 1A, over current protected

Physical Characteristics

Sealing	IP69K
Housing Material	Polycarbonate radome
Dimensions	4.90" (w) x 4.06" (h) x 1.28" (d) (12.4 cm x 10.3 cm x 3.25 cm)
Weight	13 lb (5.9 kg)
Mounting	Four 0.22" (5.6 mm) diameter mounting holes

Description

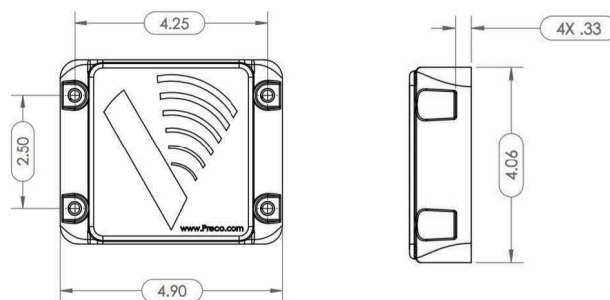
This PreView Sentry Conxall Kit is a plug-and-play heavy-duty radar solution with a pre-configured sensor range. The kit comes with the FMCW 24GHz Sentry radar sensor, 1 x PreView Plus Camera, 7" colour monitor, 18m / 59' camera extension, 7.5m / 25' heavy-duty body harness with Conxall connectors, and a 90° sensor mounting bracket.

Features and Benefits

- All-in-one Safety System Integrates Vision with Active Blind Spot Detection
- Combines best in class active blind spot detection radar with visual clarification camera and in-cab monitor
- PreView Plus provides operators with a heavy duty, all-in-one safety system by integrating a camera and monitor with Preco's patented radar sensor, operators have a single solution for active blind spot monitoring.

Applications

Heavy-duty object detection



Parts / Models

Part No.	Description
PST80031	PreView Sentry Conxall Kit with 3 x 1.2m Sensor, with Monitor and Camera
PST80043	PreView Sentry Conxall Kit with 4.5 x 3m Sensor, with Monitor and Camera
PST80062	PreView Sentry Conxall Kit with 6 x 2m Sensor, with Monitor and Camera
PST80063	PreView Sentry Conxall Kit with 6 x 3m Sensor, with Monitor and Camera
PST80064	PreView Sentry Conxall Kit with 6 x 4.2m Sensor, with Monitor and Camera
PST80066	PreView Sentry Conxall Kit with 6 x 6m Sensor, with Monitor and Camera
PST80084	PreView Sentry Conxall Kit with 8 x 4m Sensor, with Monitor and Camera

Authorised Importer and Master Distributor

