



FH575
FH577
CT530-2LDW

DT500
DT500FP-LWC
DF532

DS232

BACK-UP ALARMS

WARNING ALARMS

Surface Mount



SAE TYPE L
FH575 only

UL
CT530-2LDW
DT500FP-LWC
FH575
FH577 only

R10
IP64
DF532
DT500FP-LWC
CT530-2LDW only

IP65
DT500 only

ECCO's range of warning alarms offer a wide variety of warning sounds, including, constant tone, forward horn, dual tone and dual function.

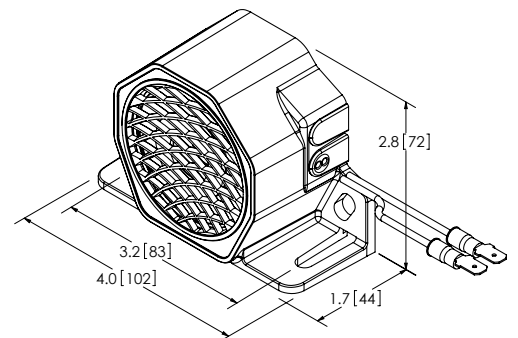
Models

PART NO.	VOLTAGE	dB(A)	AMPS	TYPE
CT530-2LDW	12-24	102	0.5	Constant Tone
FH575	12	107	0.5	Forward Horn
FH577	24-48	107	1.2	Forward Horn
DT500	12-24	97	0.5	Dual Tone
DT500FP-LWC	12-24	102	0.9	Dual Tone
DF532	12-24	102	0.3	Dual Function
DS232	12	97	0.2	Dual Sound

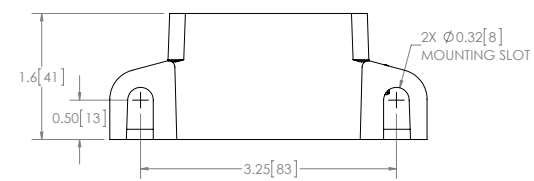
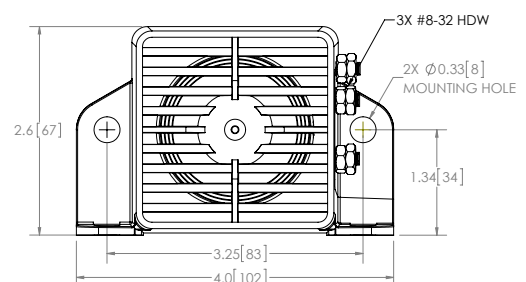
Design Features

- Sealed in epoxy for protection against dust, moisture and vibration
- Offers a wide variety of warning sounds
- Temperature range: -40°F to +185°F (-40°C to +85°C)

CT530-2LDW/FH575/FH577/DT500/DT500FP-LWC/DF532



DS232



Authorised Importer and Master Distributor

