

# ECCO 7945 and 7950 Series

## SAE Class II LED



### Description

The ECCO 7945 Series beacon from ECCO combines all the major benefits of the latest LED technology with a traditional, strobe style housing at a price point comparable to a strobe. Available in a 5<sup>2</sup> height profile, the 7945 is suitable for a wide range of applications where an SAE Class II light is required. The 7945 features 12-48VDC operation and 11 flash patterns.

Meanwhile, the ECCO 7950 Series Pulse II LED beacons offer SAE Class II light output and Pulse8 flash operation combined with a long maintenance-free service life and low amp draw. A cost effective choice for many applications, this easily replaces old rotating or strobe beacons with the latest technology. Both beacons have three different mounting options and are available in a range of colours.

### Features and Benefits

- 11 flash patterns
- Reinforced polypropylene base, polycarbonate lens
- Switched cigarette plug adapter (vacuum-magnet models)
- Temperature Range: -22°F to +122°F (-30°C to +50°C)

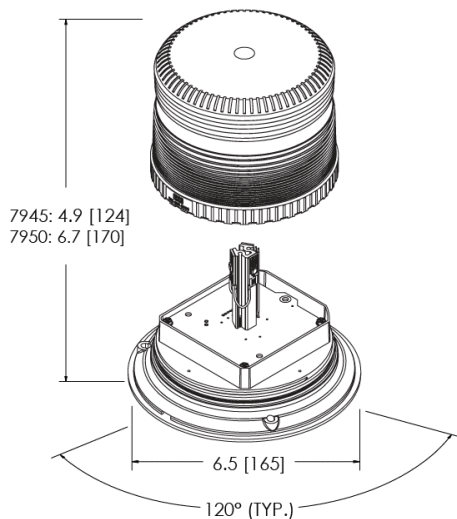
### Application

Construction, traffic management, emergency, mining, road works

### Tech Specs

Tech	LED
Voltage	12-48VDC
Amps	1.3A @ 12V DC
FPM	11
Color Options	Amber, Green, Red, Blue and Clear
Mount	3 Bolt Flange / 1 Pipe or Vacuum Mount

Part No.	Description
7945A	Amber, 3 Bolt / 1" Pipe Mount, 12-48V DC, 1.3A
7945A-VM	Amber, Vacuum-Mount, 12-48V DC, 1.3A
7945B	Blue, 3 Bolt / 1" Pipe Mount, 12-48V DC, 1.3A
7945B-VM	Blue, Vacuum-Mount, 12-48V DC, 1.3A
7945C	Clear, 3 Bolt / 1" Pipe Mount, 12-48V DC, 1.3A
7945C-VM	Clear, Vacuum Mount, 12-48V DC, 1.3A
7945G	Green, 3 Bolt / 1" Pipe Mount, 12-48V DC, 1.3A
7945G-VM	Green, Vacuum Mount, 12-48V DC, 1.3A
7945R	Red, 3 Bolt / 1" Pipe Mount, 12-48V DC, 1.3A
7945R-VM	Red, Vacuum-Mount, 12-48V DC, 1.3A
7950A	Amber, 3 Bolt / 1" Pipe Mount, 12-48V DC, 1.3A
7950A-VM	Amber, Vacuum-Mount, 12-48V DC, 1.3A
7950B	Blue, 3 Bolt / 1" Pipe Mount, 12-48V DC, 1.3A
7950B-VM	Blue, Vacuum-Mount, 12-48V DC, 1.3A
7950C	Clear, 3 Bolt / 1" Pipe Mount, 12-48V DC, 1.3A
7950C-VM	Clear, Vacuum-Mount, 12-48V DC, 1.3A
7950G	Green, 3 Bolt / 1" Pipe Mount, 12-48V DC, 1.3A
7950G-VM	Green, Vacuum-Mount, 12-48V DC, 1.3A
7950R	Red, 3 Bolt / 1" Pipe Mount, 12-48V DC, 1.3A
7950R-VM	Red, Vacuum-Mount, 12-48V DC, 1.3A



Authorised Importer and Master Distributor

