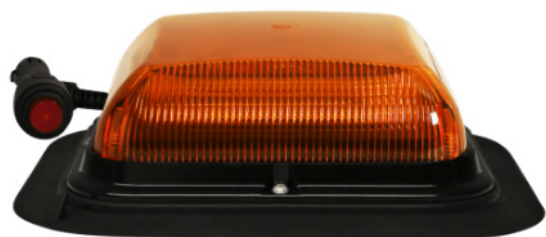


ECCO EB7180 Series

SAE Class I LED Light



Description

EB7180 LED beacons offer SAE Class I light output and a choice of 8 flash patterns including simulated rotate mode with synchronisation capability. Combined with a long, maintenance free service life and low amp draw, this beacon is a high performance, cost effective choice for many applications. Easily replace strobe or rotating beacons with the latest technology so no ongoing maintenance is required. Vacuum-Magnet models feature a 381mm straight cigarette cord with switched plug.

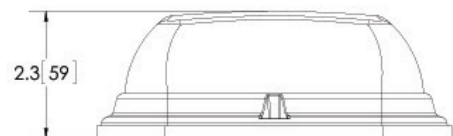
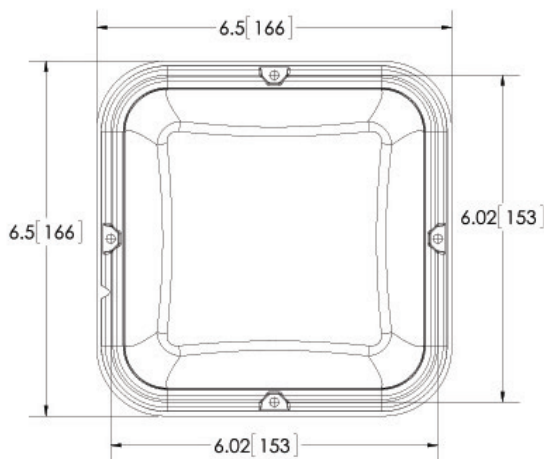
Features and Benefits

- Compact, low profile beacon
- 8 flash patterns including simulated rotate
- Multiple units can be synchronized
- Cigarette plug with on/off and flash pattern switch (vacuum magnet only)

Tech Specs

Voltage	12-24V DC
Flash Pattern	• Single, 125 FPM
	• Double, 125 FPM
	• Quad, 125 FPM
	• Rotate, 125 FPM
	• Single, 75 FPM
Temperature	• Double, 75 FPM
	• Quad, 75 FPM
	• Rotate, 75 FPM
Temperature	-22°F to +122°F (-30°C to +50°C)
Amps	6.2A @ 12-24V DC
Mount	4 Bolt Flange or Vacuum Magnet
Lens	Amber or Clear/Amber or Clear
Standards Compliances	SAE J845 Class I, CAL. TITLE 13, R10, IP55, AMECA
Warranty	3 Years

Part No.	Description
EB7180A	12-24V DC, 6.2A @ 12-24V DC, Amber, 4 Bolt Flange Mount
EB7180A-VM	12-24V DC, 6.2A @ 12-24V DC, Amber, Vacuum Magnet Mount
EB7180CA	12-24V DC, 6.2A @ 12-24V DC, Clear/Amber, 4 Bolt Flange Mount
EB7180CA-VM	12-24V DC, 6.2A @ 12-24V DC, Clear/Amber, Vacuum Magnet Mount
EB7180CC	12-24V DC, 6.2A @ 12-24V DC, Clear, 4 Bolt Flange Mount
EB7180CC-VM	12-24V DC, 6.2A @ 12-24V DC, Clear, Vacuum Magnet Mount



Authorised Importer and Master Distributor

