

# ECCO 6600 Series

## SAE CLASS I Strobes



**ECCO 6650A**



**ECCO 6670A**



**ECCO 6690A**

### Description

ECCO's 6600 Series strobes feature a sturdy die-cast aluminum base and manual control of hi/lo light intensity and flash pattern selection (double or quad) via a circuit board-mounted microswitch.

### Features and Benefits

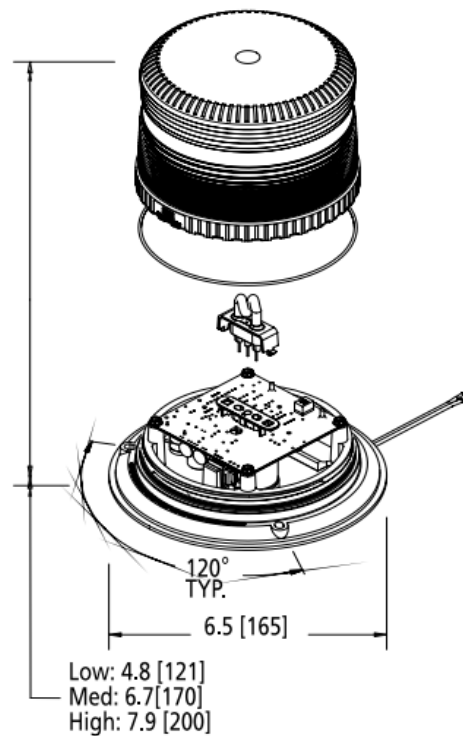
- Die-cast aluminum base is coated against corrosion and designed for vibration resistance and heat dissipation
- Thread-on polycarbonate lens and snap-fit flashtube allows easy field service
- Shock-resistant circuit board mounting incorporates seven support points
- Circuit board is conformal-coated to prevent corrosion

### Tech Specs

Voltage	12-24V DC
Amps	2.2A @ 12V DC
FPM	70
Mount	3 Bolt/1" Pipe or Vacuum-Magnet Mount
Profile	Low (6650A, 6650A-VM), Medium (6670A, 6670A-VM), High (6690A, 6690A-VM)
Temperature Range	-22°F to +122°F (-30°C to +50°C)
Standards Compliances	SAE CLASS II, CE, R10
Warranty	Strobe: 2 Years, Flashtube: 6 Months

### Part No. Description

6650A	Low Profile, 12-24V DC, 2.2A @ 12V DC, 65 FPM, 3 Bolt/1" Pipe Mount
6670A	Medium Profile, 12-24V DC, 2.2A @ 12V DC, 65 FPM, 3 Bolt / 1" Pipe Mount
6690A	High Profile, 12-24V DC, 2.2A @ 12V DC, 65 FPM, 3 Bolt / 1" Pipe Mount
6650A-VM	Low Profile, 12-24V DC, 2.2A @ 12V DC, 65 FPM, Vacuum Magnet Mount
6670A-VM	Medium Profile, 12-24V DC, 2.2A @ 12V DC, 65 FPM, Vacuum Magnet Mount



Authorised Importer and Master Distributor

