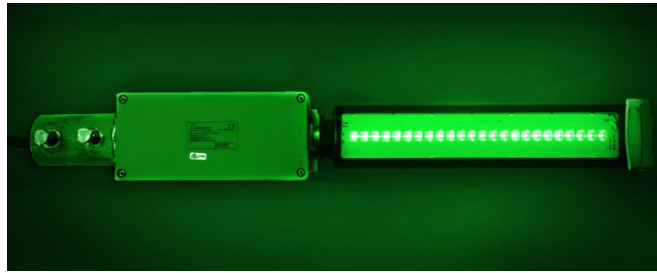


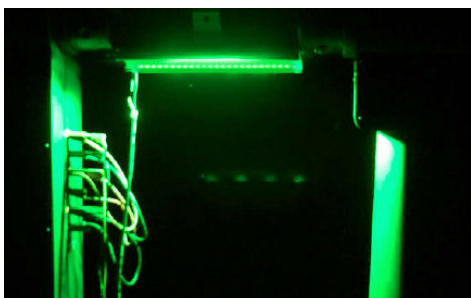
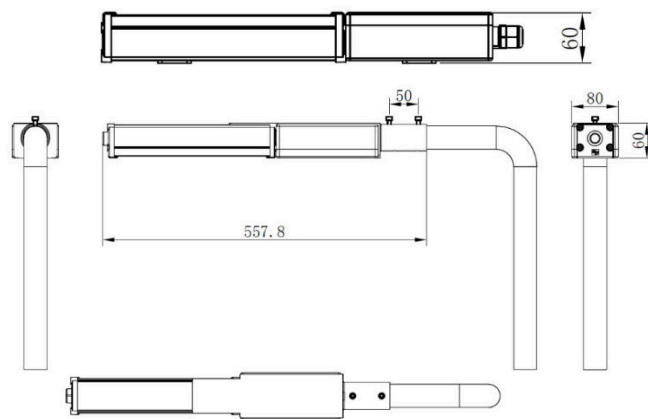
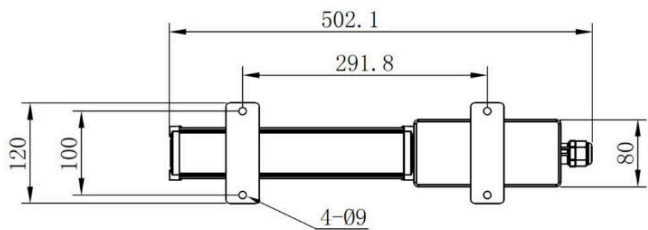
APS LY400 Eye-wash Station LED Green Light



Green Eye-wash Station Light with EMB



Spigot Ø 32-40mm



Description

Accidents can occur and sometimes, a green eye-wash station can be a life-line for the personnel affected. With immediate action needing to be taken to avoid permanent damage, the eye-wash LED must be reliable at all times. A super high visibility light to help identify the eye-wash station when eyesight has been compromised, the APS LY400 Eye-wash Station LED Green Light with EMB provides a minimum of 90 minutes of lighting for safe egress in the case of power failure. CE certified and meeting RCM compliance, the versatile 120-264V AC fixture features pole and bulkhead mounting configurations and a batwing beam pattern to improve the visibility of eye-wash indicator luminaire.

Features and Benefits

- High light efficiency and stability
- 2,600 eLumens
- High quality LED chips that provide the lamp with light efficiency and stability of an industrial grade
- Angled mounting bracket and wide beam light
- 90 minute emergency back-up time

Application

Green eye-wash stations

Tech Specs

Lumens	2600 eLu
Colour Temperature	5500-6000K
Voltage	120-264V AC
Wattage	22W
Beam Angle	140°
Humidity	10% ~ 95% (no coagulation)
Operating Temperature	-30°C to +60°C
IP Rating	IP65
Housing	Forged aluminum alloy
Lens	Tempered Glass
Mount	Pole (spigot) Ø 32-40mm, Flat (bulkhead)
Weight	2.0 kg (4.41 lbs)

Part No.	Description
LY400-B-22W-GRN	Eye-wash Station LED Green Light with EMB, 140° Beam, 2600 Lu, 120-264V AC, 22W, flat bracket (bulkhead mount), 5m cable
LY400-P-22W-GRN	Eye-wash Station LED Green Light with EMB, 140° Beam, 2200 Lu, 120-264V AC, 22W, 40mm pole (spigot mount), 5m cable



Authorised Importer and Master Distributor

