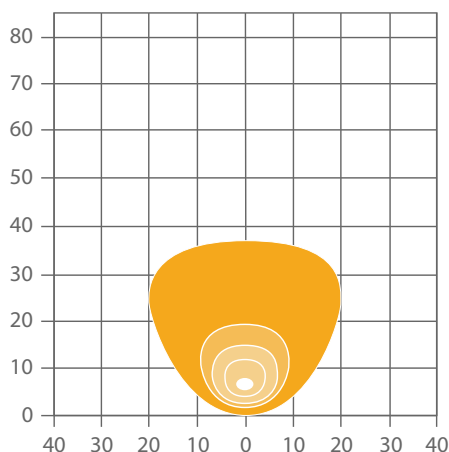
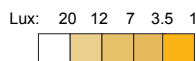
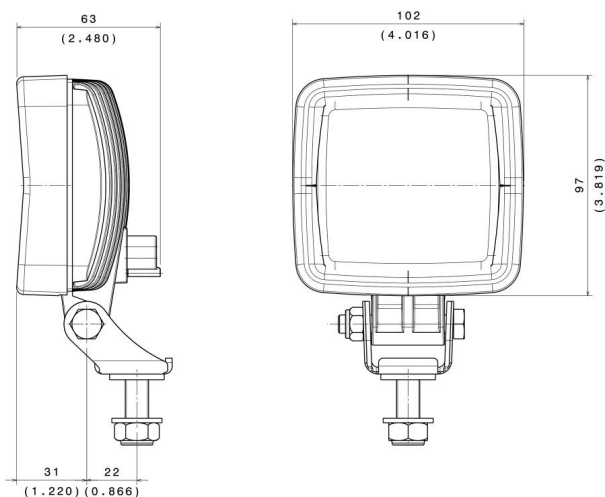
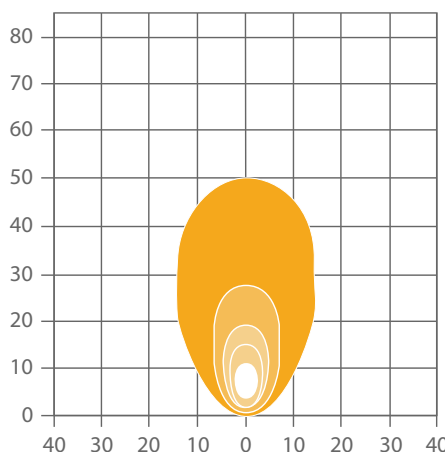


ABL SL LED1000

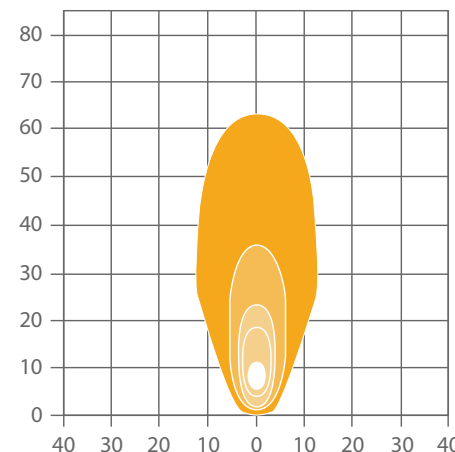
Compact LED Series



Asymmetrical Flood



Flood



Long Range

Description

The ABL SL LED1000 is a standard work light with R23 reverse approval that includes features such as 1000 lumens, 14 watts and EMC CISPR25 class 5 as well as the integrated load dump to meet the most severe specifications.

Application

Heavy equipment, mining, construction, road and utility equipment, forestry, agriculture

Tech Specs

Type	Reverse work light (R23 reverse approved)
Voltage	12-24V DC
Tech	LED
Wattage	14W
Current	0.58A @ 24V DC
Lumens	1000 Lu
Operating Temperature	-40°C to +85°C
Beam Pattern	Flood, Long Range or Asymmetrical Flood
Connector	AMP 2 pin, DT 2 pin
Mounting	Pedestal, suspended
Lens Material	Hardened glass, Plastics
Dimensions (DxLxH)	2.24x3.97x3.81" inches (57x101x97mm)
Weight	0.9 lbs (0.45kg)
Load Dump / Surge Dump	Surge: 36V continuous / ISO 7637-2 Pulse 5a
IP Rating	IP68 / 69K
Polarity	Protected against reverse voltage
Salt Spray Test	ISO 9227
Vibration Resistance	15 Grms @ 24-2000Hz
Shock Resistance	60G
EMC	ISO 13766, ISO 14982, ISO 12985, CISPR25 Class 5
Warranty	4 Years

Part No.	Description
SL1000F	Flood, 1000 Lu, 12-24V DC, 0.58A @ 24V DC, 14W
SL1000LR	Long Range, 1000 Lu, 12-24V DC, 0.58A @ 24V DC, 14W
SL0500FA	Asymmetrical Flood, 1000 Lu, 12-24V DC, 0.58A @ 24V DC, 14W



Authorised Importer and Master Distributor

