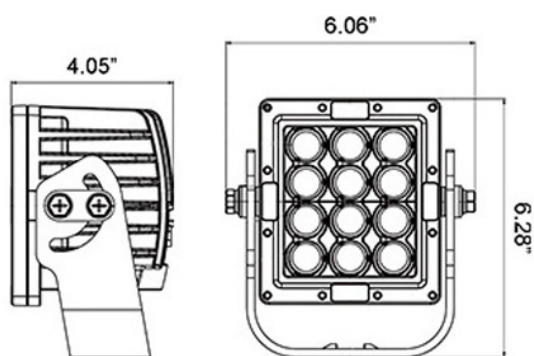


# Vision X Ripper Heavy Duty 12 LED

60Grms Rated for High Vibration Applications



## Description

The Ripper MXL RXP 24V LED Work Lamp by Vision X was designed for high vibration applications and was named after the ripper mount on a dozer. It features a mining-grade build, heavy-duty stainless steel brackets and a phosphorescent True Glow safety glow feature that is self-charging. The Ripper provides a direct 1 for 1 replacement for HID lighting on vehicles.

## Features and Benefits

- LEDs: 12 x 5W (60W Total)
- Beam Patterns: 10°, 25°, 40°, 60°, 90°, 30x65°
- Vibration Rating: 60 Grms
- Voltage: 18-65V DC (24V only will not operate on 12V DC)
- Raw Lumens: 6,336 Lu, Effective Lumens: 3,575 Lu
- EMC/EMI Approval: CISPR25-Class 3
- Certifications: CE, RoHS, IEC 62471, IP69K
- Low Power Draw: 2.5A @ 24V DC
- Polycarbonate Lens, Aluminium Housing
- True Glow optic holder

## Applications

Heavy vehicles and machinery, mining, construction, bulldozers, high-vibration machinery

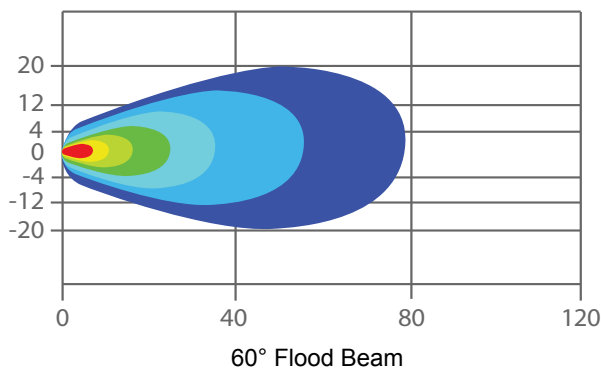
## Tech Specs

Type	5W LEDs (12 in total)
Beam Patterns	10° Narrow Flood, 40° Medium Flood, 60° Flood, 90° Wide Flood, 30x65° Elliptical
eLumens	3,575 Lu
rLumens	5,916 Lu
Voltage	18-65V
Amps	2.5A @ 24V DC
Watts	60W
Vibration Rating	60 Grms
Light Colour Temp.	5000K
Lens Material	Polycarbonate
Housing Material	Aluminium
IP Rating	IP69K
Housing Color	Black
Weight	5.07 lbs (2.3 kg)
Dimensions (DxWxH)	4.05x6.06x6.28 inches (102.8x153.8x159.5mm)
Warranty	3 Years / Extended
Certifications	CE, RoHS, IEC 62471
EMC / EMI Approval	CISPR25-Class 3

Part No.	Description
MXL-RXP1210	10° Narrow Beam, 11-65V DC, 60W, 2.5A @ 24V DC
MXL-RXP1225	25° Medium Beam, 11-65V DC, 60W, 2.5A @ 24V DC
MXL-RXP1240	40° Wide Beam, 11-65V DC, 60W, 2.5A @ 24V DC
MXL-RXP1260	60° Flood Beam, 11-65V DC, 60W, 2.5A @ 24V DC
MXL-RXP1290	90° Extra Flood Beam, 11-65V DC, 60W, 2.5A @ 24V DC
MXL-RXP12E3065	30x65° Elliptical Beam, 11-65V DC, 60W, 2.5A @ 24V DC

### MXL Series Cross Reference to RXP Series

- 29-MRXP1210 | MXL Ripper 24V | 10° Beam
- 29-MRXP1225 | MXL Ripper 24V | 25° Beam
- 29-MRXP1240 | MXL Ripper 24V | 40° Beam
- 29-MRXP1260 | MXL Ripper 24V | 60° Beam
- 29-MRXP12E3065 | MXL Ripper 24V | 30x65° Elliptical Beam



Authorised Importer and Master Distributor

