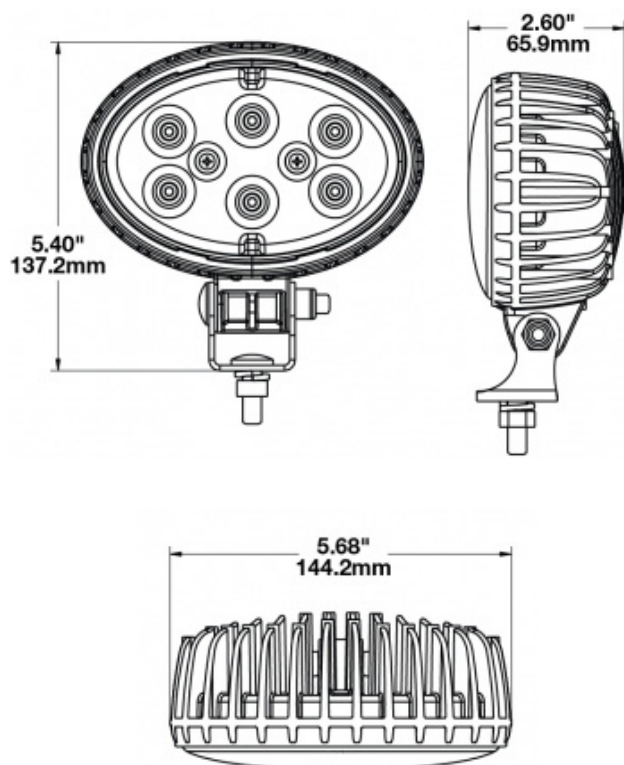


J.W. Speaker 735 Series

5" x 3" LED Worklight



Description

High performance optics, solid-state electronics, and die-cast aluminum housing make this lamp extremely resistant to shock, vibration, and corrosion.

Applications

Agriculture, construction, industrial, material handling, mining, rail-road, specialty vehicles, automotive and off-road 4x4

Tech Specs

Lens	Polycarbonate
Lens Pattern	Flood, Spot, or Trapezoid
Housing	Die-Cast Aluminum
Connector	Integrated 2-Pin Deutsch Weather-Proof Socket (DT04-2P)
Mating Connector	2-Pin Deutsch Weather-Proof Plug (DT06-2S)
Mounting	Universal Mount Hardware: (1x) 5/16"-18 x 0.58" Mounting Bolt
Voltage	12-24V DC or 24V DC only Light Emitting Diodes (LEDs)
Light Source	3,900 Raw Lu 2,600 Effective Lu
Amp	3.50A @ 12V, 1.75A @ 24V
Minimum Operating Temperature	-40 °C / -40 °F
Maximum Operating Temperature	65 °C / 149 °F
Standards Compliances	Buy America Standards, iec ip69k, eco Friendly
Weight	1.87 lbs / 0.85 kgs
Dimensions (WxHxD)	5.68" x 5.4" x 2.6" inches (144.27 x 1237.16 x 66.04mm)
Warranty	5 Years

Part No. Description

735F	12-24V with Flood Beam Pattern
735S	12-24V with Spot Beam Pattern
735T	12-24V with Trapezoid Beam Pattern
735S-PE	12-24V with Spot Beam Pattern & PE12015792 Connector
735T-PE	12-24V with Trapezoid Beam Pattern & PE12015792 Connector
735T-A	12-24V with Amber Lens & Trapezoid Beam Pattern
735T-PE-NS	12-24V with Trapezoid Beam Pattern & PE12015792 Connector – No Sleeve
735S-PE-NS	12-24V with Spot Beam Pattern & PE12015792 Connector – No Sleeve
735F-24V	J.W. Speaker 735 Series 5" x 3" LED Worklight, 24V with Flood Beam Pattern
735T-24V	J.W. Speaker 735 Series 5" x 3" LED Worklight, 24V with Trapezoid Beam Pattern



Authorised Importer and Master Distributor

