

# ABL RL LED1000

## Compact LED Series



### Description

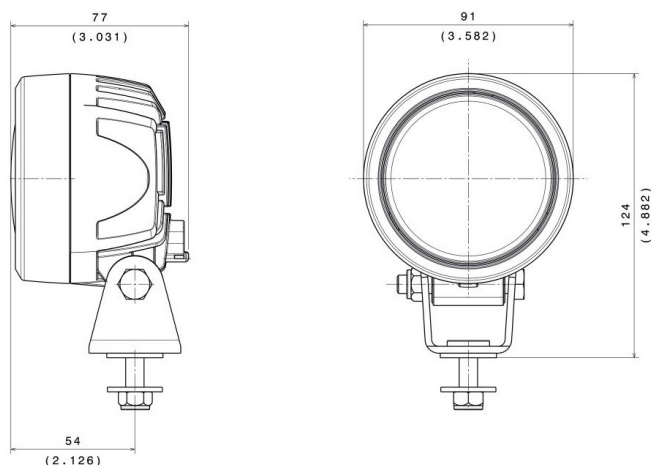
The ABL RL LED1000 is a compact LED-powered work lamp. This 14W version features 6 LED bulbs and pumps out an impressive 1000 lumens. This lamp exceeds everyday demands in all applications from handling equipment to heavy vehicles.

### Application

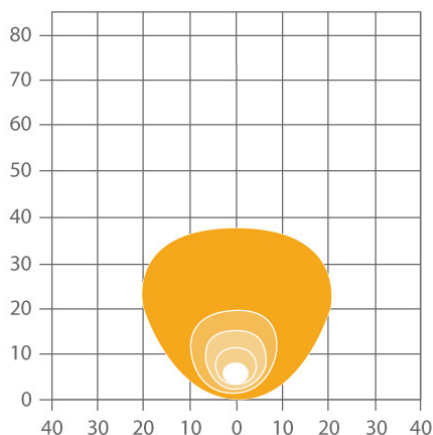
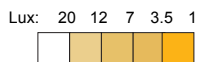
Heavy equipment, mining, construction, road and utility equipment, forestry, agriculture

### Tech Specs

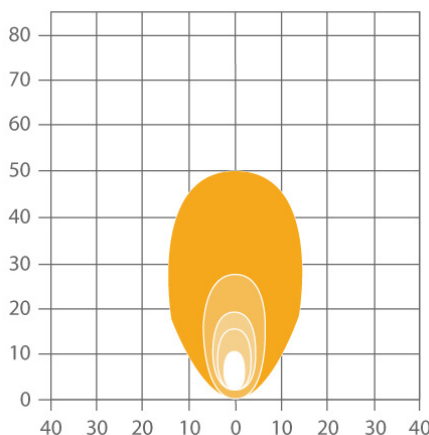
Voltage	12-24V DC
Tech	LED
Wattage	14W
Current	0.58A @ 24V DC
Lumens	1000 Lu
Operating Temperature	-40°C to +85°C
Beam Pattern	Flood, Long Range or Asymmetrical Flood
Connector	AMP 2 pin, DT 2 pin
Mounting	Pedestal, suspended
Lens Material	Hardened glass, Plastics
Dimensions (DxWxH)	3.03x3.58x5.07" inches (77x91x129mm)
Weight	0.9 lbs (0.45kg)
Load Dump / Surge Dump	Surge: 36V continuous / ISO 7637-2 Pulse 5a
IP Rating	IP68 / 69K
Polarity	Protected against reverse voltage
Salt Spray Test	ISO 9227
Vibration Resistance	15 Grms @ 24-2000Hz
Shock Resistance	60G
EMC	ISO 13766, ISO 14982, ISO 12985, CISPR25 Class 5
Warranty	4 Years



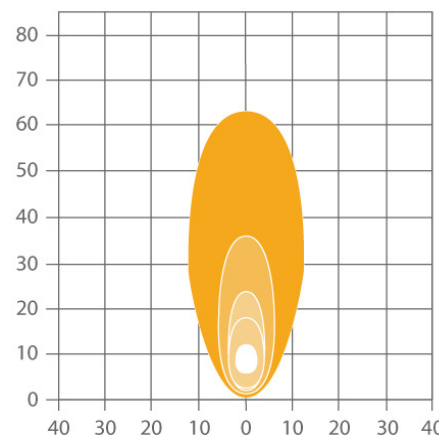
Part No.	Description
RL1000F	Flood, 1000 Lu, 12-24V DC, 0.58A @ 24V DC, 14W
RL1000LR	Long Range, 1000 Lu, 12-24V DC, 0.58A @ 24V DC, 14W
RL1000FA	Asymmetrical Flood, 1000 Lu, 12-24V DC, 0.58A @ 24V DC, 14W



Asymmetrical Flood



Flood



Long Range



Authorised Importer and Master Distributor

