

ABL RLA LED2000

Compact LED Series



Description

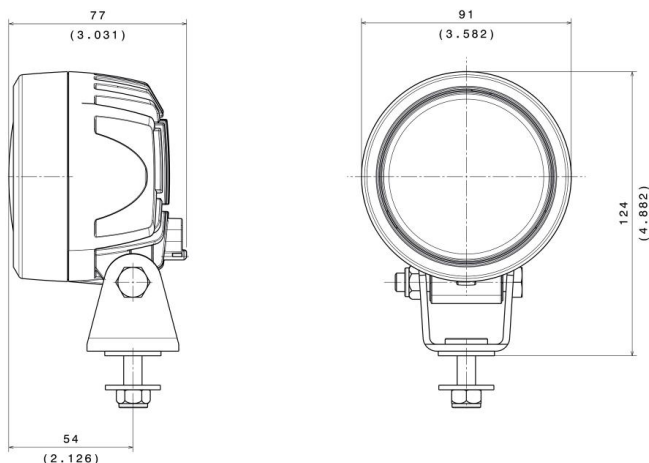
The ABL RLA LED2000 is a compact LED-powered work lamp. This 29W version features 6 LED bulbs and pumps out an impressive 2000 lumens. This lamp exceeds everyday demands in all applications from handling equipment to heavy vehicles.

Application

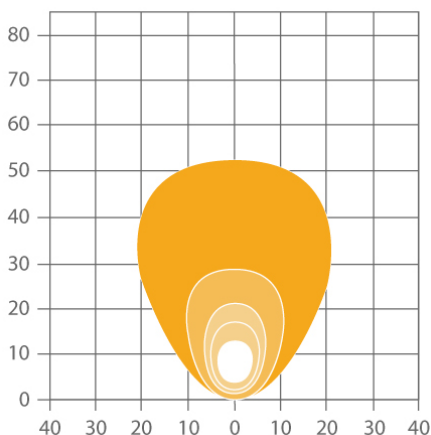
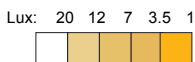
Heavy equipment, mining, construction, road and utility equipment, forestry, agriculture

Tech Specs

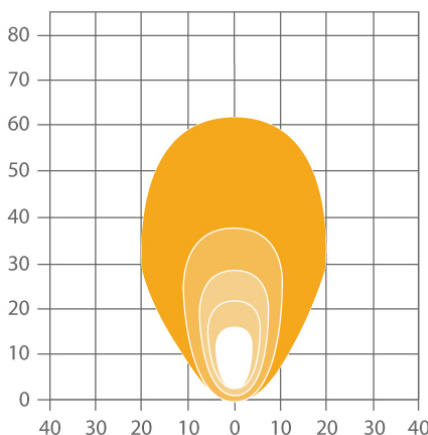
Voltage	12-24V DC
Tech	LED
Wattage	29W
Current	1.2A @ 24V DC
Lumens	2000 Lu
Operating Temperature	-40°C to +85°C
Beam Pattern	Flood, Long Range or Asymmetrical Flood
Connector	AMP 2 pin, DT 2 pin
Mounting	Pedestal, suspended
Lens Material	Hardened glass, Plastics
Dimensions (DxWxH)	3.03x3.58x5.07" inches (77x91x129mm)
Weight	1.3 lbs (0.60kg)
Load Dump / Surge Dump	Surge: 36V continuous / ISO 7637-2 Pulse 5a
IP Rating	IP68 / 69K
Polarity	Protected against reverse voltage
Salt Spray Test	ISO 9227
Vibration Resistance	15 Grms @ 24-2000Hz
Shock Resistance	60G
EMC	ISO 13766, ISO 14982, ISO 12985, CISPR25 Class 5
Warranty	4 Years



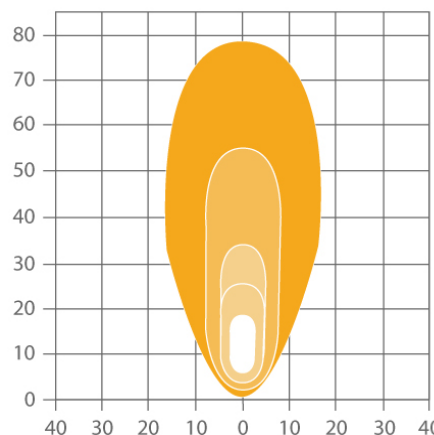
Part No.	Description
RLA2000F	Flood, 2000 Lu, 12-24V DC, 1.2A @ 24V DC, 29W
RLA2000LR	Long Range, 2000 Lu, 12-24V DC, 1.2A @ 24V DC, 29W
RLA2000FA	Asymmetrical Flood, 2000 Lu, 12-24V DC, 1.2A @ 24V DC, 29W



Asymmetrical Flood



Flood



Long Range



Authorised Importer and Master Distributor

