

ECCO 7965 / 7970 Series

SAE Class I or II LED



Description

The 7965 and 7970 Series beacons combine all the major benefits of the latest LED technology with a traditional, strobe style housing at a price point comparable to a strobe. Available in either 5" (7965) or 7" (7970) height profiles, these beacons are suitable for a wide range of applications where a high-intensity SAE Class I or II LED light is required. Each unit is backed by a 5-year warranty.

Features and Benefits

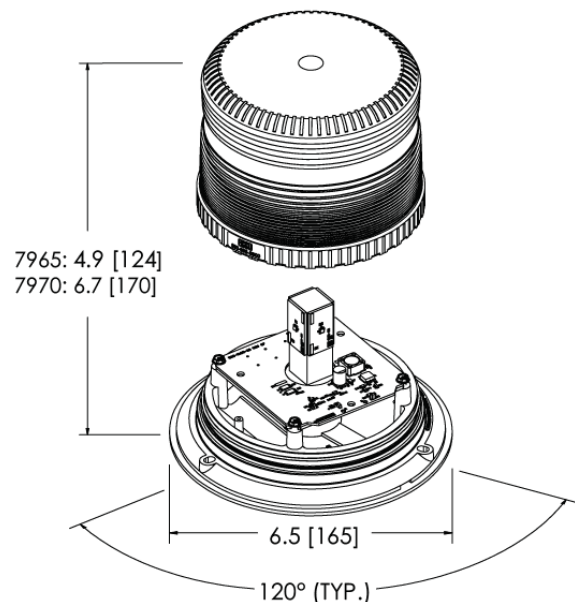
- 12-24 VDC, 3.6 Amps
- Choose profile height: 5" (7965) or 7" (7970)
- 11 flash patterns
- Aluminum base, polycarbonate lens
- Switched cigarette plug adapter (vacuum-magnet models)
- Temperature Range: -22°F to +122°F (-30°C to +50°C)

Tech Specs

Voltage	12-24V DC
Flash Pattern	11
Amps	3.6A
Warranty	5 Years
Approval	SAE Class I, SAE Class II, CE, R10, ROHS

Part No.	Description
7965X	3 Bolt / 1" Pipe Mount, 12-24V DC, 11 Flash Patterns
7970X	3 Bolt / 1" Pipe Mount, 12-24V DC, 11 Flash Patterns
7965X-VM	Vacuum-Magnet Mount, 12-24V DC, 11 Flash Patterns
7970X-VM	Vacuum-Magnet Mount, 12-24V DC, 11 Flash Patterns
7965X-HBT	Semi-Permanent HBT Mount, 12-24V DC, 11 Flash Patterns
7970X-HBT	Semi-Permanent HBT Mount, 12-24V DC, 11 Flash Patterns
7965A-DEL3	5" Delphi 3-Pin Connector, 3 Bolt Mount, 12-24V DC, 11 Flash Patterns

Note: Replace the below "X" in part number with desired color: **A** = amber, **B** = blue, **C** = clear, **G** = green or **R** = red



Authorised Importer and Master Distributor

