

Vision X VL-Pitmaster Magnetic Light

Combines Tough Compact Housing with Advanced Optics



Description

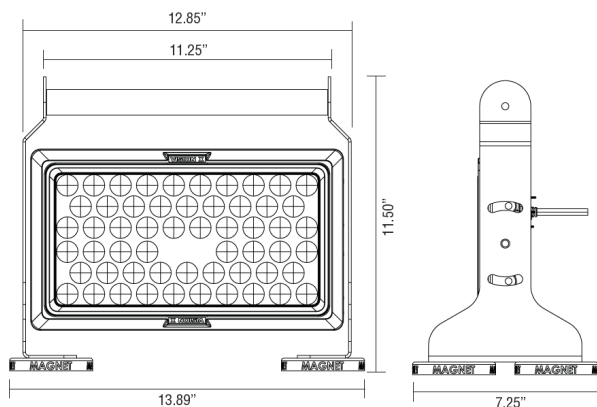
The VL-Pitmaster series combines tough compact housing with advanced optics to make a versatile LED replacement for metal halide or HPS fixtures. High-quality construction and magnetic components make this tower light easily portable. This fixture is compatible with all AC Series accessories.

Features and Benefits

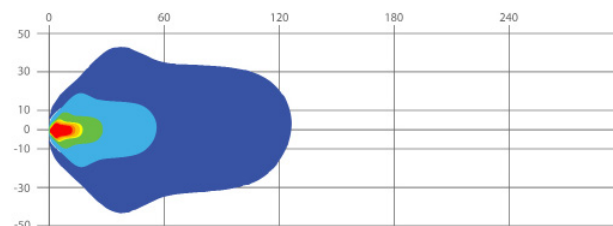
- Compact and Durable Die-Cast Housing Construction
- Magnetic Bracket Components for Quick Mobility
- 60° Beam Pattern
- DC Light Fixture or AC Light Fixture

Tech Specs

Fixture Weight	5.8lbs (2.5kg)
w / Power Supply and Bracket	13.40lbs (6.0kg)
Shipping Weight	14.95lbs (6.78kg)
Mounting	Magnetic Bracket
Type of LEDs	1.8W LED
Lumens	15,351lm (DC) 16,785lm (AC)
Beam Pattern	60°
Wattage	100W
Amp Draw	8.3A @ 12V DC, 0.9A @ 110V AC
Color Temperature	5000K
Operating Voltage	10-32V DC or 110-480V AC
Operating Temperature	-40°C ~ 85°C
Lifespan	50,000hrs
EMC	Varies Per Power Supply
Polarity	Reverse Polarity Protection
Connector	Deutsch DT04-2P
Housing Material	Aluminum
Lens	Polycarbonate
Finish	Marine Grade Gloss Black
Ingress Protection	IP68 / 69K, CISPR 25
Vibration Rating	21.2Grms
Salt Spray	ISO 9227
Warranty	1 Year



Part No.	Description
VDP025660LSBMAG	DC Series with Magnetic Bracket, 60° Beam Pattern
VSP025660LSBMAGPS	AC Series with Magnetic Bracket, 60° Beam Pattern



60° Beam Pattern



Authorised Importer and Master Distributor

