

J.W. Speaker 8770 Locomotive LED Headlight



Description

The Model 8770 offers the most powerful FRA-approved replacement solution for 7" locomotive headlights (PAR56). Designed for railroad locomotives using only high and low functionality (determined through a control line), the Model 8770 GEN3 can also be used as a ditch light application.

Features and Benefits

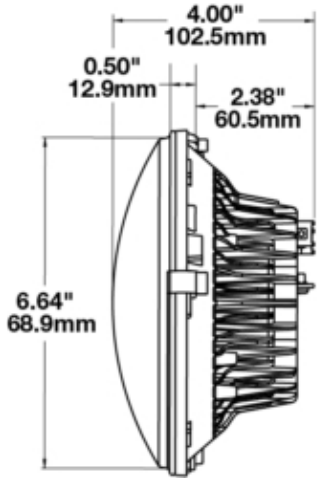
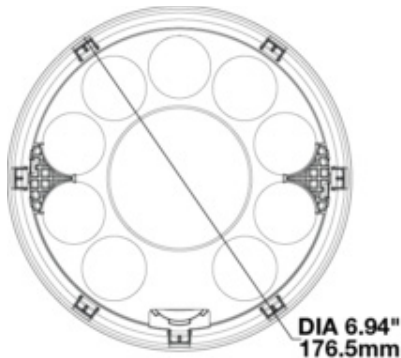
- 230,000 minimum Candela output
- SmartHeat technology melts ice and snow to keep locomotive headlights unobstructed
- Die-cast aluminum housing for maximum protection
- Meets all Federal Railroad Administration (FRA) requirements

Applications

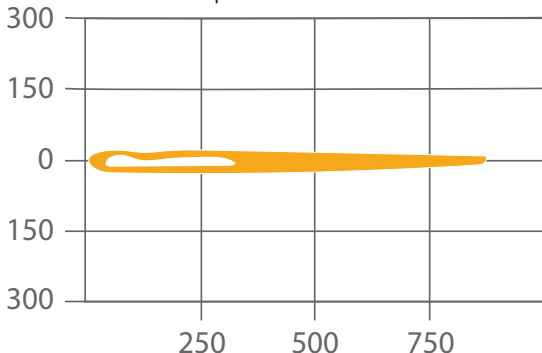
Industrial and railroad

Tech Specs

Housing Material	Aluminum	
Housing Lens and Bezel Color	Gray	
Mounting Type	Panel	
Retrofits	2D1 "PAR56" or 7" Round Headlights	
Minimum Operating Temperature	-40 °C / -40 °F	
Maximum Operating Temperature	65 °C / 149 °F	
Connector or Wiring	Standard Sealed Beam Style Screw Terminals	
Product Weight	2.60 lbs / 1.18 kgs	
Shipping Weight	3.10 lbs / 1.41 kgs	
Dimensions (HxWxD)	6.69" x 6.69" x 4.06" inches (170 x 170 x 103mm)	
Beam	Spot and Heated Lens	
Shape	Round	
Outer Lens Material	Polycarbonate	
Outer Lens Color	Clear	
Input Voltage	24-110V DC	
Operating Voltage	18-130V DC	
Transient Spike Protection	330V Peak @ 1 HZ-100 Pulses	
Current Draw	8770S-H:	8770S-S:
	3.20A @ 24V DC (High Output)	2.10A @ 24V DC (High Output)
	1.20A @ 75V DC (High Output)	0.75A @ 75V DC (High Output)
	0.85A @ 110V DC (High Output)	0.55A @ 110V DC (High Output)
	2.60A @ 24V DC (Low Output)	1.00A @ 24V DC (Low Output)
	0.85A @ 75V DC (Low Output)	0.45A @ 75V DC (Low Output)
	0.75A @ 110V DC (Low Output)	0.30A @ 110V DC (Low Output)
rLumens	2,200 Lu (Model 8770 and 8770 with Heated Lens)	
eLumens	2,041 Lu (Model 8770), 1,800 Lu (Model 8770 with Heated Lens)	
Candela Output	260,000 (Model 8770), 230,000 (Model 8770 with Heated Lens)	
Nominal LED Color Temperature	5000K	
IP Rating	IP67 (Model 8770), IP66 (Model 8770 with Heated Lens)	
Standards Compliances	Buy America Standards, Eco Friendly, FRA Title 49 CFR 229.125 (a) FRA Title 49 CFR 229.125 (b), FRA Title 49 CFR 229.125 (d) (2) IEC IP67 Tested to ECE Reg. 10 (Radiated Emissions only)	



Spot Beam Pattern



Part No.	Description
8770S-S	24-110V LED Locomotive Headlight with Spot Beam Pattern
8770S-H	24-110V LED Locomotive Headlight with Spot Beam Pattern & Heated Lens



Authorised Importer and Master Distributor

