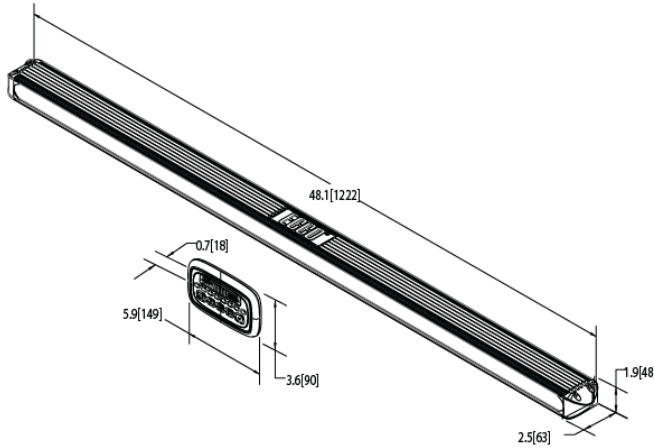


ECCO LED Safety Director

A High-intensity Warning System



Description

The LED Safety Director™ is a high-intensity warning system designed to direct traffic approaching from the rear of a stationary vehicle. The compact light-stick design allows for unobtrusive interior or exterior mounting, either flush to the vehicle or using the provided mounting brackets. Inside the cab a modern, soft touch controller provides fingertip control of the 3410's nine built-in flash patterns and features an LED display that mimics the selected pattern in real time. Includes signal bar, controller and 15' cable.

Features and Benefits

- 12 VDC, 1.6 Amps
- Extruded aluminum housing with polycarbonate lens
- Eight reflective modules with six LEDs
- Temperature Range: -22°F to +122°F (-30°C to +50°C)

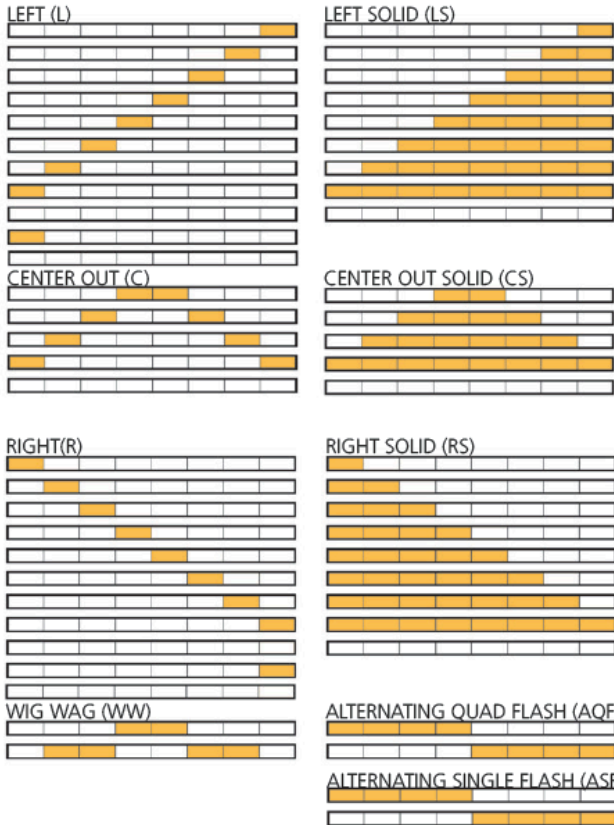
Applications

4WDs, emergency vehicles and more

Tech Specs

Voltage	12V
Amps	1.6A
Flash Pattern	9
Color	Amber
Dimensions (HxLxD)	1.9x48.1x2.5" inches (48.26x1221.74x63.5mm)
Standards Compliances	SAE Class I, CE, R10, RoHS

Part No.	Description
3410A	ECCO LED Safety Director: 15' / 4.6m, Amber Illumination
3435A	ECCO LED Safety Director: 35' 9.1m, Amber Illumination
3455A	ECCO LED Safety Director: 55' 16.8m, Amber Illumination



Authorised Importer and Master Distributor

