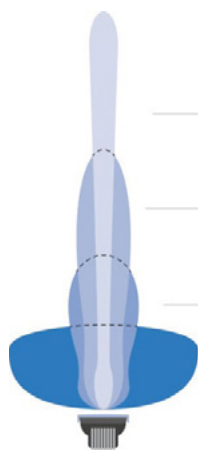
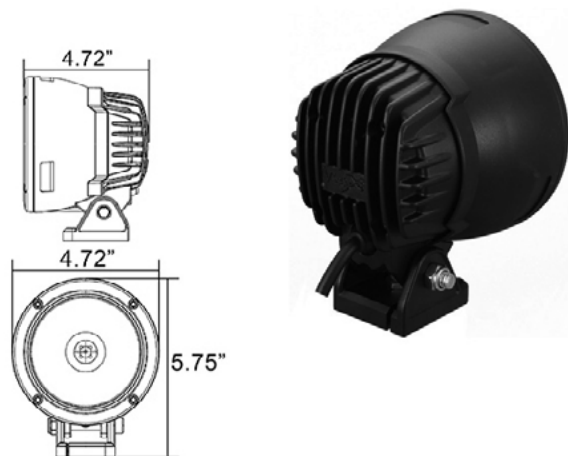


Vision X Light Cannon 40W LED

Cannon Series



- 
SPOT
 Spot covers maintain original lighting beam pattern while protecting the lens from harmful debris.
- 
COMBO
 Combo covers combine the distance of a spot cover with the peripheral illumination of a euro cover.
- 
EURO *ELLIPTICAL
 Euro covers illuminate peripherals while losing some distance effectiveness. *Reduces left peripheral illumination for oncoming traffic.
- 
FLOOD *WIDE FLOOD
 Wide Flood covers illuminate a wide field of view in exchange for distance effectiveness. * Flood covers is the vertical beam equivalent to flood covers.

Description

The new Vision X 4.5" Light Cannon XP uses a stronger single-source 40W LED over the standard 25W Cannon for added power output from the same size light. The Light Cannon XP comes equipped with advanced IRIS reflector technology to place it at the top of its class in the single source LED lighting division. Light Cannon is also like having 12 lights in 1. It enables optional Snap on polycarbonate cover filters to quickly change the beam pattern from Spot to Euro or Flood, while the colored filters (Clear, Blue, Amber, or Red) can improve visibility in various conditions LED Light Cannons are available in a two light kit.

Features and Benefits

- Exclusive Luminous Ultra-Premium LED Smoothest Light Pattern
- Intense 10° spot pattern
- Universal Single Bolt Mounting
- First of its kind single-source 40W LED
- Proprietary IRIS Reflector Technology
- Ultra Light weight 2 lb Hybrid Construction
- Integrated Electronic Thermal Management
- Single lights and kits available

Applications

Fleet, light vehicles (LV's), 4WDs, offroad, commercial trucks and buses

Tech Specs

| | |
|-------------------------|---|
| Warranty | Extended |
| Available Housing Color | Black |
| Available Beam Patterns | 10°, Snap-On Filters Available |
| Raw Lumens | 3,000 rLumens |
| Effective Lumens | 2,100 eLumens |
| Wattage | 40W |
| Weight | 2.02 lb/920 g |
| LED Lifespan | 50,000 Hours |
| Dimensions | 4.72" x 4.36" x 5.75" 120 mm x 110.7 mm x 146 mm |
| Optic Purity | 90% |
| Drive at | 90% |
| Input Voltage | 9-32V DC |
| Amp Draw | 3.33A |
| IP Rating | IP68 |
| Vibration Rating | 15.6G |
| Operating Temp | -40 Celsius ~ +85 Celsius |

| Part No. | Description |
|-----------------|---|
| PCV-CP1 | Vision X 120mm Cannon Light Polycarbonate Cover Clear |
| CTL-CPZ110XP | Vision X 40W Cannon Series: 1 Light |
| CTL-CPZ110XPKIT | Vision X 40W Cannon Series: 2 Light Kit |

Added Features

- Weather Proof Integrated Deutsch Connector
- Kits with Two Lights and Harness Available
- Polycarbonate Housing
- Polycarbonate Lens



Authorised Importer and Master Distributor

