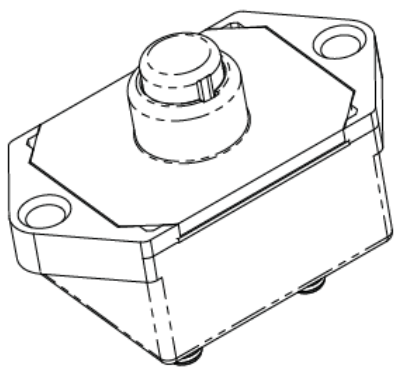


Klixon S Series (SLA, SDLA, SDLM)

SDLM 35 to 150 Amp Commercial Thermal Circuit Breaker



Description

The Klixon® S series thermal breakers are designed to protect wiring and meet the harshest environmental requirements. The sealed circuit breakers are weatherproof for protection against moisture, dust, grease, fuel vapors and other harsh environments. The S series breakers are lightweight and designed to interrupt short circuits or overloads and combine trip-free protection with fast response time. Typical applications are protection of wire and cable of accessory circuits, equipment and battery protection on heavy trucks, buses, construction equipment, off-road vehicles, marine, recreational vehicles (RVs) and electric (hybrid) vehicles, and battery chargers. The S series is available in both open and sealed body configurations with manual and automatic reset options.

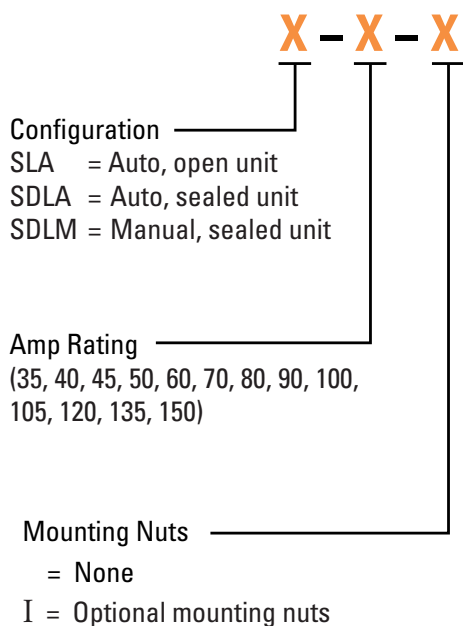
Features and Benefits

- 30VDC, 35 to 150 Amps
- Open and sealed assemblies, manual and automatic reset options
- Ignition protected
- UL Recognized E69772

Tech Specs

| | |
|--|--|
| Calibration: 200% rated current, 77°F (25°C) | 35 to 150 Amps: 8 to 100 seconds |
| Ultimate Trip at 77°F (25°C) | Must hold 100%, Must trip 135% |
| Endurance | Per SAE J1625 |
| Interrupt Current Capacity | Per SAE J1625 and ABYC E-11 |
| Mechanical Vibration | Per SAE J1455, 4G's, 10-2K Hz |
| Voltage Breakdown | Per SAE J1625 500VAC |
| Salt Spray | Per SAE J1625, 96 hours |
| Voltage Drop | Per SAE J1625 |
| Weight (with mounting nuts) | SDLM (A): 75 grams (71 grams) max SLA: 62 grams max |

Ordering Information



| Part No. | Description |
|--------------|---|
| KLI-SDLM105i | Klixon SDLM Series 105 Amp Commercial Thermal Circuit Breaker |
| KLI-SDLM120i | Klixon SDLM Series 120 Amp Commercial Thermal Circuit Breaker |
| KLI-SDLM150i | Klixon SDLM Series 150 Amp Commercial Thermal Circuit Breaker |
| KLI-SDLM35i | Klixon SDLM Series 35 Amp Commercial Thermal Circuit Breaker |
| KLI-SDLM40i | Klixon SDLM Series 40 Amp Commercial Thermal Circuit Breaker |
| KLI-SDLM50i | Klixon SDLM Series 50 Amp Commercial Thermal Circuit Breaker |
| KLI-SDLM60i | Klixon SDLM Series 60 Amp Commercial Thermal Circuit Breaker |
| KLI-SDLM70i | Klixon SDLM Series 70 Amp Commercial Thermal Circuit Breaker |
| KLI-SDLM80i | Klixon SDLM Series 80 Amp Commercial Thermal Circuit Breaker |
| KLI-SDLM90i | Klixon SDLM Series 90 Amp Commercial Thermal Circuit Breaker |

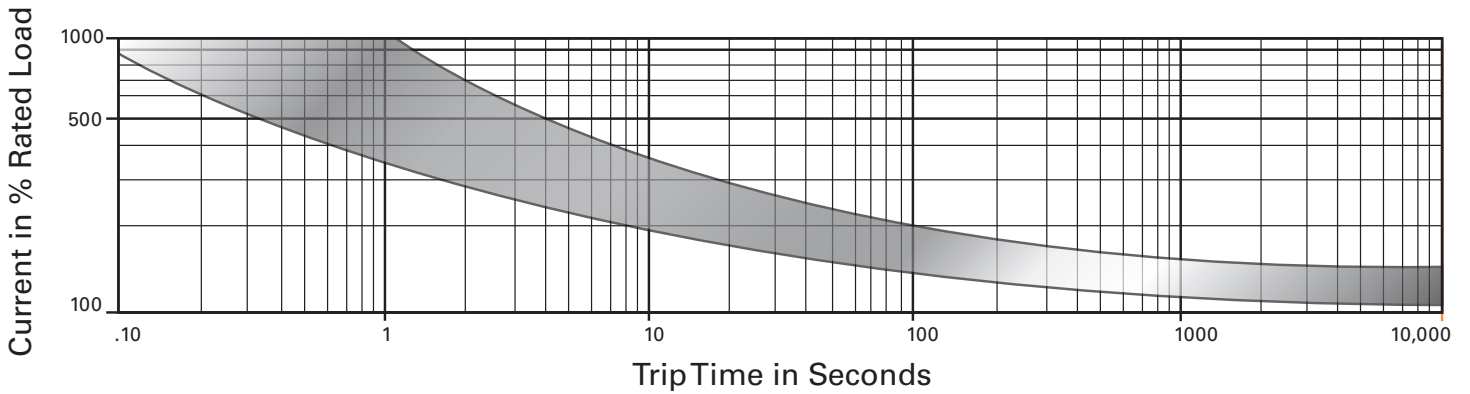
Authorised Importer and Master Distributor



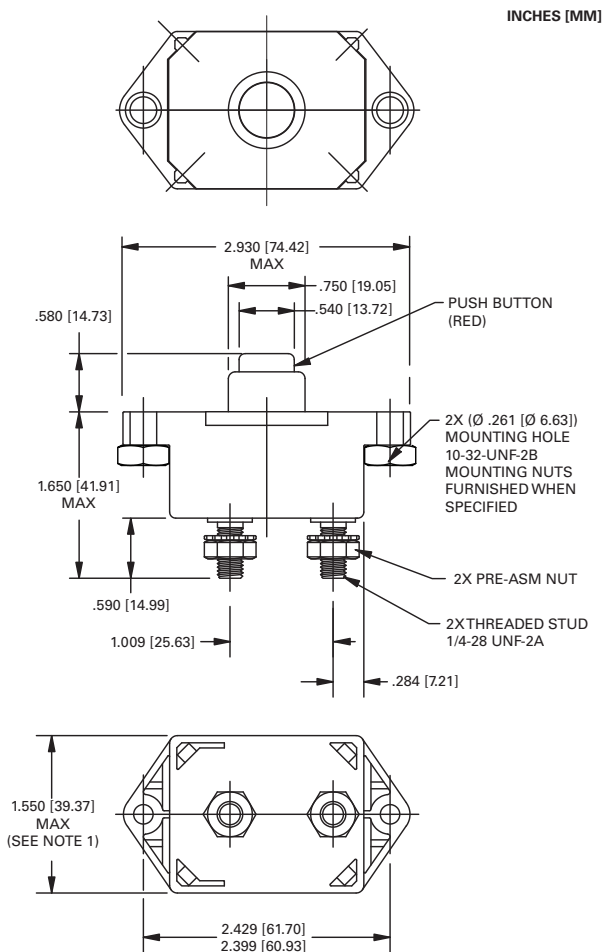
Klixon S Series (SLA, SDLA, SDLM)



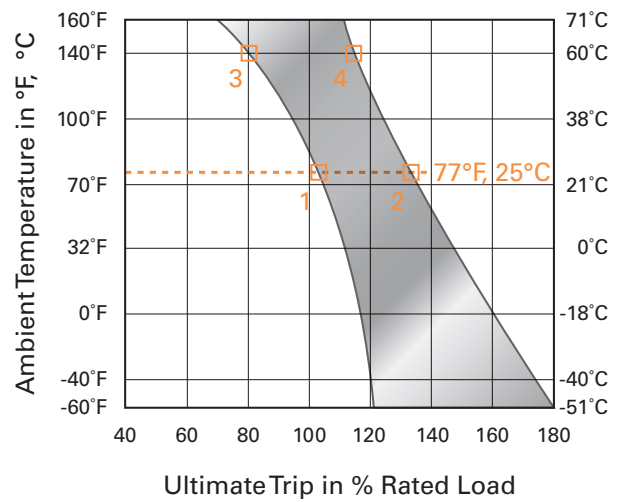
Trip Curve - Approximate Time, Current Characteristics At 77°F (25°C)



Dimensions - SDLM



Derating Curve



Performance characteristics are based on room temperature (77°F, 25°C). Consult Derating curve for ambient temperatures significantly higher or lower than standard room temperature.

Example: At 77°F (25°C) the device is calibrated to hold at 100% of rated current (1) and trip at 135% of rated current (2). At 140°F (60°C), the same device will hold at approximately 78% of rated current (3), and trip at approximately 115% of rated current (4).

Notes:

1. Dimension does not include sealing gasket.

Authorised Importer and Master Distributor

