

Klixon C Series (CA, CM, CDA, CDM)

CDM 2 to 40 Amp Commercial Thermal Circuit Breaker



Description

The KLIXON® C series thermal breakers are designed to protect wiring and meet the harshest environmental requirements. The C series closed construction circuit breakers are weatherproof sealed for protection against moisture, dust, grease, fuel vapors and other harsh environments. The C series breakers are compact, lightweight and designed to interrupt short circuits or overloads, and combine trip-free protection with fast response time. Typical applications are protection of wire cable of accessory circuits, equipment and battery protection in construction and off-road equipment, marine, recreational vehicles (RV's), mining, agricultural equipment and electric (hybrid) vehicles.

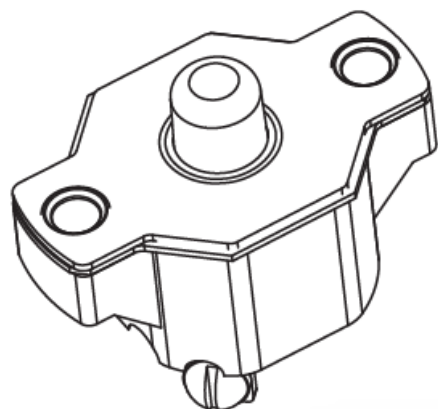
Features and Benefits

- 30VDC or 120VAC, 2 to 40 Amps
- Open and closed construction
- Automatic and manual reset options
- Ignition protected SAE J1171
- Weatherproof SAE J553
- UL Recognized E36869

Tech Specs

Calibration: 200% rated current, 77°F (25°C)	2 to 10 Amps: 20 to 150 seconds 12.5 to 50 amps: 5 to 55 seconds
Ultimate Trip at 77°F (25°C)	Must hold 100%, Must trip 135%
Endurance	Per SAE J553
Interrupt Current Capacity	Per SAE J553 and ABYC E-11
Mechanical Vibration	10G MIL-STD-202 Method 204, Condition A
Salt Spray	MIL-STD-202 Method 101D (sealed only)
Dielectric Strength	MIL-STD-202 Method 301, 1500VAC min
Insulation Resistance	MIL-STD-202 Method 302, Condition B, 100 MΩ min
Weight	CD: 48 grams max

Part No.	Description
KLI-CDM10i	Klixon SDLM Series 105 Amp Commercial Thermal Circuit Breaker
KLI-CDM12.5i	Klixon SDLM Series 120 Amp Commercial Thermal Circuit Breaker
KLI-CDM15i	Klixon SDLM Series 150 Amp Commercial Thermal Circuit Breaker
KLI-CDM20i	Klixon SDLM Series 35 Amp Commercial Thermal Circuit Breaker
KLI-CDM25i	Klixon SDLM Series 40 Amp Commercial Thermal Circuit Breaker
KLI-CDM30i	Klixon SDLM Series 50 Amp Commercial Thermal Circuit Breaker
KLI-CDM40i	Klixon SDLM Series 60 Amp Commercial Thermal Circuit Breaker



Ordering Information

X - X - X

Configuration

- CA = Auto, open unit
- CM = Manual, open unit
- CDA = Auto, sealed unit
- CDM = Manual, sealed unit

Amp Rating

- (2, 3, 4, 5, 6, 8, 10, 12.5, 15, 17.5, 20, 25, 30, 35, 40)

Mounting Nuts

- = leave blank for none
- I = optional mounting nuts

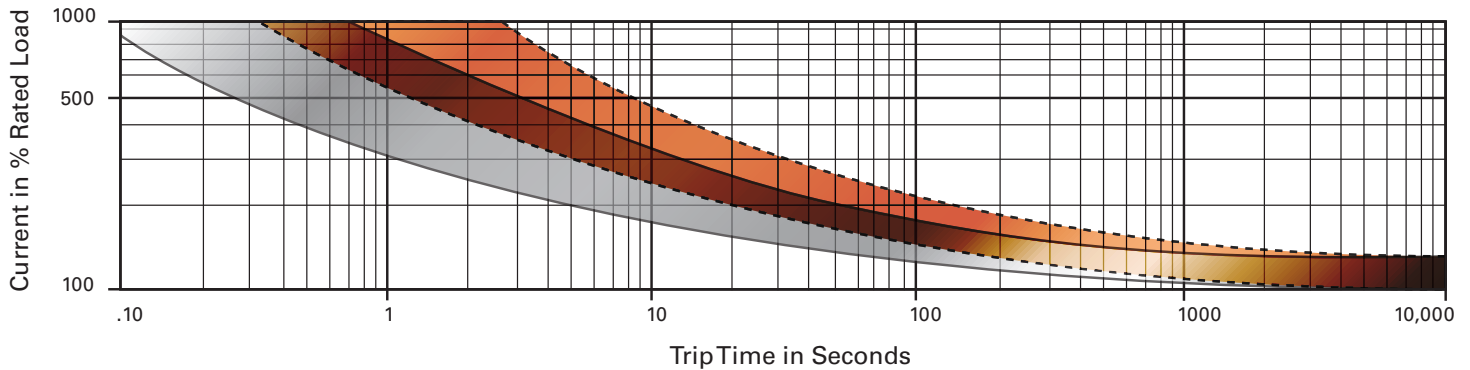
Authorised Importer and Master Distributor



Klixon C Series (CA, CM, CDA, CDM)

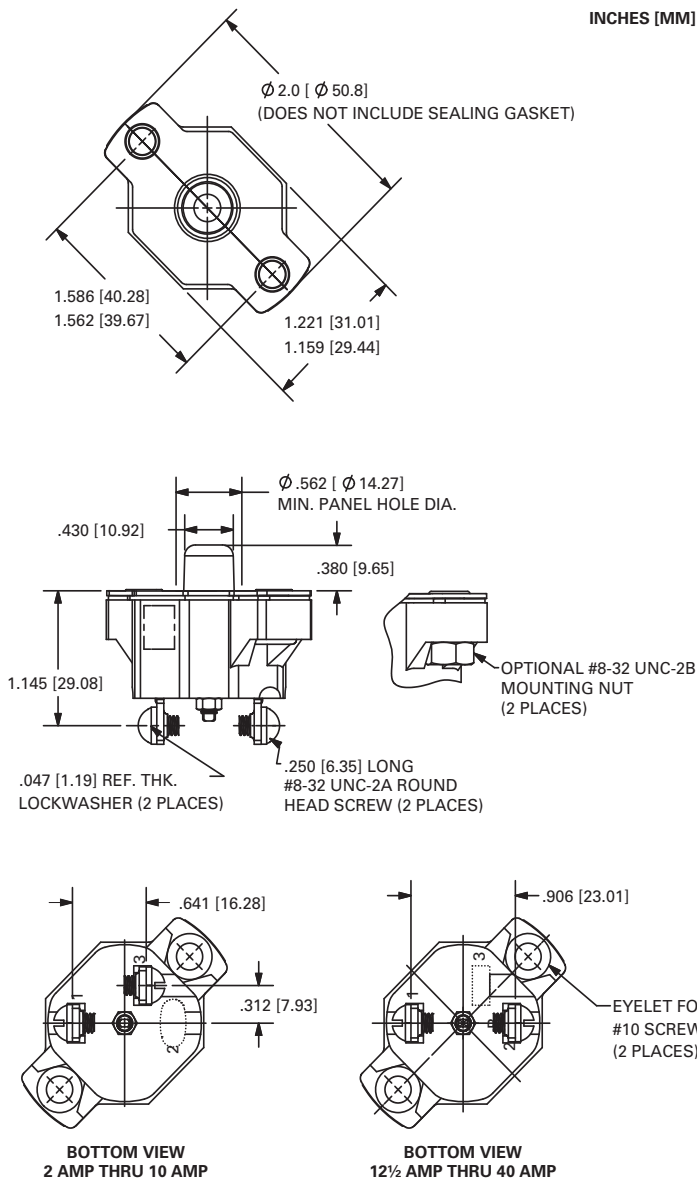


Trip Curve - Approximate Time, Current Characteristics At 77°F (25°C)

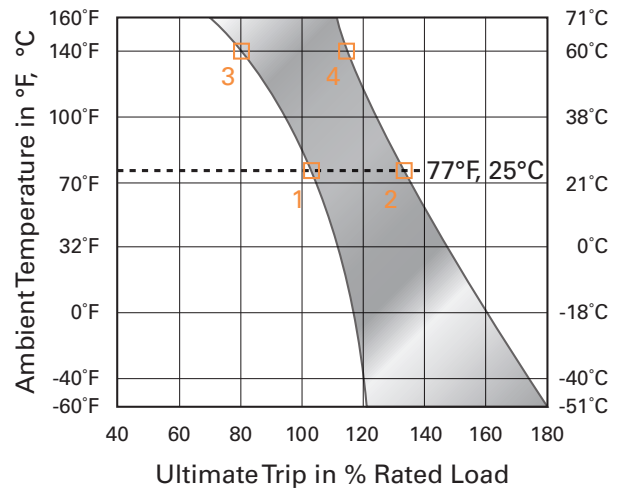


Dotted Lines: 10 amps or below
 Solid Lines: Above 10 amps

Dimensions



Derating Curve



Performance characteristics are based on room temperature (77°F, 25°C). Consult derating curve for ambient temperatures significantly higher or lower than standard room temperature.

Example: At 77°F (25°C) the device is calibrated to hold at 100% of rated current (1) and trip at 135% of rated current (2). At 140°F (60°C), the same device will hold at approximately 78% of rated current (3), and trip at approximately 115% of rated current (4).

Authorised Importer and Master Distributor

