

ECCO EW3010/3011

LED Remote Spotlight Series



Description

ECCO's EW3010 Series Remote Spotlights are multifunctional, motorized searchlights featuring a 12-24 VDC operation. Both spotlights can be installed wirelessly and are protected by a polycarbonate lens and the housings are available in black or white. The EW3010/3011 offers full 360o continuous rotation, a 135-degree tilt range and features an optional hardwired in-dash joystick controller. The spotlight also has a home setting that automatically returns the light to its original position upon powering off the device. ASA resin housing makes the EW3010/3011 corrosion, UV and impact resistant and also feature patent pending reflective optics. Optional Hardwired In-dash Joystick Controller for Focus360° Series (EW3010 & EW3011 only).

Features and Benefits

- Ten 5W LEDs
- Permanent or magnet mount available
- "Return to Home" setting will automatically return light to original position when powered off
- Aluminum heatsink lighthead
- Polycarbonate housing

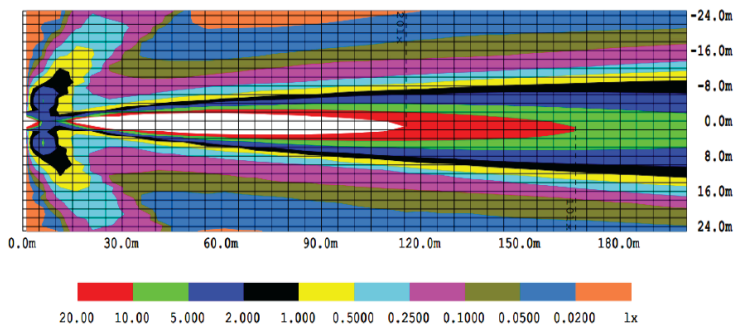
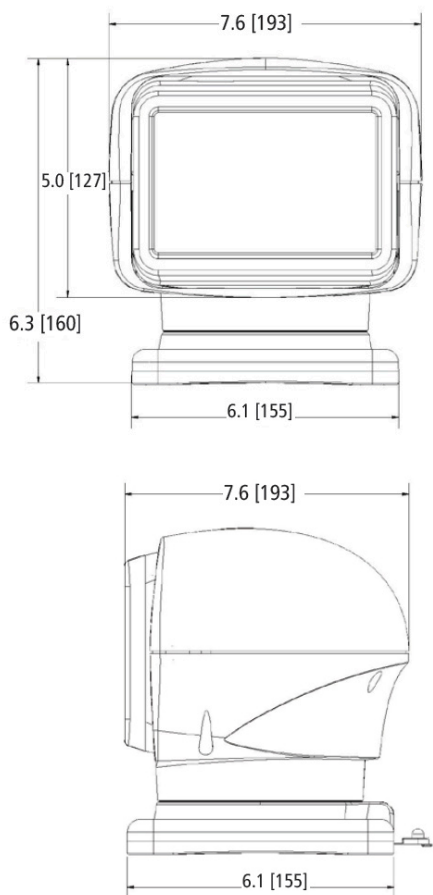
Applications

Work and service vehicles, 4WD and recreational vehicles, military vehicles, emergency services

Tech Specs

Voltage	12-24V DC
rLumens	2,251 lu
eLumens	2,052 lu
Current	2.8A @ 12V DC
Beam	Spot
Beam Distance	3,925 ft
Candela	350,000
Rotation	360° Continuous
Tilt Range	135°
Housing Color	Black or White
Mounting	Permanent or Magnet Mount
Illuminance	348.2 lux
Efficacy	55.1 lm/w
Correlated Color Temperature	5025K
Wattage	37.5W
Temperature Range	-22°F (-30°C) to 122°F (50°C)
Housing Material	Aluminum
Lens Material	Polycarbonate
Product Weight	4.7lbs (2.12kg)
Approval	CE, IP68
Warranty	5 Years

Part No.	Description
EW3010	12-24V DC, 2.8A @ 12V DC, Spot Beam, Black
EW3011	12-24V DC, 2.8A @ 12V DC, Spot Beam, White



Authorised Importer and Master Distributor

