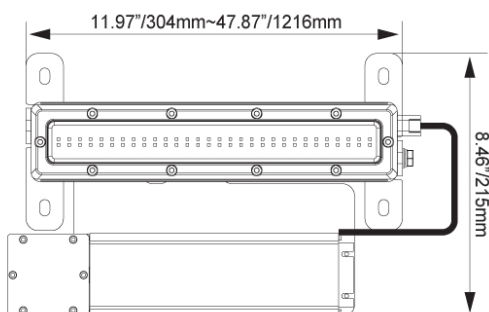
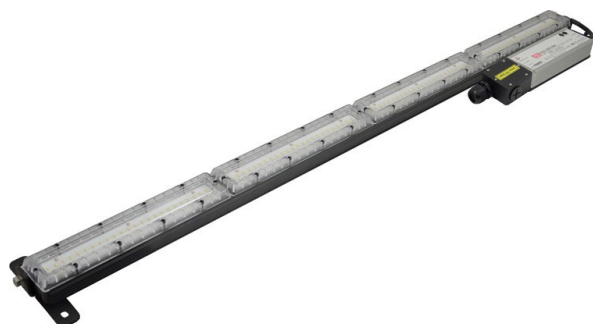


Vision X Cube Shockwave

Single LED Panel Light



Description

The Cube LED Shockwave pairs Vision X Lighting's new Cube LED technology with the durability and versatility of the Shockwave series. The Shockwave is available in 1, 2, 3, and 4' lengths and in single and dual panel designs for various application needs. The single panel Shockwave provides a 180° beam spread for optimal flood lighting. Each 1' panel on the Shockwave dual is equivalent to a single 4' fluorescent or standard LED tube.

Cube LED Technology

The new Cube technology from Vision X Lighting features direct 48V DC lights specifically designed to be paired with a high performance LED driver to offer 110-277V AC input. Reduced electronics enable higher efficiency and less heat for a consistently longer life span. Cube LEDs are not designed for use with an optic, but rather deliver a 180° beam spread independently for even distribution of illumination.

Features and Benefits

- Utilizes cube LED technology to increase efficiency
- Integrated Electronic Thermal Management (ETM)
- Direct fluorescent fixture replacement
- Reinforced gasketed Bezel

Applications

Industrial, commercial, fluorescent replacement

Tech Specs

Lengths	12, 24, 36 and 48" (304, 610, 914, and 1219mm)
Beam	180°
Vibrating Rating	15.6G
Voltage	110-277V AC
Amps	0.44A, 0.87A, 1.31A and 1.75A
Wattage	48W, 96W, 144W, 192W
eLumens	4,340 Lu, 8,670 Lu, 13,010 Lu and 17,350 Lu
rLumens	5,424 Lu, 10,848 Lu, 16,272 Lu and 21,696 Lu
IP Rating	IP68/69K
Warranty	3 Years/Extended

Part No.	Description
CSWS48PE	Vision X Cube Shockwave Single LED Panel Light: Single 12" (304mm)
CSWS96PE	Vision X Cube Shockwave Single LED Panel Light: Single 24" (610mm)
CSWS144PE	Vision X Cube Shockwave Single LED Panel Light: Single 36" (914mm)
CSWS192PE	Vision X Cube Shockwave Single LED Panel Light: Single 48" (1219mm)



Authorised Importer and Master Distributor

