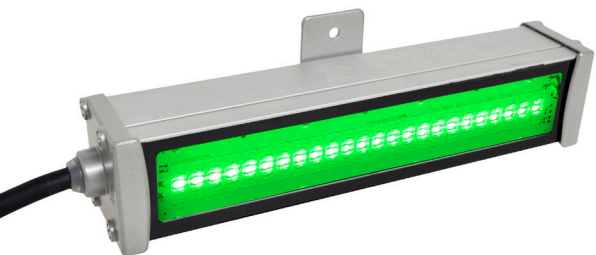


APS LW400 Eye-wash Station LED Green Light



Description

The LW400-BP-20W-GRN is a 20W LED light is designed for the purposes of eye-wash stations. This fixture includes both 40mm diameter Pole mount bracket plus Bulkhead bracket, and 5m international cable.

Features and Benefits

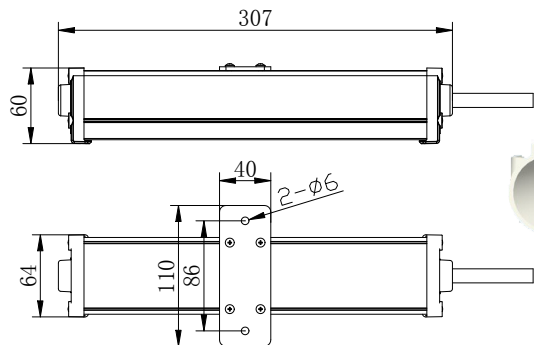
- Green light model for use in eye-wash stations
- Industrial-grade LED chips and driver
- Tempered glass effective against ageing and color-changing
- IP65 fixture, waterproof & shock resistant
- Wide 140° optical lens provides even light distribution

Tech Specs

Type	LEDs
Lumens	2600 Lu
Voltage	100V~240V AC (50Hz~60Hz)
Wattage	20W
Beam Angle	140°
Humidity	10% ~ 95% (no coagulation)
Operating Temperature	-30°C to +45°C (cover heat protection)
IP Rating	IP65
Housing	Forged aluminum alloy
Lens	Tempered glass
Mount	Pole (Spigot) Ø 32-40mm, Bulkhead
Weight	2.2 lbs (1kg)



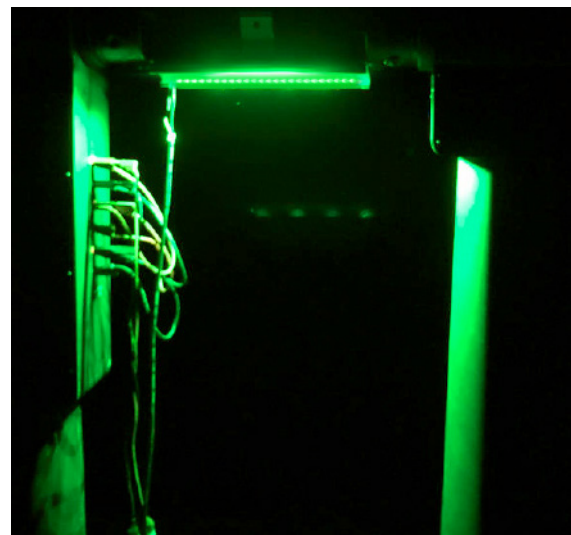
Part No.	Description
LW400-BP-20W-GRN	APS LW400 Eye-wash Station LED Green Light: 140° Beam, 1100 Lu, 100-240V AC, 20W, Pole (spigot) mount bracket plus Flat (bulkhead) bracket. 5m Int. cable



Flat (bulkhead) mounting bracket



Spigot Ø 32-40mm



Authorised Importer and Master Distributor

