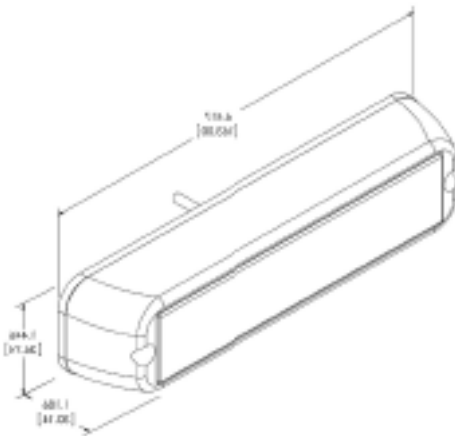


ECCO ED3766 Series

Dual or Tri-Color - SAE Class I



Description

The ED3766 dual-color directional LED warning light offers the flexibility of two different color outputs within a single unit. Comprising 12 high-intensity LEDs, dual-color models feature 6 of each color. SAE Class I light output, synchronization capability and the choice of 12 flash patterns allows the creation of an attention-getting, multi-color warning system with half the number of lights typically required. Each model can be programmed to flash either color option individually or alternate between the two.

Features and Benefits

- 12 (dual) or 18 (tri) high-intensity LEDs provide exceptional warning
- Six LEDs per color
- 12 flash patterns
- Synchronizable
- Aluminum housing, polycarbonate lens
- Temperature Range: -22°F to +122°F (-30°C to +50°C)

Flash Patterns

- Single
- Fast Single
- Double
- Fast Double
- Triple
- Quad
- Fast Quad
- Modulation
- Steady Burn
- 2 Double, 2 Quad, Alt
- 4 Single, 2 Triple, Alt
- 1 Double, 1 Triple, 1 Quad

Tech Specs

Type	LED
Voltage	12-24V DC
Amps	0.8A @ 12V DC
Flash Pattern	12
Standards Certifications	SAE Class I, California Title 13, R65, CR, R10, IP67
Warranty	3 Years

Applications

Trucks and Vehicles

Part No.	Color	Voltage	Amps	Mount
ED3766AB	Amber/Blue	12-24V	0.8	2 Bolt
ED3766AC	Amber/Clear	12-24V	0.8	2 Bolt
ED3766AG	Amber/Green	12-24V	0.8	2 Bolt
ED3766AR	Amber/Red	12-24V	0.8	2 Bolt
ED3766RB	Red/Blue	12-24V	0.8	2 Bolt
ED3766RBW	Red/Blue/White	12-24V	0.8	2 Bolt
ED3766RBA	Red/Blue/Amber	12-24V	0.8	2 Bolt
ED3766RAW	Red/Amber/White	12-24V	0.8	2 Bolt
ED3766BAW	Blue/Amber/White	12-24V	0.8	2 Bolt
ED3766AGW	Amber/Green/White	12-24V	0.8	2 Bolt



Authorised Importer and Master Distributor

