

# ECCO DF445 Series

## Dual-Function Grommet Mount



### Description

The DF445 dual-function alarm utilizes a standard 4.5" rear-lighting grommet for mounting directly into the vehicle body. Vehicle down time is reduced since the alarm can be fitted or replaced quickly and easily without the use of tools; there are no holes to drill and no bolts to tighten. Not only is the 'in-body' mounting method easier to install, it also ensures the warning signal is projected where it is needed, directly into the hazard zone at the rear of the vehicle.

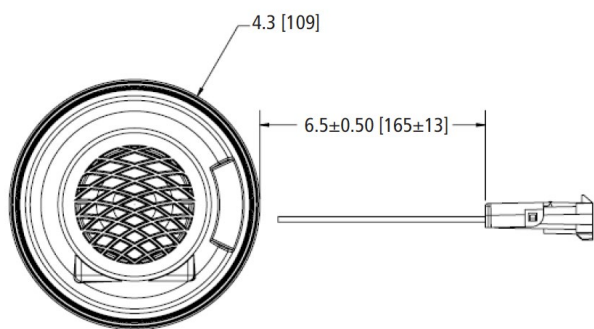
### Features and Benefits

- Grommet mount reduces installation time, requiring no tools
- PL3 Delphi trailer connector included
- Directs warning to rear of vehicle
- For use with standard 4.5" rear lighting grommet (order separately)
- Temperature Range: -40°F to +185°F (-40°C to +85°C)

### Tech Specs

Alarm Type	Dual Function
Voltage	12-24V DC
Amps	0.5A 12V DC
Decibel	102Db
Mounting	4.5" standard rear lighting grommet
Connection	(3)16 AWG wires with connector
Housing	Fiberglass reinforced nylon
Standards Compliances	SAE Type F, IP55, R10
Warranty	2 Years

Part No.	Description
DF445	Dual Function, 12-24V DC, 102Db, 0.5A @ 12V DC



Authorised Importer and Master Distributor

