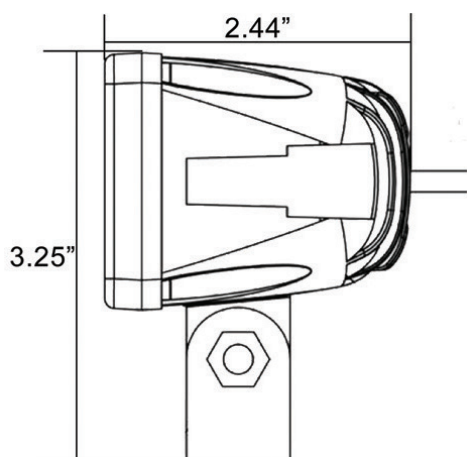
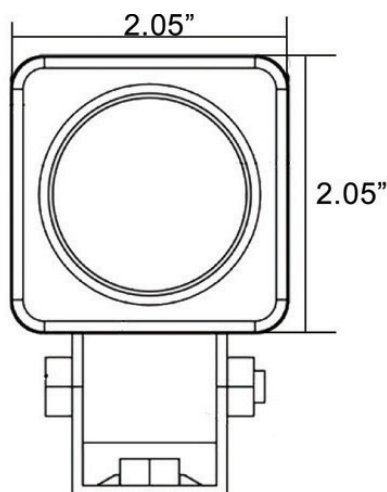


Vision X Solstice Solo Pod

LED Work Light



Description

The Vision X Solstice Solo Pod LED Work Light is a 10W work light with a high output 2" square compact design that provides the ultimate usability and portability. The Vision X LED pod light outputs 1,052 raw lumens from a single 10-Watt LED and outshines most factory halogen headlights. Vision X uses top-binned LEDs, guaranteeing that you'll have the most lumen output your dollar can buy.

Compact Form

All those raw lumens come out of a housing that is only 2" wide. Featuring a single-bolt mounting system, you'll be able to take the Solstice Solo Prime anywhere, anytime.

Accessories

The Solo was designed to be used in many different applications and has the option to expand into other uses via available accessories. Battery packs, mounting accessories like handles and flush mounts, and the Omni-Link Connectors all make the Solstice Solo one of the most diverse LED Lights on the market.

Features and Benefits

- Highest Light Output Per Cubic Inch on the Market
- Expand to Create Multiple Bar Solutions
- Less than 1 Amp Power Consumption
- Omni-Link Interlocking System
- Adjustable Mounting Bracket

Applications

Mining and high vibration applications

Tech Specs

Type	LED Work Light, LED Work Lamp
Available Housing Color	Black or White
Available Beam Patterns	10° Narrow, 30° Medium, 60° Wide or 30°/60° Elliptical Beam
eLumens	736 Lu
rLumens	1052 Lu
Wattage	10W
Optic Purity	88%
Driven At	80%
Input Voltage	9-48V DC
Amp	0.83A @ 12V DC
IP Rating	IP68
Vibration Rating	15.6 Grms
Operating Temperature	-40 Celsius ~ +80 Celsius
LED Lifespan	50,000 hrs
Warranty	3 Years / Extended
Weight	0.76 lbs / 0.34 kg
Dimensions (WxHxD)	2.05" x 3.25" x 2.44" inches (52.07 x 82.55 x 61.97mm)

Part No.	Description
XIL-S1110	Vision X Solstice Solo LED Pod 60° Beam
XIL-S1130	Vision X Solstice Solo LED Pod 15° Beam
XIL-S1160	Vision X Solstice Solo LED Pod 35° Beam
XIL-S11E3065	Vision X Solstice Solo LED Pod 10° Beam



Authorised Importer and Master Distributor

