

# ABL 500 LED850

## 500 Series, 850 Lu, 6W work lamp



### Description

The ABL 500 LED series work lights are designed to exceed everyday demands in all applications. Through this service light version, ABL provides an attractive LED product for close range lighting needs. ABL 500 LED SL offers a very low consumption solution where high reliability and cost efficiency is required.

### Features and Benefits

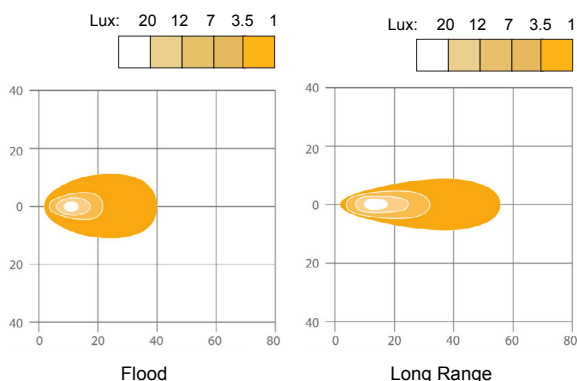
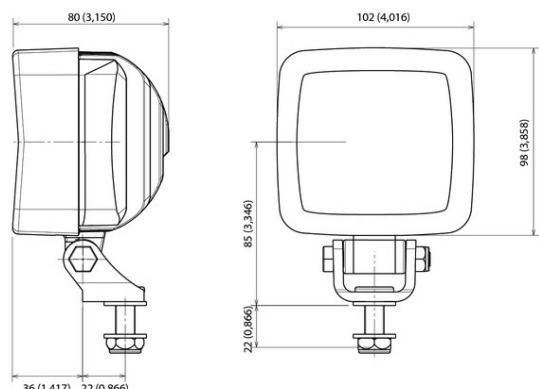
- Designed to exceed everyday demands in all applications
- Stringent engineering and testing practices
- Highest efficiency and durability in the harshest conditions
- 850 effective lumens from only 11W
- 15Grms @ 24-2000Hz Vibration and 60G Shock rating
- IP68, IP69K rating

### Applications

Construction, mining, support vehicles, material handling, agriculture, forestry

### Tech Specs

Bulb	12 LEDs
rLumens	1470Lu
Color Temperature	6000K
Light Pattern	Flood, Long Range
Consumption	6W
Voltage	12-24V multi
Intensity	0.25A @ 24V
Polarity	Protected against reverse voltage
Water Tightness	IP68 - IP69K
Operating Temperature	-40°C to +60°C
Salt Spray	ISO 9227
Housing	Plastic / aluminium
Lens	Hardened glass
Reflector	Free form reflector
Warranty	5 years



Part No.	Beam	Voltage
SL850F	Flood	12-24V DC multi
SL850LR	Long Range	12-24V DC multi



Authorised Importer and Master Distributor

