

LF30 Series LED Flood Light



Description

The LF30 series comes in three wattage sizes - 100W, 150W and 200W. This light is specially designed for hoist and lifting cranes working at ports and quays, container yards, large-scale buildings, etc.

Features

- IP65 provides ingress protection for onshore application
- State-of-the-art Philips LED chips providing high reliability and stability
- Shockproof and corrosion resistant
- Adjustable mounting bracket
- Lead line or Terminal wiring type.
- Multiple power consumptions can be selected
- Hollowed-out grid design for optimised heat dissipation
- Light-weight aluminium alloy body with safety chain to improve protection capacity
- Select from multiple lighting angles (25° or 60°)
- Certificates: CE, SAA

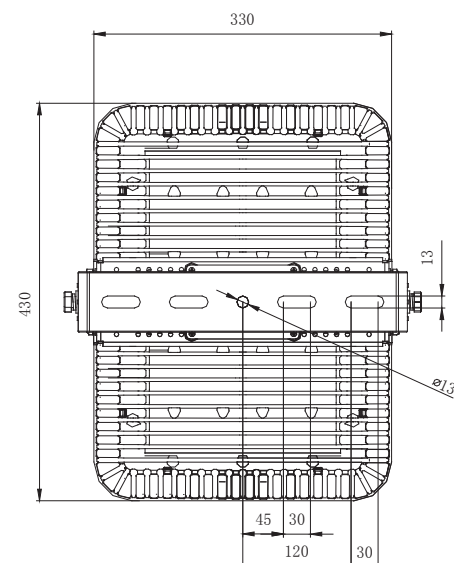
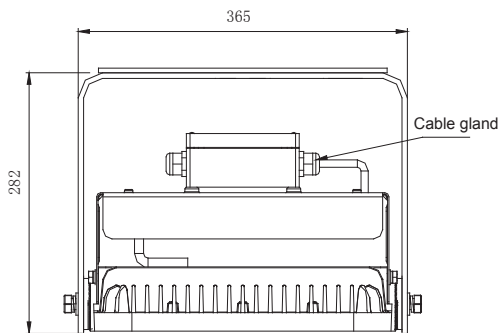
Applications

Port terminals, quays, industrial, hoist and cranes, container yards, buildings

Tech Specs

Type	LEDs
Light Efficacy	90 Lu/W
Color Temperature	5500K-6000K (no fog), 3000K-3500K (light fog), ≤2700K (heavy fog)
Color Rendering Index	Cold white: Ra=75, Warm white: Ra=80
Voltage	100~240V AC (50Hz~60Hz)
Wattage	LF301A: 100W, LF302A: 150W, LF303A: 200W
Beam Angle	10°, 25°, 60°
Humidity	10% ~ 95% (no coagulation)
Operating Temperature	-30°C to +60°C
Housing	Aluminum
IP Rating	IP65
Weight	LF301A: 19.8 lbs (9kg), LF302A: 22 lbs (10kg), LF303A: 24.3 lbs (11kg)
Dimensions (D, W, H)	13x14.1x17.7" (331x359x450mm)

Part No.	Beam Angle	eLumens	Voltage	Watts
LF301A	10°, 25°, 60°	9,000 Lu	100~240V AC	100W
LF302A	10°, 25°, 60°	13,500 Lu	100~240V AC	150W
LF303A	10°, 25°, 60°	18,000 Lu	100~240V AC	200W



Authorised Importer and Master Distributor

