

ABL Alpha 175 LED

Compact Depth



Description

The Alpha 175 LED is a compact depth auxiliary light designed for off and on road applications. The full LED optical unit offers unmatched resistance to vibration and ensures added safety through outstanding performance. The Alpha 175 LED comes in 8W and 13W models.

Features and Benefits

- ECE Pilot Light LED
- IP Rating: IP67, IP69K
- Salt Spray: ISO 9227 (240h)
- Lens: hardened glass
- Dim (DxWxH): 4.094x6.889x5.197" (80x102x132mm)
- Weight: 2.42 lbs (1.1kg)

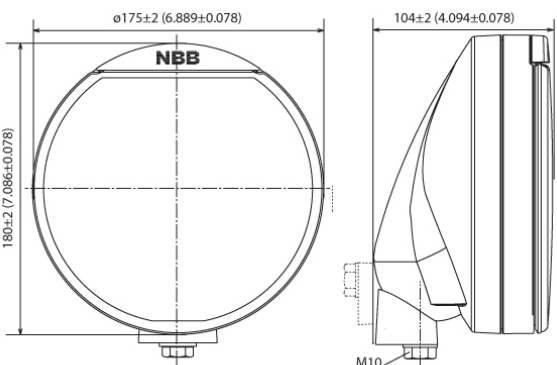
Applications

On and Off-road applications (e.g. long-haul trucks, 4WDs, etc)

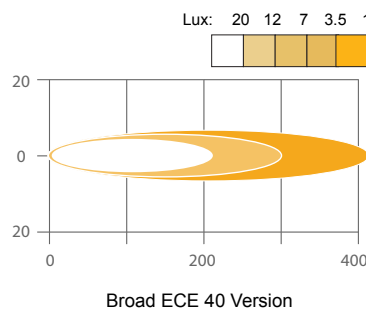
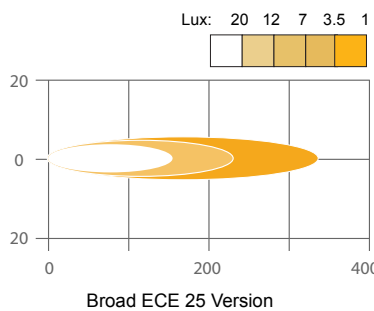
Tech Specs

Bulb	LED modules
Colour Temperature	5700K
Light Pattern	ECE Pilot Light LED, ECE Broad Class 25, ECE Broad Class 40
Consumption	8W for ECE 25 version 13W for ECE 40 version
Voltage	12-24 multi-voltage
Current Draw	0.33A @ 24V DC for ECE 25 version 0.54A @ 24V DC for ECE 40 version
Mounting	Pedestal, suspended
Connection	Wiring harness
Polarity	Protected against reverse voltage
Water Tightness	IP 67 - IP 69K
Operating Temperature	-40°C to +60°C
Salt Spray	ISO 9227 - 240h
Housing	Black fibre reinforced plastic
Lens	Hardened glass
Reflector	Free form steel reflector
Warranty	5 years
Weight	2.42 lbs (1.1kg)
Dimensions (DxWxH)	4.094x6.889x5.197" (80x102x132mm)

Part No.	Beam	Voltage	Amps (24V)	Watts
ALPHA175-25	ECE Broad Class 25	12-24V multi	0.33A	8W
ALPHA175-40	ECE Broad Class 40	12-24V multi	0.54A	13W



Dimension unit in mm (10th inch)



Authorised Importer and Master Distributor

