

J.W. Speaker A770 Red / Blue



5" x 3" LED Safety Lamps



Description

The Model 770 BLU and 770 RED represents a new way of thinking about visual safety devices. Traditional visual warning devices (ex. strobes) are most effective when a pedestrian is able to see the fork lift coming. It projects a bright, highly concentrated blue beam pattern on the ground in the direction that the fork lift is moving.

Features and Benefits

- Lens: durable glass
- Xenoy housing and universal trunnion mount
- Electrical Connection: integrated 2-Pin Deutsch Weatherproof Socket (DT04-2P)
- Surge: 150V Peak @ 1Hz-100 Pulses
- Dim (DxWxH): 4.02x10.18x4.87" (102.3x258.5x128.8mm)
- Weight: 2.60 lbs (1.18kg)
- Warranty: 5 years, IP Rating: IP69K

Applications

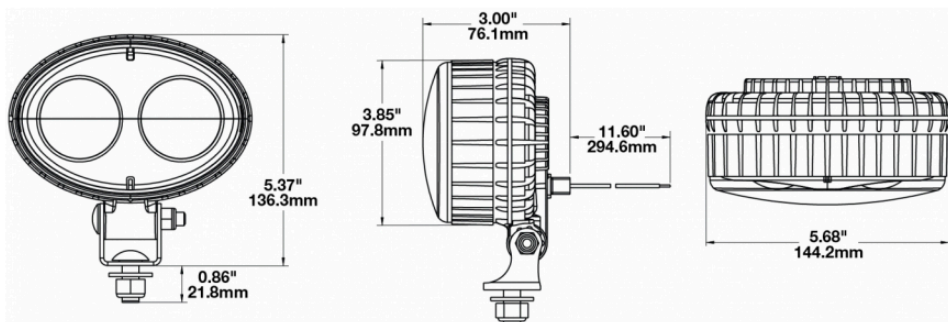
Material Handling.

Tech Specs

Description	12-110V LED Blue Safety Spot Light 12-110V LED Red Safety Spot Light
Dimensions (HxWxD)	137.16 x 144.27 x 87.88 mm (5.4 x 5.68 x 3.46" inches)
Shape	Oval
Housing Material	Polycarbonate
Housing Color	Black
Mounting Hardware	(x1) M10-1.5 x 22mm
Mounting Type	Universal Pedestal Mount
Minimum Operating Temperature	-40°C / -40°F
Maximum Operating Temperature	65°C / 149°F
Connector or Wiring	Integrated
Mating Connector	AMP (#180923)
Product Weight	1.31 (lbs) / 0.59 (kgs)
Input Voltage	12-110V DC
Operating Voltage	9-120V DC
Red Wire	Positive
Black Wire	Negative
Current Draw	0.50A @ 12V DC 0.12A @ 60V DC 0.08A @ 110V DC



Product	Beam	Type	Voltage	Amps (12V)	IP Rating
770-BLU	Spot	Material Handling Safety Light	12-110V DC	0.50A	IP69K
770-RED	Spot	Material Handling Safety Light	12-110V DC	0.19A	IP69K



Authorised Importer and Master Distributor

