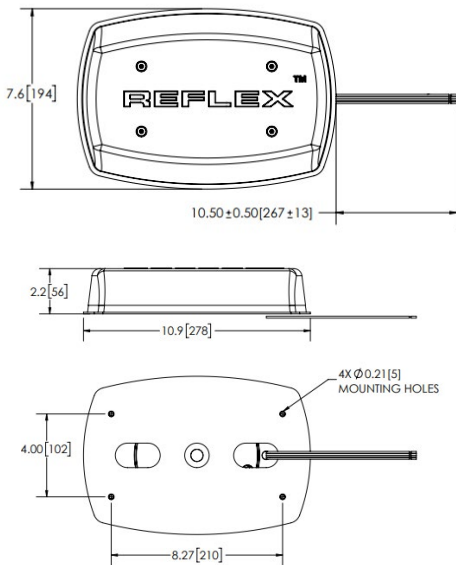


ECCO 5545 / 5550 Reflex Series

11" LED Microbars



Accessories	Description
R5545LA	ECCO 5545 Series LED Minibar spare amber lens
R5545LC	ECCO 5545 Series LED Minibar spare clear lens

Description

These Reflex™ LED minibars provide a super-compact yet powerful warning solution that offers the flexibility of either permanent or vacuum-magnet mounting. The new Ecco 11" Reflex LED Minibars are the latest edition to the Reflex Minibar Series. They represent more than 25% reduction in size from the standard 15" / 381mm Minibars yet provide an output that still meets Class I & Class II specifications. Perfect where you need a low profile beacon with the benefits of high aerodynamics and low wind noise, and with the lighting punch of a standard minibar. These minibars fit well on custom lighting bars and are built rugged for your industrial applications. Featuring 12-24 VDC operation, these minibars use high-intensity LEDs to maximise light output. Users can select from 18 flash patterns, either via trigger wire on permanent mount models or cigarette plug switch on vacuum-magnet models. The 5550 Series minibar is a SAE J845 Class 1 fixture, whilst the 5545 Series minibar is a SAE J845 Class 2 fixture.

Features and Benefits

- Permanent Mount or Magnetic with Cigarette Plug
- Four LED reflector modules, each containing six LEDs
- 5550 Series features 12 LEDs per module, 48 total (SAE J845 Class 1)
- 5545 Series features 6 LEDs per module, 24 total (SAE J845 Class 2)
- Choice of 18 flash patterns
- Cigarette plug with on/off and flash pattern selection switch
- Temperature Range: -22°F to +122°F (-30°C to +50°C)
- Warranty: 3 years

Applications

Construction, traffic management, emergency, mining, road works

Tech Specs

Type	LEDs
Light Source	12 LEDs per module, 48 total (5550 Series), 6 LEDs per module, 24 total (5545 Series)
LED Colours	Amber, Amber/Clear, Amber/Blue, Amber/Green, Amber/Red
Dome Colours	Amber, Clear
Flash Patterns	18 Flash Patterns (5550 Series syncable with existing Reflex minibars)
Input Voltage	12-24V DC multi
Current Draw	2.7A @ 12V DC (5550 Series), 0.7A @ 12V DC (5545 Series)
Approvals	SAE J845 Class 1 (5550 Series), SAE J845 Class 2 (5545 Series), CE, R10
Housing	Polycarbonate base & low profile lens
Mount	Permanent (bolt base), Vacuum-Magnet
Operating Temperature	-22°F to +122°F (-30°C to +50°C)
Length	11" (279.4mm)

Part No.	Description
5550A	ECCO 5550 Series LED Minibar, SAE J845 Class 1, bolt base, amber lens, amber LEDs
5550CA	ECCO 5550 Series LED Minibar, SAE J845 Class 1, bolt base, clear lens, amber LEDs
5550CAC	ECCO 5550 Series LED Minibar, SAE J845 Class 1, bolt base, clear lens, amber and clear LEDs
5550A-VM	ECCO 5550 Series LED Minibar, SAE J845 Class 1, magnetic base, amber lens, amber LEDs
5550CA-VM	ECCO 5550 Series LED Minibar, SAE J845 Class 1, magnetic base, clear lens, amber LEDs
5550CAC-VM	ECCO 5550 Series LED Minibar, SAE J845 Class 1, magnetic base, clear lens, amber and clear LEDs
5545A	ECCO 5545 Series LED Minibar, SAE J845 Class 2, bolt base, amber lens, amber LEDs
5545CA	ECCO 5545 Series LED Minibar, SAE J845 Class 2, bolt base, clear lens, amber LEDs
5545A-VM	ECCO 5545 Series LED Minibar, SAE J845 Class 2, magnetic base, amber lens, amber LEDs
5545CA-VM	ECCO 5545 Series LED Minibar, SAE J845 Class 2, magnetic base, clear lens, amber LEDs
5550CAB	ECCO 5550 Series LED Minibar, SAE J845 Class 1, bolt base, clear lens, amber and blue LEDs
5550CAB-VM	ECCO 5550 Series LED Minibar, SAE J845 Class 1, magnetic base, clear lens, amber and blue LEDs
5550CAG	ECCO 5550 Series LED Minibar, SAE J845 Class 1, bolt base, clear lens, amber and green LEDs
5550CAG-VM	ECCO 5550 Series LED Minibar, SAE J845 Class 1, magnetic base, clear lens, amber and green LEDs
5550CAR	ECCO 5550 Series LED Minibar, SAE J845 Class 1, bolt base, clear lens, amber and red LEDs
5550CAR-VM	ECCO 5550 Series LED Minibar, SAE J845 Class 1, magnetic base, clear lens, amber and red LEDs



Authorised Importer and Master Distributor



APS USA
610 Gateway Center Way, Suites J & K
San Diego, CA 92102 USA
P: 1 619 263 4164
F: 1 619 263 6814

APS Australia
U48 / 9 Vision Street,
Wangara, WA 6065 Australia
Phone: 61 (8) 9302 2369
Fax: 61 (8) 6305 0047

APS: Singapore
Colombia
Chile
Perú
Brasil

