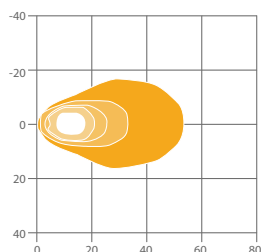


ABL C700 LED850

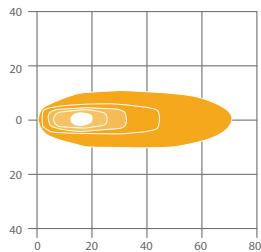
Compact Series



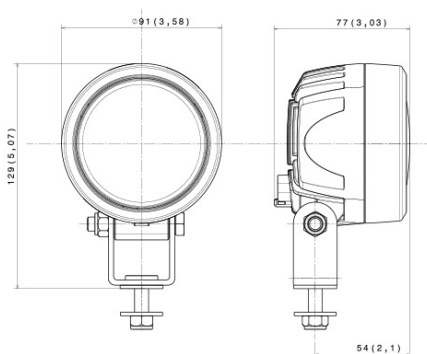
Lux: 20 12 7 3.5 1



Flood



Long Range



Description

The LED850 is a compact LED-powered work lamp in the C700 series by ABL Lights Group. This 11W version features 8 LED bulbs and pumps out an impressive 850 Lumens. Built tough with a shock rating of 60G, a vibration rating of 15Grms @ 24-2000Hz, and high ingress protection rating of IP68 and IP69K, this lamp exceeds everyday demands in all applications from handling equipment to heavy vehicles. The ABL C700 LED850 Compact is a direct replacement for the ABL 700 halogen work lamp, which uses a single 34W or 55W H3 bulb.

Application

Heavy equipment, mining, construction, road and utility equipment, forestry, agriculture

Tech Specs

Light source	8 LEDs
Colour Temperature	6000°K
eLumens (effective)	850 Lu
rLumens (raw)	1470 Lu
Beam Pattern	Flood, Long Range
Wattage	11W
Current Draw	0.46A @ 24V DC
Voltage	12-24V DC multi
Operating Temperature	-40°C to +85°C
Vibration Resistance	15Grms @ 24-2000Hz
Shock Resistance	60G
EMC	ISO 13766 - Earthmoving Equipment ISO 14982 - Forestry/Agricultural ISO 12985 - Handling Equipment CISPR25 - Radio compatibility
Load Dump	36V continuous / 72V 100 ms / 1800V 50 µs
Polarity	No polarity
Connection	Built-in DT 2 ways
Lens	Hardened glass
Reflector	Free form reflector
Electronic Thermal Management	Full output @ +35°C ambient 20% dimmed @ +50°C ambient
IP Rating	IP68, IP69K
Salt Spray	ISO 9227
Mounting	Pedestal, suspended
Weight	1.1 (lbs) / 0.5 (kgs)
Dimensions (DxWxH)	3.03x3.58x5.07" (77x91x129mm)

Part No.	Beam	eLumens	Voltage	Amps (24V)	Watts
C700-LED850-F	Flood	850 Lu	12-24V DC multi	0.46A	11W
C700-LED850-LR	Long Range	850 Lu	12-24V DC multi	0.46A	11W



Authorised Importer and Master Distributor

