

# ABL C700 LED1200

## Compact Series



### Description

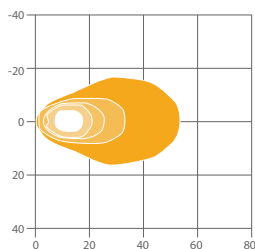
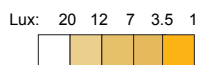
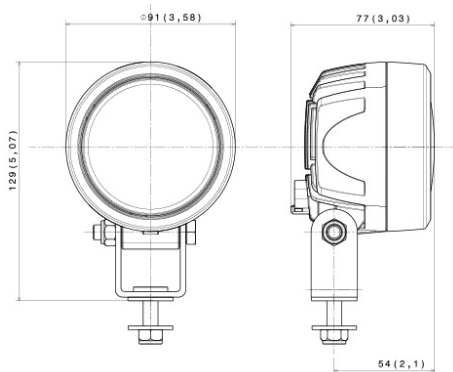
The LED1200 is the 16W version of the C700 series of LED-powered work lamps by ABL Lights Group. This lamp features 8 LED bulbs and pumps out an impressive 1200 Lumens. It features a 60G shock rating, 15Grms @ 24-2000Hz vibration rating, and IP68 and IP69K rating. Through stringent engineering and testing practices, ABL ensures the highest efficiency and durability in even the harshest operating conditions. The ABL C700 LED1200 Compact is a direct replacement for the ABL 700 halogen work lamp, which uses a single 70W H3 bulb.

### Application

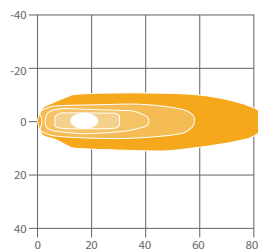
Heavy equipment, mining, construction, road and utility equipment, forestry, agriculture

### Tech Specs

Light source	8 LEDs
Colour Temperature	6000°K
eLumens (effective)	1200 Lu
rLumens (raw)	1890 Lu
Beam Pattern	Flood, Long Range
Wattage	16W
Current Draw	0.66A @ 24V DC
Voltage	12-24V DC multi
Operating Temperature	-40°C to +85°C
Vibration Resistance	15Grms @ 24-2000Hz
Shock Resistance	60G
EMC	ISO 13766 - Earthmoving Equipment ISO 14982 - Forestry/Agricultural ISO 12985 - Handling Equipment CISPR25 - Radio compatibility
Load Dump	36V continuous / 72V 100 ms / 1800V 50 µs
Polarity	No polarity
Connection	Built-in DT 2 ways
Lens	Hardened glass
Reflector	Free form reflector
Electronic Thermal Management	Full output @ +35°C ambient 20% dimmed @ +50°C ambient
IP Rating	IP68, IP69K
Salt Spray	ISO 9227
Mounting	Pedestal, suspended
Weight	1.1 (lbs) / 0.5 (kgs)
Dimensions (DxWxH)	3.03x3.58x5.07" (77x91x129mm)



Flood



Long Range

Part No.	Beam	eLumens	Voltage	Amps (24V)	Watts
C700-LED1200-F	Flood	1200 Lu	12-24V DC multi	0.66A	16W
C700-LED1200-LR	Long Range	1200 Lu	12-24V DC multi	0.66A	16W



Authorised Importer and Master Distributor

