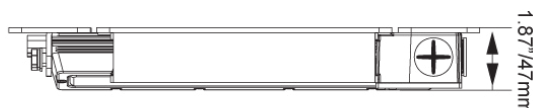
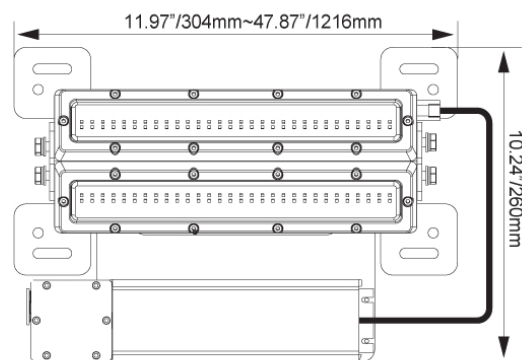


Vision X Cube Shockwave

Dual LED Panel Light



Description

The Cube LED Shockwave pairs Vision X Lighting's new Cube LED technology with the durability and versatility of the Shockwave series. The Shockwave is available in 1, 2, 3, and 4' lengths and in single and dual panel designs for various application needs. The dual panel Shockwave provides a 210° beam spread for optimal flood lighting.

Cube LED Technology

The new Cube technology from Vision X Lighting features direct 48V DC lights specifically designed to be paired with a high performance LED driver to offer 110-277V AC input. Reduced electronics enable higher efficiency and less heat for a consistently longer life span. Cube LEDs are not designed for use with an optic, but rather deliver a 210° beam spread independently for even distribution of illumination.

Features and Benefits

- Utilizes cube LED technology to increase efficiency
- Integrated Electronic Thermal Management (ETM)
- Direct fluorescent fixture replacement
- Reinforced gasketed Bezel

Applications

Industrial, commercial, fluorescent replacement

Tech Specs

Lengths	Dual 12 and 24" (304 and 610mm)
Beam	210°
Vibrating Rating	15.6G
Voltage	110-277V AC
Amps	0.87A and 1.75A
Wattage	96W and 192W
eLumens	8,670 Lu and 17,350 Lu
rLumens	10,848 Lu and 21,696 Lu
IP Rating	IP68/69K
Warranty	3 Years/Extended

Part No.	Description
CSWD96PE	Vision X Cube Shockwave Dual LED Panel Light: Dual 12" (304mm)
CSWD192PE	Vision X Cube Shockwave Dual LED Panel Light: Dual 24" (610mm)



Authorised Importer and Master Distributor

