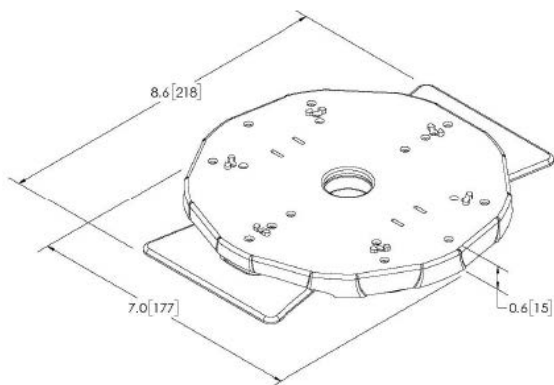


ECCO Semi-Permanent Mount

High Bond Tape Kit



Description

ECCO's self-adhesive mounting base utilizes high-bond tape to provide a semipermanent, durable mounting solution. Designed for the toughest of jobs, the high-bond tape allows for countless mounting locations and is strong enough to meet the demand of heavy-duty applications. The mount pairs well with most ECCO beacons and minibars and offers easy, stress-free mounting when applied correctly.

Kit Includes

- Mounting base
- High bond tape strips
- Alcohol pads for cleaning
- Installation instructions

Compatibility

- Standard MG Mounts

Applications

Vehicles and Machinery

Installation Instructions

- Wipe base thoroughly and apply adhesive strips
- Find flat surface on vehicle roof, clear of ridges/bumps
- Thoroughly clean the mounting surface with alcohol pad supplied, ensure that it is dry
- Remove backing from adhesive strips
- Ideal application temperature is 70°F-100°F, if it is colder than 85°F, use heat gun to warm adhesive. Do not heat past blistering. Application temperature has a large effect on how quickly full bond is achieved
- Place plate with arrow pointing to the front of vehicle
- Apply firm, uniform pressure to plate to ensure full contact of adhesive (15 PSI is ideal)
- Wait at least 20 minutes before applying load
- This is a single-use mount. It must be replaced if it is removed from initial installation.

Part No.	Description
EC-EZ5500HBTK	Semi-Permanent Mount for 5580, 5585, 5587, 5590 and 5597 Series
EC-EZ6000HBTK	Semi-Permanent Mount for 5545, 5550, 6500, 6900 and 7900 Series
EC-EZ6465HBTK	Semi-Permanent Mount for 6465 Series

Authorised Importer and Master Distributor

