

Colehersee 75907 DPST

Double Pole Switches Series



Description

Each pole handles 125A (continuous) at up to 36V DC.

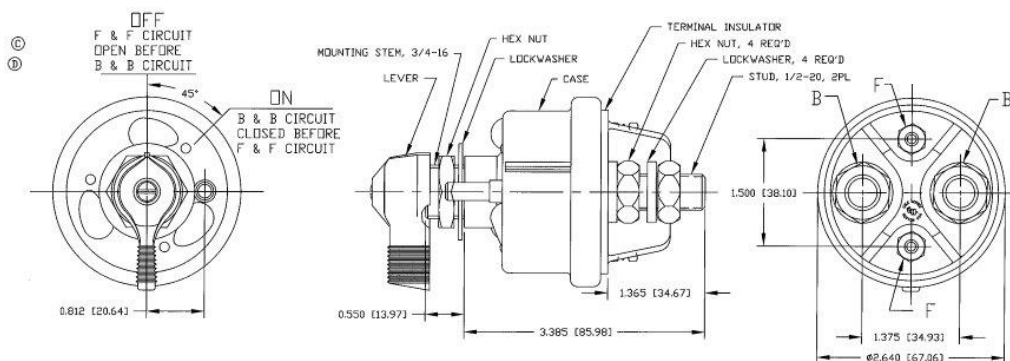
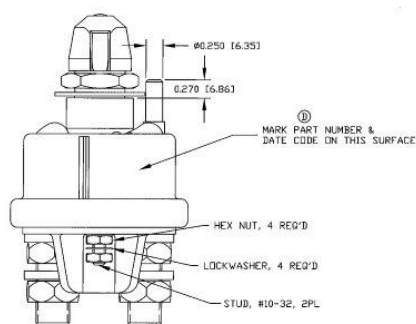
Features and Benefits

- Controls two systems, or it can be used to disconnect both positive and negative of the same circuit (which is required in some countries.)
- Contact ratings: 125A continuous, 750A intermittent.
- Silver contact surfaces. Epoxy-sealed and gasket-sealed.
- Both poles are separately insulated.
- Compatible with Littelfuse lock-out kits.
- Four 3/8" -24 stud terminals. Lockwasher and two brass hexnuts per stud are provided.
- 3/4" -16 thread. Fits panels up through 1/4" (6.4mm).
- O-ring seal in mounting stem; gasket seal at terminal insulator. Epoxy seal at case, mounting stem and locating pin.
- Heavy duty plated steel case.

Tech Specs

Details	Double Pole Off-On - Disconnects battery and field circuits
Contact Rating	6-36 Vdc; Large studs-2000A intermittent 30 sec. On 3 min. Off; 300A continuous. Small studs-20A continuous
Actuator	Lever
Case	Plated Steel
Installation	3/4 inch through hole
Mounting Stem	3/4 - 16 thread fits panel through 1/4 thick
Mounting Torque	20ft lbs (27 Nm)
Stud Torque	4.4 to 7.4 ft lbs (6-10Nm)
Operating Temperature	-40 °C to +29C °C

Part No.	Description
COL-75907	300A continuous at 12V DC



Authorised Importer and Master Distributor

