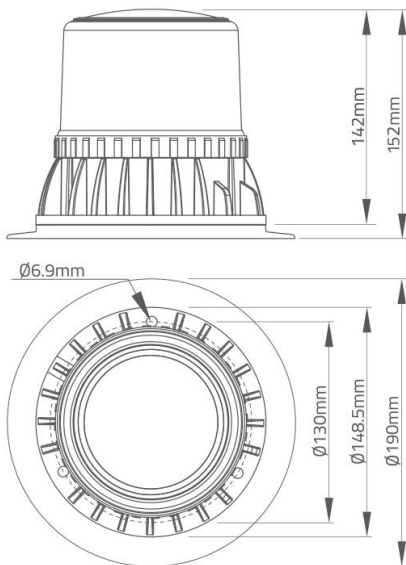


BFR1000

25 Watt Rotating LED Beacon



Description

25 Watt Rotating LED Beacon, Die-cast Alloy Base, SAE J845 Class 1

Introducing the Britax BFR1000 rotating LED beacon! Featuring unique CyclOne LED Technology with high reflectivity free-form rotating reflector and two rotation speeds and directions.

Features and Benefits

- Unique CyclOne LED Technology
- High reflectivity free-form rotating reflector
- Two rotation speeds at 120rpm and 180rpm (user selectable)
- Selectable rotation direction (clockwise, anti-clockwise)
- 30% dimmable mode for night use (user selectable, bolt base only)
- Gasket sealed tough polycarbonate lens with smooth exterior
- Gel-filled heavy duty die-cast alloy base
- Bolt base: three-hole ISO footprint, rubber mounting gasket
- Bolt base: bottom or side entry power cable, stainless steel fittings
- Magnetic base: 1–3 metre curly cord, cigarette and merit plug
- SAE J845 Class 1 beacon, EMC: R10, RCM, IP67

Applications

Heavy Duty Machinery, Mining, Vehicles, Trucks

Tech Specs

Voltage	10-30V Multivoltage
Amperage	Max 2.0A @ 12V DC, Avg 1.3A @ 12V DC
Globe	LED
Lens Material	Polycarbonate
Base	Die-cast Alloy
Mounting	Three Bolt, Suction Magnetic
Series	Britax BF Series LED Beacons
Dimensions	H 142mm x Ø 148.5mm
Approvals	RCM, SAE Class 1, All categories, EMC ECE R10, IP67 Rated
Lens Colour	Amber
Brand	Britax
Application	Heavy Duty

Part No.	Description
BFR1000-00-B	Amber lens, bolt base, three hole mount, die-cast alloy
BFR1004-00-S	Amber lens, suc/mag base, 1–3M curly cord, cig and merit

Replacement Part No.	Description
BFR1000A-SA	Spare Amber lens
BFR1000C-SC	Spare Clear lens



Authorised Importer and Master Distributor

